

**ILLUSTRATED
PARTS
BREAKDOWN**

**220QH
PEDESTAL SYSTEM**

HOW TO USE THE IPB

GENERAL

This IPB is compiled following the organization and nomenclature of the engineering drawing structure.

MAJOR ASSEMBLY LOCATOR (When Applicable)

The Major Assembly Locator (first illustration) is an index that provides a description and a figure reference for all illustrations used in this manual.

INDENTED PARTS LIST

This manual identifies each assembly being broken down (figure reference callout), and all parts of that assembly. Further breakdown of an assembly is shown by an asterisk (*) preceding the item callouts in the Description Column. The number of asterisks preceding an item is used to denote the subordination of that item with respect to the Major Assembly. A single asterisk preceding an item description indicates that the item is part of the major assembly being illustrated. Items that are subordinate to single asterisks items, are denoted by two asterisks (**) and immediately follow the related single asterisk item. This system of part identification provides a means for the user to identify the next higher assembly item and make alternate selections for parts when the required replacement part of assembly is not immediately available.

COLUMN CALLOUT DESCRIPTION

Figure and Item - Indicates the figure number and item number of each part.

Description - Lists the name of the part and pertinent specifications (when required). Asterisks preceding the description denote the subordination of the part to the next higher assembly.

DEC Part No. - Lists the Digital part ordering number. A blank in this column indicates a Digital part number was not assigned at the time of publication.

ECO Cut-In - The notation at the top of this column indicates the ECO level of the system (option), at which the IPB was initially prepared. Subsequent ECO level designations, that modify existing parts or add new parts to the device, are inserted in the ECO Cut-In column next to the part that is added or modified.

Used On Code - Letters in this column correspond to the variation codes assigned in Figure 1. Parts with an Alpha notation(s) are used only in those option variations. A blank indicates that the part is used on all option variations.

Ref Fig No. - A cross reference between illustrations. For each Major Assembly, the number in this column denotes the figure of the next higher assembly. For all subassemblies, the number in this column denotes the figure showing additional detailed breakdown.

PART NUMBER/PART DESCRIPTION INDEX SECTION

Parts are indexed both numerically and alphabetically by description, referenced to a location within the IPB, by figure number and item number.

REVISION HISTORY

RELATED IPB INFORMATION

| PRINTING | ECO LEVEL | |
|--------------|-----------|-------------|
| 1st Printing | 220QH | 00000-00000 |
| | 70-25775 | 00006-00006 |
| DATE | | |
| 17-DEC-90 | | |

ENCLOSURE LEVEL:
EK-440AA-IP

MASS STORAGE:
EK-441AA-IP

Digital Equipment Corporation reserves the right, without notice, to make substitutions and modifications in the specifications of products documented in this manual and further reserves the right to withdraw any of these products from the market without notice.

Digital Equipment Corporation is not responsible for errors which may appear in the technical description (including illustrations and photographs) of the products covered by this manual.

None of the descriptions contained in this manual imply the granting of any license whatsoever to make, use or sell equipment constructed in accordance therewith.

Restricted Rights: Use, duplication or disclosure by the U.S. Government is subject to restrictions as set forth in subparagraph (c) (1) (ii) of the Rights in Technical Data and Computer Software clause at DFARS 252.227-2713.

Copyright © 1990 by Digital Equipment Corporation. All rights reserved.

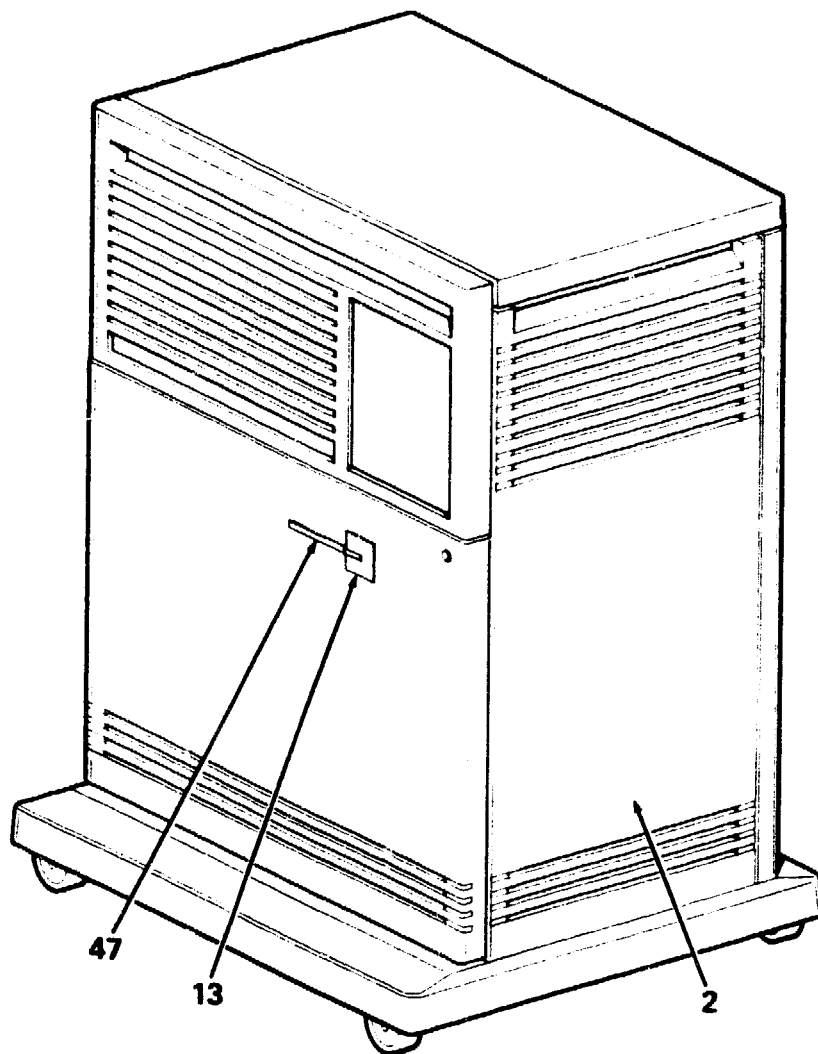
The postage-paid **READER'S COMMENTS** form on the last page of this document requests your critical evaluation to assist us in preparing future documentation.

The following are trademarks of Digital Equipment Corporation :



DEC
DECdirect
DECsystem
DECUS
PDP
UNIBUS
VAX

☐ ☐ INDICATES FRU LEVEL PARTS.



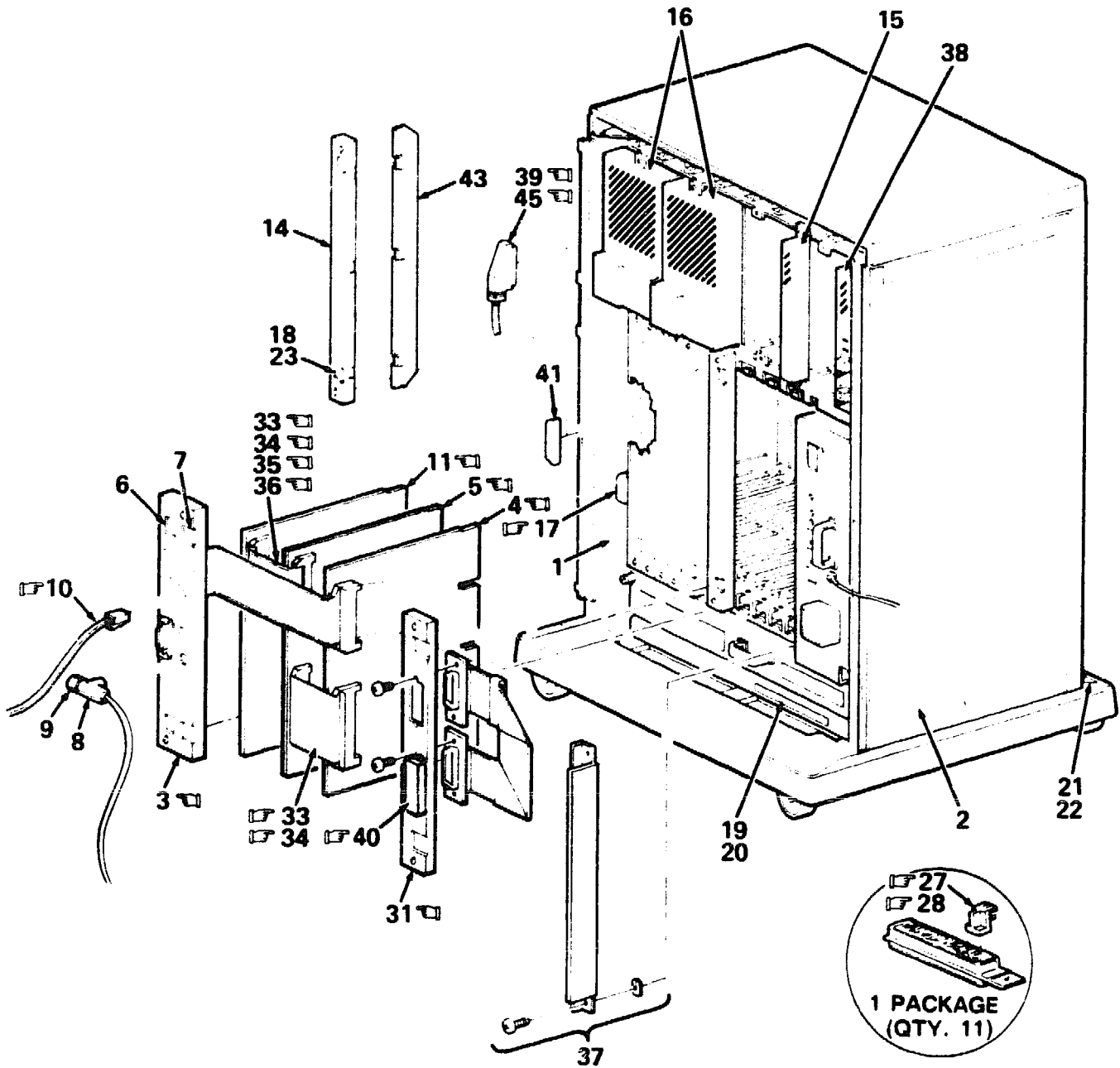
220QH-01-BD

Figure 1. 220QH Pedestal System (Sheet 1 of 2)

PARTS LIST



☐ ☐ INDICATES FRU LEVEL PARTS.



220QH-01A-BD

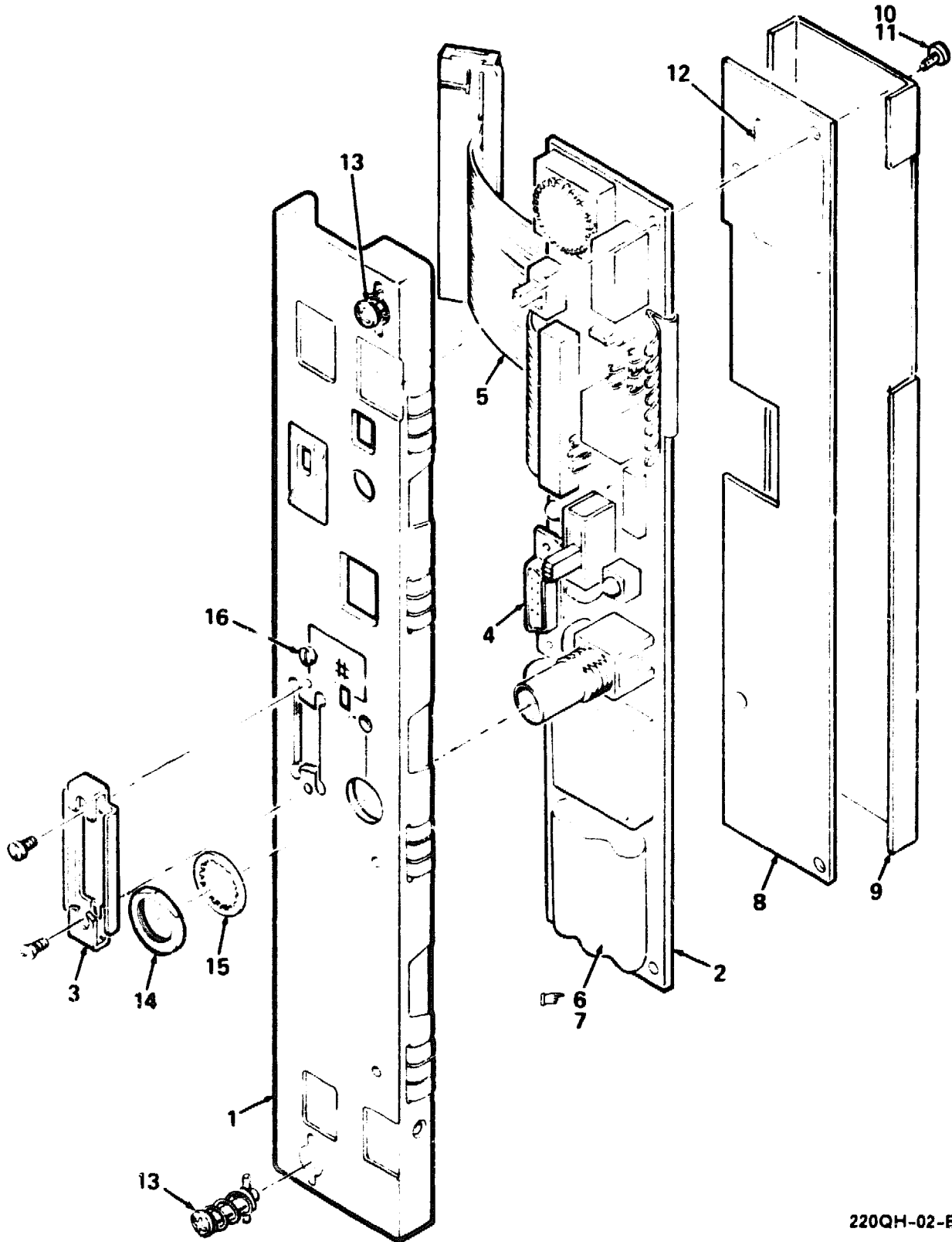
Figure 1. 220QH Pedestal System (Sheet 2 of 2)

PARTS LIST

| FIG. & ITEM NO. | DESCRIPTION | DEC PART NO. | ECO CUT-IN 220QH 00000 | USED ON CODE | REF FIG NO. |
|-----------------|----------------------------------------------------------------------|--------------|------------------------|--------------|-------------|
| 1- | 220QH PEDESTAL SYSTEM | | | | |
| | Code A - Used on 220QH-A9 120/240V (w/o Skins) | 220QH-A9 | | A | |
| | Code B - Used on 220QH-B9 120/240V (w/Skins) | 220QH-B9 | | B | |
| 1 | *Chassis Assembly, BA430 (w/o Skins) (See IPB Manual EK-440AA-IP) | 70-27437-01 | | A | |
| 2 | *Chassis Assembly, BA430 (w/Skins) (See IPB Manual EK-440AA-IP) | 70-27437-02 | | B | |
| 3 | *BULKHEAD ASSEMBLY, H3602 MODULE | 70-25775-03 | | | 2 |
| 4 | *Module, KN220 I/O | M7638-AA | | | |
| 5 | *Module, KN220 CPU | M7637-AA | | | |
| 6 | *Label, "Module Number M7637-AA" | 36-26883-A0 | | | |
| 7 | *Label, "Module Number M7638-AA" | 36-26883-A1 | | | |
| 8 | *Tee, BNC Coaxial | 12-25869-01 | | | |
| 9 | *Connector, BNC Coaxial | 12-26318-01 | | | |
| 10 | *Cable Assembly, 06 Conductor | 17-01364-02 | | | |
| 11 | *Module, KN220 32MB Memory (M7639-AA) | MS220-AA | | | |
| 12 | *Label, "Module Number M7639-AA" (Not Shown) | 36-26883-A2 | | | |
| 13 | *Medallion, DECsystem 5500 | 74-40913-07 | | B | |
| 14 | *Bulkhead Assembly, Front | 70-23981-01 | | | |
| 15 | *Bezel Assembly, Filler | 70-27414-01 | | | |
| 16 | *Bezel Assembly, Disk Drive | 70-27049-02 | | | |
| 17 | *Connector, DSSI Terminator | 12-29258-01 | | | |
| 18 | *Label, "BA2XX Rev" (Rolled) | 36-29163-07 | | | |
| 19 | *Label, "Serial/Model BA440, Made in USA" | 36-32668-01 | | | |
| 20 | *Label, "Serial/Model BA440, Made in UK" | 36-32668-02 | | | |
| 21 | *Label, "Pedestal BA440, Made in USA" | 36-32667-12 | | B | |
| 22 | *Label, "Pedestal BA440, Made in UK" | 36-32667-13 | | B | |
| 23 | *Label, "BA2XX Rev" (Sheeted) | 36-29164-07 | | | |
| 24 | *Package Assembly (Not Shown) | 37-01072-07 | | B | |
| 25 | *Package Assembly (Not Shown) | 37-01072-08 | | A | |
| 26 | *Label, "FTZ Postcard Series BA400" (Not Shown) | 36-30422-52 | | | |
| 27 | *Encoder Set, Lens (DSSI Unit ID Plug) | 12-28766-19 | | | |
| 28 | *Encoder Set, Lens (SCSI Unit ID Plug) | 12-28766-28 | | | |
| 29 | *Label, "Module Utilization" (Not Shown) | 36-27923-01 | | | |
| 30 | *Bag, 2 Mill Thick, Clear Poly Reclose (Not Shown) | 99-06557-30 | | | |
| 31 | *HANDLE, SCSI | 70-27464-01 | | | |
| | **Screw, Mach Flat Hd. No 4-40 x 7/16 | 90-00039-14 | | | |
| | **Cable Assembly, 50-Pin | 17-02665-01 | | | |

| FIG. & ITEM NO. | DESCRIPTION | DEC PART NO. ^{X13} | ECO CUT-IN 220QH 00000 | USED ON CODE | REF FIG NO. |
|-----------------|-----------------------------------------------------------------------------------------------------------------|-----------------------------|------------------------|--------------|-------------|
| 1- | | | | | |
| 32 | *Label, "Logo/Model, Serial" (Not Shown) | 36-33152-11 | | A | |
| 33 | *Cable Assembly, 100 Cond Flat (1-2 Mem.) | 17-02700-01 | | | |
| 34 | *Cable Assembly, 100 Cond Flat (3 Mem.) | 17-02700-02 | | | |
| 35 | *Cable Assembly, 100 Cond Flat (4 Mem.) | 17-02700-03 | | | |
| 36 | *Cable Assembly, 100 Cond Flat (5 Mem.) | 17-02700-04 | | | |
| 37 | *Bulkhead Assembly, Blank | 70-28083-02 | | | |
| 38 | *Control Assembly, System (See IPB Manual EK-440AA-IP) | 70-27044-01 | | | |
| 39 | *Cable Assembly, 50 Conductor Molded Shielded (BC06P-2F) (2.5 Ft.) | 17-02659-03 | | | |
| 40 | *Connector, SCSI Terminator | 12-30552-01 | | | |
| 41 | *Cover, 50 Pin IDC Connector | 12-33377-01 | | | |
| 42 | *Power Cord, 120V 10A (2.5M) (BN20A-2E) (US/Japan/Canada) (Not Shown) (See Note) | 17-00083-43 | | | |
| 43 | *Panel Assembly, Gap Filler | 70-24071-01 | | | |
| 44 | *Label, "Bar Code" (Not Shown) | 36-18460-06 | | | |
| 45 | *Cable Assembly, 50 Conductor Molded Shielded (BC06P-06) (6 Ft.) | 17-02659-02 | | | |
| 46 | *Documentation, VAX 4000 Installation Checklist (Not Shown) | EK-V4000-IN | | | |
| 47 | *Strip, Color | 74-40914-01 | | B | |
| | FRU ITEMS (Not Shown) | | | | |
| | *Backplane Assembly | 54-20181-01 | | | |
| | *Battery, NVRAM CPU 2.8V (Located On M7637-AA) | 12-33140-01 | | | |
| | *Cable, DSSI External Bulkhead | 17-02502-01 | | | |
| | *Cable, SCSI External Bulkhead | 17-02542-01 | | | |
| | *Module, Interface Card (Used On BA430 and BA400X Only). (Located Behind Blank Bulkhead Assembly, Item No. 37). | M9715-AA | | | |
| | NOTE: Reference Index For 240V Power Cords. | | | | |

☐ ☐ INDICATES FRU LEVEL PARTS.



220QH-02-BD

Figure 2. Bulkhead Assembly, H3602 Module

PARTS LIST

| FIG. & ITEM NO. | DESCRIPTION | DEC PART NO. | ECO CUT-IN 70-25775 00006 | USED ON CODE | REF FIG NO. |
|-----------------------|------------------------------------------------------------------------------|-----------------|------------------------------------|--------------------|-------------------|
| 2- | BULKHEAD ASSEMBLY, H3602 MODULE | 70-25775-03 | | | 1 |
| 1 | *Bulkhead Assembly, Front Dual | 70-23982-14 | | | |
| 2 | *Module, SLU Console | 54-17381-03 | | | |
| 3 | *Latch Assembly, 2 Piece Slide w/Hardware | 12-18489-04 | | | |
| 4 | *Latch Assembly, 15-Pin Slide w/o Hardware | 12-18489-03 | | | |
| 5 | *Cable Assembly, 5-Pin to 40-Pin Connector | 17-02666-01 | | | |
| 6 | *Battery, 3 Cell 3.75V .18ma Nicad (-01 Replacement For -00) | 12-19245-01 | | | |
| 7 | *Tape, Velcro | 12-26595-02 | | | |
| 8 | *Insulator, Shield | 74-37167-02 | | | |
| 9 | *Shield, H3602 | 74-42177-01 | | | |
| 10 | *Screw, Self-Tap Truss Hd No. 6 x 5/16 | 90-00063-78 | | | |
| 11 | *Washer, Flat | 90-06659-00 | | | |
| 12 | *Label, "Baud Select" | 36-26584-01 | | | |
| 13 | Fastener, 1/4 Turn (Not Part of This Assembly, Shown For Reference Only.) | 12-26948-01 | | | |
| 14 | *Nut, Hex No. 1/2-28 | 90-10563-01 | | | |
| 15 | *Washer, Internal Tooth Lock No. 6 (Bronze) | 90-00037-05 | | | |
| 16 | *Screw, Self-Tap Truss Hd No. 4 x 5/16 | 90-00063-02 | | | |
| | ITEMS (Not Shown) | | | | |
| | *Label, "Direct Thermal" | 36-28231-08 | | | |
| | *Package Assembly (Not Shown) | 37-00983-12 | | | |
| | | | | | Ω |

PART NUMBER/DESCRIPTION INDEX



**INDEX BY DEC PART NUMBER
220QH PEDESTAL SYSTEM**

| PART NO. | DESCRIPTION | FIG NO. | ITEM NO. |
|-------------|------------------------------------------------------------------------|------------|-------------|
| 12-18489-03 | Latch Assembly, 15-Pin Slide w/o Hardware | 2 | 4 |
| 12-18489-04 | Latch Assembly, 2 Piece Slide w/Hardware | 2 | 3 |
| 12-19245-01 | Battery, 3 Cell 3.75V .18ma Nicad (-01 Replacement For -00) | 2 | 6 |
| 12-25869-01 | Tee, BNC Coaxial | 1 | 8 |
| 12-26318-01 | Connector, BNC Coaxial | 1 | 9 |
| 12-26595-02 | Tape, Velcro | 2 | 7 |
| 12-26948-01 | Fastener, 1/4 Turn | 2 | 13 |
| 12-28766-19 | Encoder Set, Lens (DSSI Unit ID Plug) | 1 | 27 |
| 12-28766-28 | Encoder Set, Lens (SCSI Unit ID Plug) | 1 | 28 |
| 12-29258-01 | Connector, DSSI Terminator | 1 | 17 |
| 12-30552-01 | Connector, SCSI Terminator | 1 | 40 |
| 12-33140-01 | Battery, NVRAM CPU 2.8V (Located On M7637-AA) | 1 | Not Shown |
| 12-33377-01 | Cover, 50 Pin IDC Connector | 1 | 41 |
| 17-00083-43 | Power Cord 120V 10A (2.5M) (BN20A-2E) (US/Japan/Canada) (Not Shown) | 1 | 42 |
| 17-00083-44 | Power Cord 240V 10A (2.5M) (BN20B-2E) (US/Japan/Canada) | 1 | Not Shown |
| 17-00198-11 | Power Cord 240V 10A (2.5M) (BN22C-2E) (Australia/New Zealand) | 1 | Not Shown |
| 17-00199-16 | Power Cord 240V 10A (2.5M) (BN22D-2E) (Central Europe) | 1 | Not Shown |
| 17-00209-13 | Power Cord 240V 10A (2.5M) (BN22E-2E) (U.K./Ireland) | 1 | Not Shown |
| 17-00210-10 | Power Cord 240V 10A (2.5M) (BN22F-2E) (Switzerland) | 1 | Not Shown |
| 17-00310-10 | Power Cord 240V 10A (2.5M) (BN22H-2E) (Denmark) | 1 | Not Shown |
| 17-00364-13 | Power Cord 240V 10A (2.5M) (BN22J-2E) (Italy) | 1 | Not Shown |
| 17-00456-13 | Power Cord 240V 10A (2.5M) (BN22K-2E) (India/S. Africa) | 1 | Not Shown |
| 17-00457-13 | Power Cord 240V 10A (2.5M) (BN22L-2E) (Israel) | 1 | Not Shown |
| 17-01364-02 | Cable Assembly, 06 Conductor | 1 | 10 |
| 17-02502-01 | Cable, DSSI External Bulkhead | 1 | Not Shown |
| 17-02542-01 | Cable, SCSI External Bulkhead | 1 | Not Shown |
| 17-02659-02 | Cable Assembly, 50 Conductor Molded Shielded | 1 | 45 |
| 17-02659-03 | Cable Assembly, 50 Conductor Molded Shielded (BC06P-2F) (2.5 Ft.) | 1 | 39 |
| 17-02665-01 | Cable Assembly, 50-Pin | 1 | 31 |
| 17-02666-01 | Cable Assembly, 5-Pin to 40-Pin Connector | 2 | 5 |
| 17-02700-01 | Cable Assembly, 100 Cond Flat (1-2 Mem.) | 1 | 33 |
| 17-02700-02 | Cable Assembly, 100 Cond Flat (3 Mem.) | 1 | 34 |
| 17-02700-03 | Cable Assembly, 100 Cond Flat (4 Mem.) | 1 | 35 |
| 17-02700-04 | Cable Assembly, 100 Cond Flat (5 Mem.) | 1 | 36 |
| 220QH-A9 | 220QH-A9 120/240V (w/o Skins) | 1 | N/A |
| 220QH-B9 | 220QH-B9 120/240V (w/Skins) | 1 | N/A |
| 36-18460-06 | Label, "Bar Code" (Not Shown) | 1 | 44 |
| 36-26584-01 | Label, "Baud Select" | 2 | 12 |
| 36-26883-A0 | Label, "Module Number M7637-AA" | 1 | 6 |
| 36-26883-A1 | Label, "Module Number M7638-AA" | 1 | 7 |
| 36-26883-A2 | Label, "Module Number M7639-AA" (Not Shown) | 1 | 12 |
| 36-27923-01 | Label, "Module Utilization" (Not Shown) | 1 | 29 |
| 36-28231-06 | Label, "Direct Thermal" | 2 | Not Shown |

**INDEX BY DEC PART NUMBER
220QH PEDESTAL SYSTEM**

| PART NO. | DESCRIPTION | FIG NO. | ITEM NO. |
|-------------|---------------------------------------------------------------|------------|-------------|
| 36-29163-07 | Label, "BA2XX Rev" (Rolled) | 1 | 18 |
| 36-29164-07 | Label, "BA2XX Rev" (Sheeted) | 1 | 23 |
| 36-30422-52 | Label, "FTZ Postcard Series BA400" (Not Shown) | 1 | 26 |
| 36-32667-12 | Label, "Pedestal BA440, Made in USA" | 1 | 21 |
| 36-32667-13 | Label, "Pedestal BA440, Made in UK" | 1 | 22 |
| 36-32668-01 | Label, "Serial/Model BA440, Made in USA" | 1 | 19 |
| 36-32668-02 | Label, "Serial/Model BA440, Made in UK" | 1 | 20 |
| 36-33152-11 | Label, "Logo/Model, Serial" (Not Shown) | 1 | 32 |
| 37-00983-12 | Package Assembly | 2 | Not Shown |
| 37-01072-07 | Package Assembly (Not Shown) | 1 | 24 |
| 37-01072-08 | Package Assembly (Not Shown) | 1 | 25 |
| 54-17381-03 | Module, SLU Console | 2 | 2 |
| 54-20181-01 | Backplane Assembly | 1 | Not Shown |
| 70-23981-01 | Bulkhead Assembly, Front | 1 | 14 |
| 70-23982-14 | Bulkhead Assembly, Front Dual | 2 | 1 |
| 70-24071-01 | Panel Assembly, Gap Filler | 1 | 43 |
| 70-25775-03 | BULKHEAD ASSEMBLY, H3602 MODULE | 2 | N/A |
| 70-25775-03 | BULKHEAD ASSEMBLY, H3602 MODULE | 1 | 3 |
| 70-27044-01 | Control Assembly, System | 1 | 38 |
| 70-27049-02 | Bezel Assembly, Disk Drive | 1 | 16 |
| 70-27414-01 | Bezel Assembly, Filler | 1 | 15 |
| 70-27437-01 | Chassis Assembly, BA430 (w/o Skins) | 1 | 1 |
| 70-27437-02 | Chassis Assembly, BA430 (w/Skins) | 1 | 2 |
| 70-27464-01 | HANDLE, SCSI | 1 | 31 |
| 70-28083-02 | Bulkhead Assembly, Blank | 1 | 37 |
| 74-37167-02 | Insulator, Shield | 2 | 8 |
| 74-40913-07 | Medallion, DECsystem 5500 | 1 | 13 |
| 74-40914-01 | Strip, Color | 1 | 47 |
| 74-42177-01 | Shield, H3602 | 2 | 9 |
| 90-00037-05 | Washer, Internal Tooth Lock No. 6 (Bronze) | 2 | 15 |
| 90-00039-14 | Screw, Mach Flat Hd. No 4-40 x 7/16 | 1 | 31 |
| 90-00063-02 | Screw, Self-Tap Truss Hd No. 4-40 x 5/16 | 2 | 16 |
| 90-00063-78 | Screw, Self-Tap Truss Hd No. 6 x 5/16 | 2 | 10 |
| 90-06659-00 | Washer, Flat | 2 | 11 |
| 90-10563-01 | Nut, Hex No. 1/2-28 | 2 | 14 |
| 99-06557-30 | Bag, 2 Mil Thick, Clear Poly Reclose (Not Shown) | 1 | 30 |
| EK-V4000-IN | Documentation, VAX 4000 Installation Checklist (Not Shown) | 1 | 46 |
| M7637-AA | Module, KN220 CPU | 1 | 5 |
| M7638-AA | Module, KN220 I/O | 1 | 4 |
| M9715-AA | Module, Interface Card | 1 | Not Shown |
| MS220-AA | Module, KN220 32MB Memory (M7639-AA) | 1 | 11 |

**INDEX BY DEC PART DESCRIPTION
220QH PEDESTAL SYSTEM**

| DESCRIPTION | DEC PART NO. | FIG. NO. | ITEM NO. |
|------------------------------------------------------------------------------|-----------------|-------------|-------------|
| 220QH PEDESTAL SYSTEM | N/A | 1 | N/A |
| 220QH-A9 120/240V (w/o Skins) | 220QH-A9 | 1 | N/A |
| 220QH-B9 120/240V (w/Skins) | 220QH-B9 | 1 | N/A |
| Backplane Assembly | 54-20181-01 | 1 | Not Shown |
| Bag, 2 Mil Thick, Clear Poly Reclose (Not Shown) | 99-06557-30 | 1 | 30 |
| Battery, 3 Cell 3.75V .18ma Nicad (-01 Replacement For -00) | 12-19245-01 | 2 | 6 |
| Battery, NVRAM CPU 2.8V (Located On M7637-AA) | 12-33140-01 | 1 | Not Shown |
| Bezel Assembly, Disk Drive | 70-27049-02 | 1 | 16 |
| Bezel Assembly, Filler | 70-27414-01 | 1 | 15 |
| Bulkhead Assembly, Blank | 70-28083-02 | 1 | 37 |
| Bulkhead Assembly, Front | 70-23981-01 | 1 | 14 |
| Bulkhead Assembly, Front Dual | 70-23982-14 | 2 | 1 |
| BULKHEAD ASSEMBLY, H3602 MODULE | 70-25775-03 | 1 | 3 |
| BULKHEAD ASSEMBLY, H3602 MODULE | 70-25775-03 | 2 | N/A |
| Cable Assembly, 06 Conductor | 17-01364-02 | 1 | 10 |
| Cable Assembly, 100 Cond Flat (1-2 Mem.) | 17-02700-01 | 1 | 33 |
| Cable Assembly, 100 Cond Flat (3 Mem.) | 17-02700-02 | 1 | 34 |
| Cable Assembly, 100 Cond Flat (4 Mem.) | 17-02700-03 | 1 | 35 |
| Cable Assembly, 100 Cond Flat (5 Mem.) | 17-02700-04 | 1 | 36 |
| Cable Assembly, 5-Pin to 40-Pin Connector | 17-02666-01 | 2 | 5 |
| Cable Assembly, 50 Conductor Molded Shielded | 17-02659-02 | 1 | 45 |
| Cable Assembly, 50 Conductor Molded Shielded (BC06P-2F) (2.5 Ft.) | 17-02659-03 | 1 | 39 |
| Cable Assembly, 50-Pin | 17-02665-01 | 1 | 31 |
| Cable, DSSI External Bulkhead | 17-02502-01 | 1 | Not Shown |
| Cable, SCSI External Bulkhead | 17-02542-01 | 1 | Not Shown |
| Chassis Assembly, BA430 (w/o Skins) | 70-27437-01 | 1 | 1 |
| Chassis Assembly, BA430 (w/Skins) | 70-27437-02 | 1 | 2 |
| Connector, BNC Coaxial | 12-26318-01 | 1 | 9 |
| Connector, DSSI Terminator | 12-29258-01 | 1 | 17 |
| Connector, SCSI Terminator | 12-30552-01 | 1 | 40 |
| Control Assembly, System | 70-27044-01 | 1 | 38 |
| Cover, 50 Pin IDC Connector | 12-33377-01 | 1 | 41 |
| Documentation, VAX 4000 Installation Checklist (Not Shown) | EK-V4000-IN | 1 | 46 |
| Encoder Set, Lens (DSSI Unit ID Plug) | 12-28766-19 | 1 | 27 |
| Encoder Set, Lens (SCSI Unit ID Plug) | 12-28766-28 | 1 | 28 |
| Fastener, 1/4 Turn | 12-26948-01 | 2 | 13 |
| HANDLE, SCSI | 7J-27464-01 | 1 | 31 |
| Insulator, Shield | 74-37167-02 | 2 | 8 |
| Label, "BA2XX Rev" (Rolled) | 36-29163-07 | 1 | 18 |
| Label, "BA2XX Rev" (Sheeted) | 36-29164-07 | 1 | 23 |
| Label, "Bar Code" (Not Shown) | 36-18460-06 | 1 | 44 |
| Label, "Baud Select" | 36-26584-01 | 2 | 12 |
| Label, "Direct Thermal" | 36-28231-08 | 2 | Not Shown |
| Label, "FTZ Postcard Series BA400" (Not Shown) | 36-30422-52 | 1 | 26 |
| Label, "Logo/Model, Serial" (Not Shown) | 36-33152-11 | 1 | 32 |
| Label, "Module Number M7637-AA" | 36-26883-A0 | 1 | 6 |

**INDEX BY DEC PART DESCRIPTION
220QH PEDESTAL SYSTEM**

| DESCRIPTION | DEC PART NO. | FIG. NO. | ITEM NO. |
|-------------------------------------------------------------------------|-----------------|-------------|-------------|
| Label, "Module Number M7638-AA" | 36-26883-A1 | 1 | 7 |
| Label, "Module Number M7639-AA" (Not Shown) | 36-26883-A2 | 1 | 12 |
| Label, "Module Utilization" (Not Shown) | 36-27923-01 | 1 | 29 |
| Label, "Pedestal BA440, Made in UK" | 36-32667-13 | 1 | 22 |
| Label, "Pedestal BA440, Made in USA" | 36-32667-12 | 1 | 21 |
| Label, "Serial/Model BA440, Made in UK" | 36-32668-02 | 1 | 20 |
| Label, "Serial/Model BA440, Made in USA" | 36-32668-01 | 1 | 19 |
| Latch Assembly, 15-Pin Slide w/o Hardware | 12-18489-03 | 2 | 4 |
| Latch Assembly, 2 Piece Slide w/Hardware | 12-18489-04 | 2 | 3 |
| | | | |
| Medallion, DECsystem 5500 | 74-40913-07 | 1 | 13 |
| Module, Interface Card | M9715-AA | 1 | Not Shown |
| Module, KN220 32MB Memory (M7639-AA) | MS220-AA | 1 | 11 |
| Module, KN220 CPU | M7637-AA | 1 | 5 |
| Module, KN220 I/O | M7638-AA | 1 | 4 |
| Module, SLU Console | 54-17381-03 | 2 | 2 |
| | | | |
| Nut, Hex No. 1/2-28 | 90-10563-01 | 2 | 14 |
| | | | |
| Package Assembly | 37-00983-12 | 2 | Not Shown |
| Package Assembly (Not Shown) | 37-01072-07 | 1 | 24 |
| Package Assembly (Not Shown) | 37-01072-08 | 1 | 25 |
| Panel Assembly, Gap Filler | 70-24071-01 | 1 | 43 |
| | | | |
| Power Cord 240V 10A (2.5M) (BN20B-2E) (US/Japan/Canada) | 17-00083-44 | 1 | Not Shown |
| Power Cord 240V 10A (2.5M) (BN22C-2E) (Australia/New Zealand) | 17-00198-11 | 1 | Not Shown |
| Power Cord 240V 10A (2.5M) (BN22D-2E) (Central Europe) | 17-00199-16 | 1 | Not Shown |
| Power Cord 240V 10A (2.5M) (BN22E-2E) (U.K./Ireland) | 17-00209-13 | 1 | Not Shown |
| Power Cord 240V 10A (2.5M) (BN22F-2E) (Switzerland) | 17-00210-10 | 1 | Not Shown |
| Power Cord 240V 10A (2.5M) (BN22H-2E) (Denmark) | 17-00310-10 | 1 | Not Shown |
| Power Cord 240V 10A (2.5M) (BN22J-2E) (Italy) | 17-00364-13 | 1 | Not Shown |
| Power Cord 240V 10A (2.5M) (BN22K-2E) (India/S. Africa) | 17-00456-13 | 1 | Not Shown |
| Power Cord 240V 10A (2.5M) (BN22L-2E) (Israel) | 17-00457-13 | 1 | Not Shown |
| Power Cord, 120V 10A (2.5M) (BN20A-2E) (US/Japan/Canada) (Not Shown) | 17-00083-43 | 1 | 42 |
| | | | |
| Screw, Mach Flat Hd. No 4-40 x 7/16 | 90-00039-14 | 1 | 31 |
| Screw, Self-Tap Truss Hd No. 4-40 x 5/16 | 90-00063-02 | 2 | 16 |
| Screw, Self-Tap Truss Hd No. 6 x 5/16 | 90-00063-78 | 2 | 10 |
| Shield, H3602 | 74-42177-01 | 2 | 9 |
| Strip, Color | 74-40914-01 | 1 | 47 |
| | | | |
| Tape, Velcro | 12-26595-02 | 2 | 7 |
| Tee, BNC Coaxial | 12-25869-01 | 1 | 8 |
| | | | |
| Washer, Flat | 90-06659-00 | 2 | 11 |
| Washer, Internal Tooth Lock No. 6 (Bronze) | 90-00037-05 | 2 | 15 |