

MEMORY OPTION INSTALLATION CARD

Use this card as a quick reference when installing the 3X-MS310-XX memory options in an AlphaServer DS10 or AlphaStation XP900 system.

WARNING: *To prevent injury, access is limited to persons who have appropriate technical training and experience. Such persons are expected to understand the hazards of working within this equipment and take measures to minimize danger to themselves or others.*

CPU modules and memory modules have parts that operate at high temperatures. Wait 2 minutes after power is removed before touching any module.

Wear an antistatic wrist strap when working on this system.

ACHTUNG: *Um Verletzungen zu vermeiden, ist der Zugriff nur Personen gestattet, die eine entsprechende technische Schulung vorweisen können und über die notwendige Erfahrung verfügen. Des weiteren sollten die Gefahren, denen diese Personen bei der Arbeit mit dem Gerät ausgesetzt sein könnten, bekannt sein, und die folgenden notwendigen Schritte eingeleitet werden, um das Gefahrenrisiko für sowohl diese als auch andere Personen zu minimieren:*

1. *Entfernen Sie leitfähigen Schmuck.*
2. *Schalten Sie das System vor dem Zugriff auf den Systemkartenbehälter aus. Warten Sie zwei Minuten, bis sich die Komponenten abgekühlt haben.*
3. *Tragen Sie bei der Berührung von internen Komponenten ein Antistatikarmband.*

Overview

- Configuration Rules
- Open the System Cabinet.
- Access the Memory Slots.
- Install the Memory Option.
- Restart the System.
- Verify the installation.

Before You Begin

Keep these points in mind when installing a memory option or replacing a memory module:

- The two modules in a memory option must be the same capacity. However, the options within a system box can be a mix of capacities.
- Memory options are installed in specific slots designated for each option.

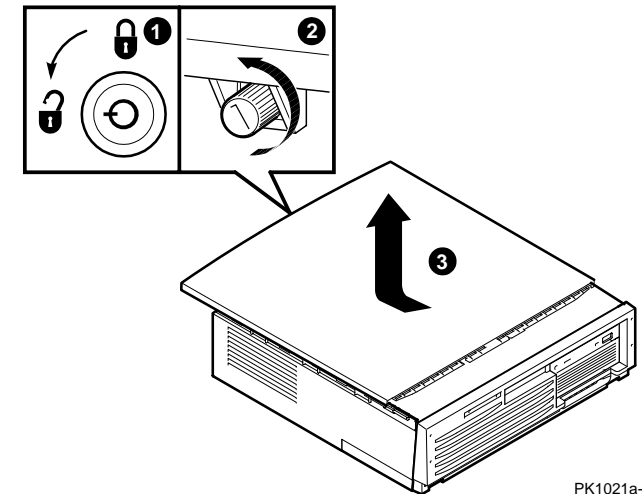
Configuration Rules

- A memory option consists of two DIMMS.
- Both DIMMs in a bank must be the same capacity; it is recommended that they be from the same manufacturer.
- Always fill at least one bank, bank 0 or 1, as shown in Figure 3, and as shown on the text on the motherboard.

Open the System Cabinet

1. Shut down the operating system and power down the system.
2. Unplug the power cord.
3. Remove the covers to gain access to the system. See Figure 1.
 - a) Unlock the top cover ❶.
 - b) Loosen the captive screw at the top of the bulkhead ❷.
 - c) Push down on the lever to the right of the screw and pull it out, perpendicular to the system.
 - d) Slide the cover toward the back of the system ❸. Lift it off.

Figure 1 Opening the System Cabinet

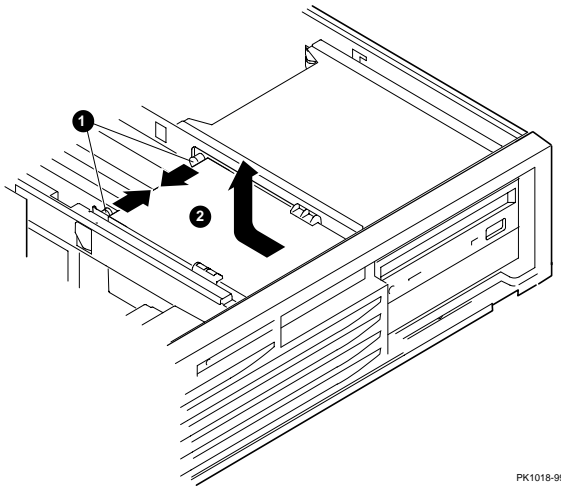


PK1021a-99

Access the Memory Slots

To access the memory slots, remove the floppy disk drive.

Figure 2 Removing the Floppy Disk Drive

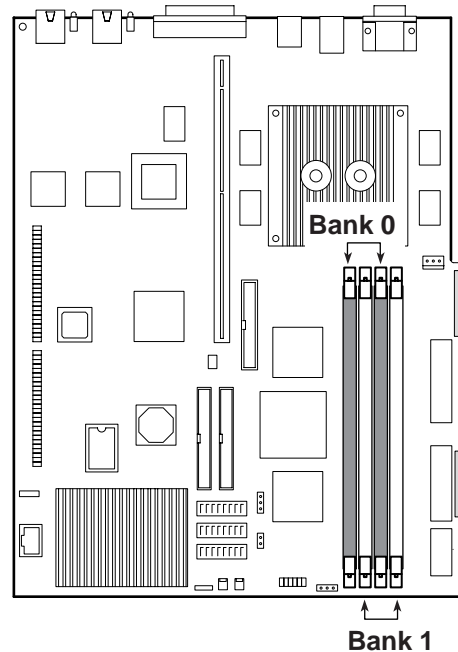


PK1018-99

1. Hold on to the cylinder pins, which secure the floppy disk drive unit. Pull them toward the center, Figure 2 ❶.
2. Pull the floppy drive unit back and up ❷, removing it from the front panel. Place the unit on top of the CD-ROM drive.

Figure 3 shows the location of the DIMM slots on the system motherboard.

Figure 3 Memory Slot Locations on Motherboard

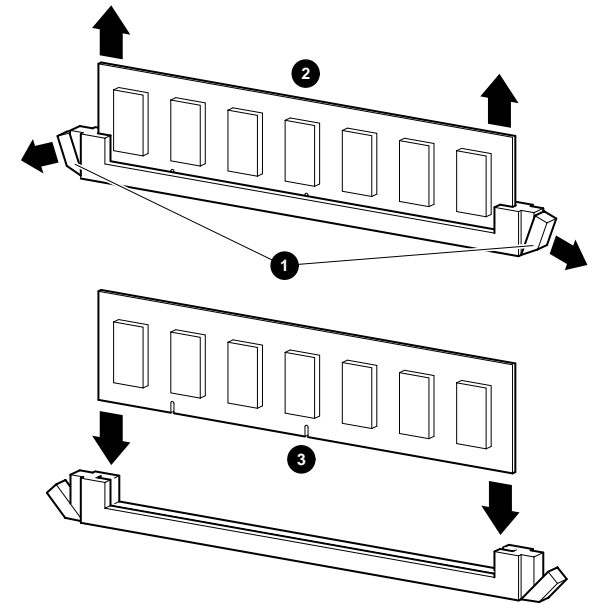


PK0246A-99

Install the Memory Option

1. Identify the slot locations for the option you are installing. See Figure 3.
2. Open the memory connector by pushing the levers down and outward. See Figure 4 ❶.
3. If you are replacing an existing module, remove it by pulling upward ❷.
4. Align each DIMM in the connector and press down ❸. The connector levers close.

Figure 4 Memory Card Installation



PK1009a-99

Restart the System

1. Replace the floppy disk drive and secure it with the cylinder pins.
2. Replace the system cover by placing it on the system and gently push it down and forward. Fasten the cover using the captive screw at the back of the system.
3. Lock the system.
4. Plug the power cord back in.
5. Turn the system on.

Verify the Installation

Tru64 UNIX and OpenVMS Systems will power up in the SRM console. At the console prompt,

- Issue the **show memory** command to display the status of the system memory.

Windows NT Systems will show a boot screen. Press F2 at this screen to enter the AlphaBIOS interface.

1. Select “Display System” and press Enter.
2. Using the arrow keys, select “Memory Configuration” to display the status of the system memory.

Part numbers for options can be found on the Internet. Using a Web browser, follow links to the appropriate supported options list from the URL:

<http://www.compaq.com/showroom/>