

ILLUSTRATED PARTS BREAKDOWN

TK50 TAPE DRIVE

HOW TO USE THE IPB

GENERAL

This IPB is compiled following the organization and nomenclature of the engineering drawing structure.

MAJOR ASSEMBLY LOCATOR

The Major Assembly Locator (first illustration) is an index that provides a description and a figure reference for all illustrations used in this manual.

INDENTED PARTS LIST

This manual identifies each assembly being broken down (figure reference callout), and all parts of that assembly. Further breakdown of an assembly is shown by an asterisk (*) preceding the item callouts in the Description Column. The number of asterisks preceding an item is used to denote the subordination of that item with respect to the Major Assembly. A single asterisk preceding an item description indicates that the item is part of the major assembly being illustrated. Items that are subordinate to single asterisks items, are denoted by two asterisks (**) and immediately follow the related single asterisk item. Additional asterisks are used, as required, to denote further subordination. This system of part identification, provides a means for the user to identify the next higher assembly item and make alternate selections for parts when the required replacement part or assembly is not immediately available.

COLUMN CALLOUT DESCRIPTION

Figure & Item - Indicates the figure number and item number of each part.

Description - Lists the name of the part and pertinent specifications (when required). Asterisks preceding the description denote the subordination of the part to the next higher assembly.

DEC Part No. - Lists the DEC part ordering number. A blank in this column indicates a DEC part number was not assigned at the time of publication.

ECO Cut In - The notation at the top of this column indicates the ECO level of the system (option), at which the IPB was initially prepared. Subsequent ECO level designations, that modify existing parts or add new parts to the device, are inserted in the ECO Cut In column next to the part that is added or modified. A bracket ([]) preceding the item description is used to indicate the parts affected by ECO's.

Vendor Code/Part No. - Indicates vendor parts that are not stocked by DEC. Refer to the Field Service Spares Catalog (vendor part number to DEC part number) for the vendor code cross reference.

Used On Code - Letters in this column correspond to the variation codes assigned in Figure 1. Parts with an Alpha notation(s) are used only in those option variations. A blank indicates that the part is used on all option variations.

Ref Fig No. - A cross reference between illustrations. For each Major Assembly, the number in this column denotes the figure of the next higher assembly. For all subassemblies, the number in this column denotes the figure showing additional detailed breakdown.

SYMBOL USAGE

Hardware Designators - Alpha designators for screws (S), washers (W), nuts (N), and retaining rings (R) are inserted after the item number callouts on the illustration when stacked item numbers are used.

Attaching Hardware - The (W) symbol is inserted before any part that is used as attaching hardware. Attaching hardware is denoted as those parts that are not an integral part of the referenced assembly.

(NFR) Not Field Repairable - The (NFR) symbol is inserted after any assembly that is not to be field dismantled.

Other Symbols - Any other symbols that are required for kits, accessories, etc. will be explained and appear as part of the item description.

REVISION HISTORY

OTHER IPB MANUALS REQUIRED TO SUPPORT THIS OPTION

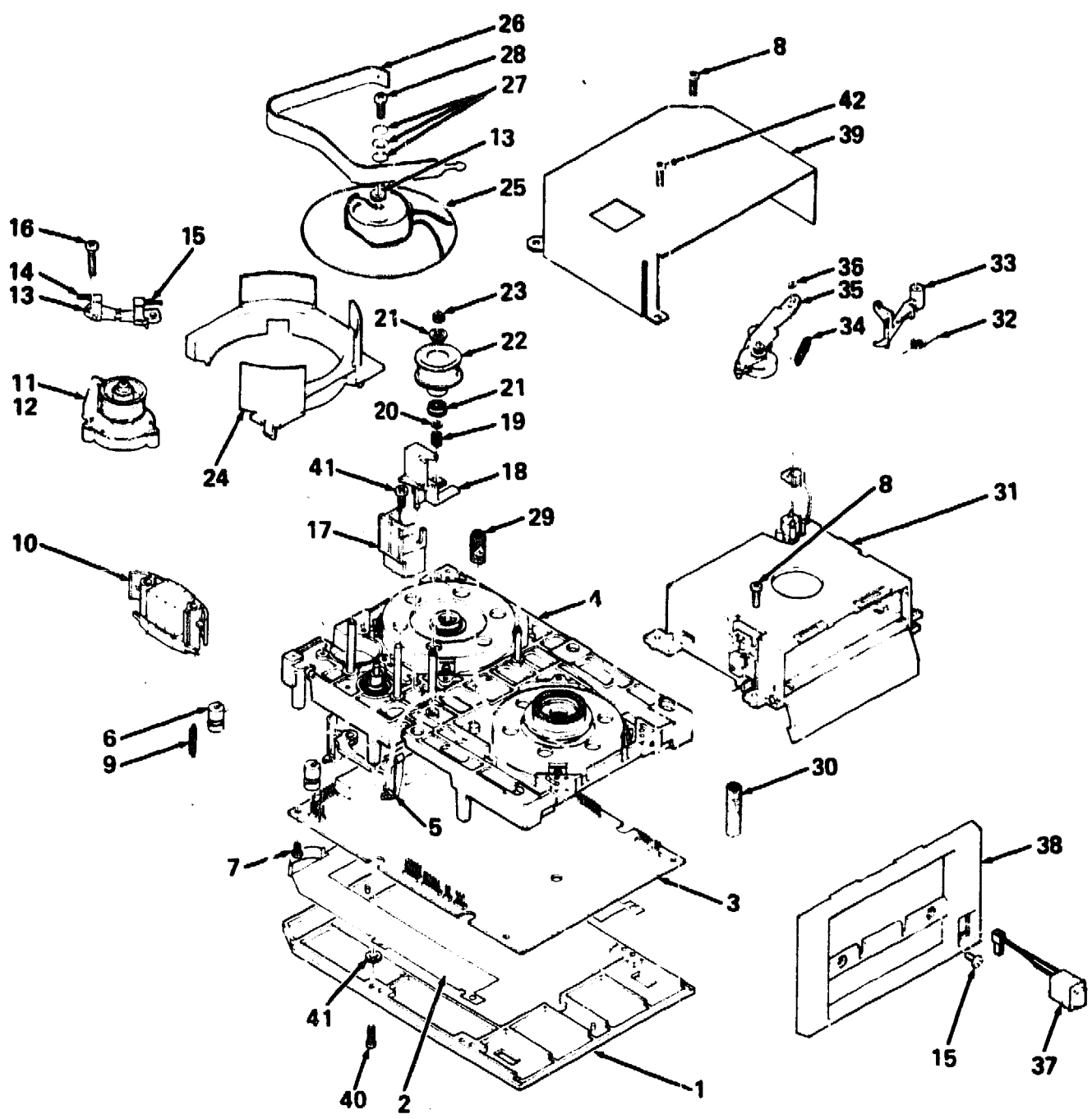
PRINTING	ECO LEVEL		DATE	
2nd Printing	TK50	00001-00006	12/30/85	N/A
	70-21736	TK50 00006		
	70-21085	TK50 00004		
	70-21814	TK50 00004		
	70-21738	00000-00000		
	70-21087	00000-00000		
	70-21086	TK50 00006		
	70-21818	TK50 00006		

Copyright © 1985 by Digital Equipment Corporation. All rights reserved.

DEC reserves the right, without notice, to make substitutions and modifications in the specifications of products documented in this manual and further reserves the right to withdraw any of these products from the market without notice.

DEC is not responsible for errors which may appear in the technical description (including illustrations and photographs) of the products covered by this manual.

None of the descriptions contained in this manual imply the granting of any license whatsoever to make, use or sell equipment constructed in accordance therewith.



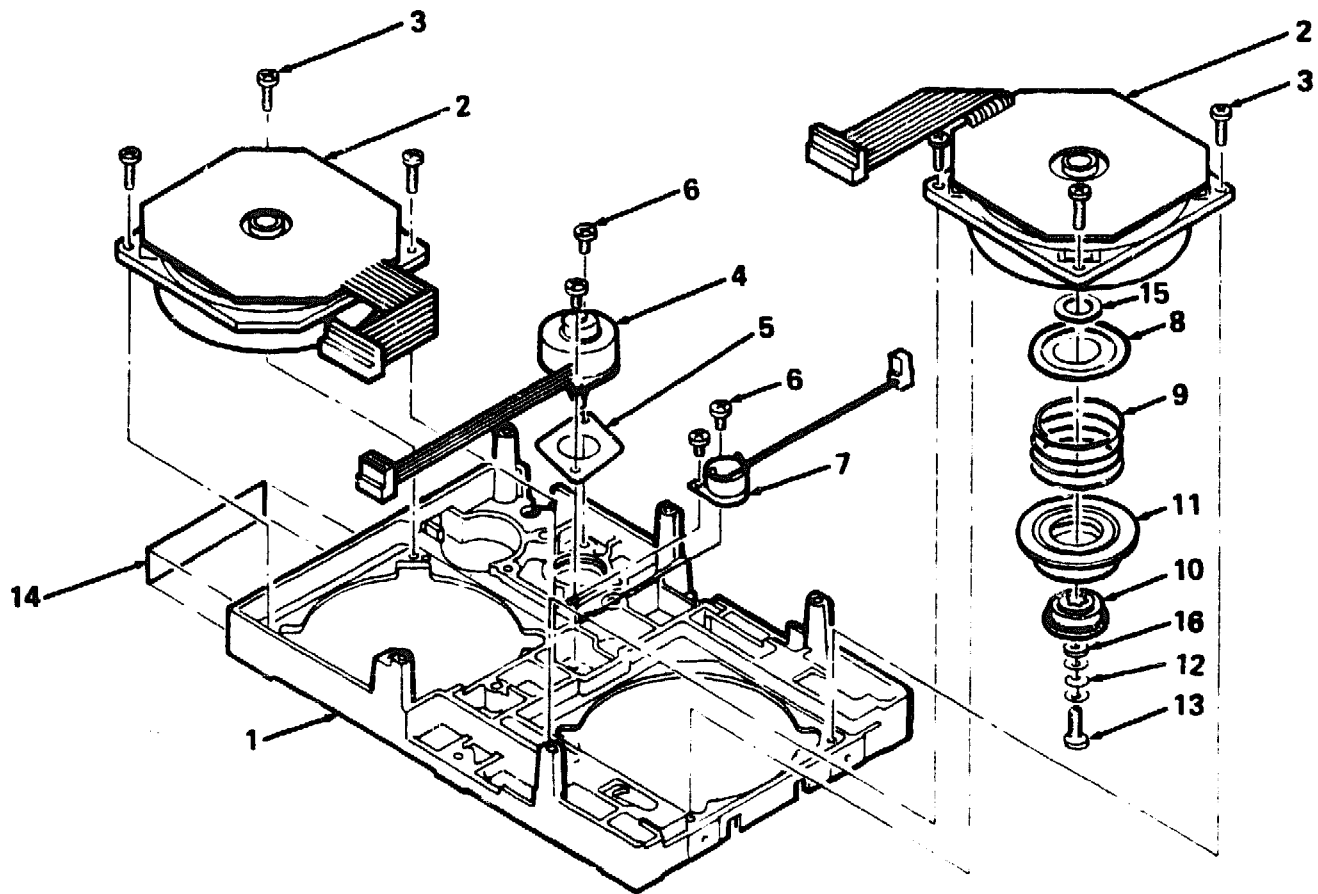
TK50-01

Figure 1. TK50 Tape Drive



FIG. & ITEM NO.	DESCRIPTION	DEC PART NO.	ECO CUT-IN TK50 00001	USED ON CODE	REF FIG NO.
1-	TK50 TAPE DRIVE	TK50-00			
1	*Plate Skid Assembly (deleted)	70-21750-01			
	*Plate, Skid	74-32696-01	00005		
2	*Insulator Assembly	70-21765-01			
3	*TK50 Drive Module	54-15660-00			
4	*MOTOR and BASEPLATE ASSEMBLY	70-21736-01			2
5	*Bracket, Head Spring	74-30728-01			
6	*Strain Relief, Head	74-29585-01			
7	*Screw, Phi Pan Hd Self Tap No. 6-32 x 1/4	90-09905-00			
8	*Screw, Phi Pan Hd Self Tap No. 6-32 x 1/2	90-10089-03			
9	*Spring, Head Bracket Extension	12-22895-01			
10	*Bracket, Head Assembly	70-21142-01			
11	*TACHOMETER ASSEMBLY (deleted)	70-21086-01			6
	*TACHOMETER ASSEMBLY (added)	70-21818-01	00006		6A
12	*Screw, Phi Pan Hd No. 6-32 x 5/8	90-10109-00			
13	*Washer, Flat	12-24192-02			
14	*EOT/BOT LED-Photo Assembly	11-23276-01			
15	*Screw, Sems Phi Pan Hd No. 6-32 x 5/8	90-00049-01			
16	*Screw, Phi Pan Hd No. 6-32 x 5/16	90-00049-57			
17	*External Shield Assembly	70-21141-01			
18	*Guard, Tape (deleted)	74-29297-01			
	*Guard, Tape (added)	74-32344-01	00006		
19	*Spring, Compression (deleted)	12-13656-03			
	*Spring, Compression (added)	12-13656-05	00006		
20	*Retainer, Spring (deleted)	74-30863-01			
	*Washer, Flat (added)	12-24692-03	00003		
21	*Ball Bearing, Flanged	12-22788-01			
22	*Capstan (deleted)	74-27695-01			
	*Capstan, Tachometer (added)	74-32346-01	00006		
23	*Nut, Nylon Self Lock No. 4-40	90-08054-00			
24	*Constraint, Tape	74-29616-01			
25	*Reel, Take-up	74-27668-01			
26	*Leader, Cartridge (Take-up)	74-28268-01			
27	*Washer, Spring	90-10506-01			
28	*Screw, Phi Fillister Hd No. 8-32 x 1/2	90-07641-06			
29	*Spring, Compression	12-12912-01			
30	*Spring, Compression	12-22357-01			
31	*RECEIVER ASSEMBLY (deleted)	70-21085-01			3
	*RECEIVER ASSEMBLY (added)	70-21814-01	00004		3A
32	*Spring, Torsion	12-23742-01			
33	*Link, Buckling	74-30916-01			
34	*Spring, Compression	12-22358-01			

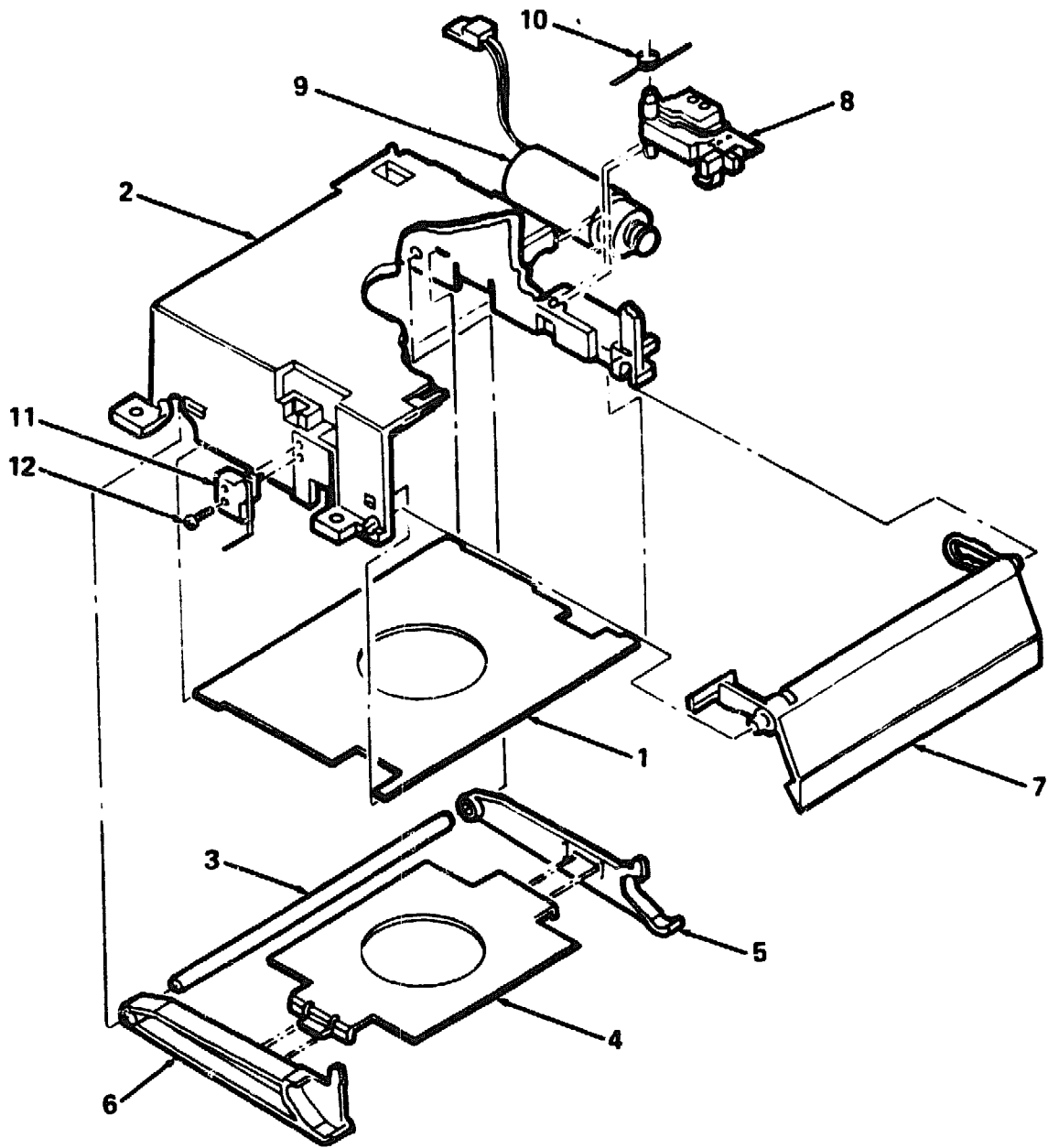
FIG. & ITEM NO.	DESCRIPTION	DEC PART NO.	ECO CUT-IN TK50 00001	USED ON CODE	REF FIG NO.
1-					
35	*LEADER LATCH ASSEMBLY	70-21087-01			5
36	*Retaining Ring, External	90-09257-04			
37	*Switch, Push Button	12-21464-08			
38	*Bezel Assembly	70-21812-01			
39	*Enclosure, Partial Weldment (deleted)	70-21762-01			
	*Enclosure (added)	74-32363-01	00005		
40	*Screw, Phi Pan Hd No. 6-32 x 9/16	90-06022-01			
41	*Washer, Internal Tooth Lock No. 6	90-09882-00			
42	*Screw, Sems, External Tooth, Phi Pan Hd	90-10174-03	00002		
	No. 6-32 x 1/2 (added)				
43	*Screw, Self Tap, Phi Pan Hd No. 6-32 x 1.2 (added)	90-00049-36	00002		



TK50-02

Figure 2. Motor and Baseplate Assembly

FIG. & ITEM NO.	DESCRIPTION	DEC PART NO.	ECO CUT-IN 70-21736 00000	USED ON CODE	REF FIG NO.
2-	MOTOR and BASEPLATE ASSEMBLY	70-21736-01			1
1	*Baseplate Assembly	70-21732-01			
2	*Motor, Brushless	12-22681-01			
3	*Screw, Phi Pan Hd No. 6-32 x 5/16	90-10089-03			
4	*Actuator, Digital Linear	12-21497-01			
5	*Shield, Actuator	74-29607-01			
6	*Screw, Phi Pan Hd No. 6-32 x 7/16	90-09905-01			
7	*Switch, Thermal	12-22958-02			
8	*Plate, Spring	74-31657-01			
9	*Spring, Compression	12-22356-02			
10	*Drive Hub	74-27691-01			
11	*Driver Reel	74-27688-01			
12	*Washer, Spring	90-10506-01			
13	*Screw, Phi Fil Hd No. 8-32 x 1.2	90-07641-06			
14	*Label, "S/N, TK50"	36-19833-02			
15	*Shim, Plastic (deleted)	12-24328-01	TK50		
16	*Washer, Flat	12-24692-02	00006		



TK50-03

Figure 3. Receiver Assembly



FIG. & ITEM NO.	DESCRIPTION	DEC PART NO.	ECO CUT-IN 70-21085 00000	USED ON CODE	REF FIG NO.
3-	RECEIVER ASSEMBLY (deleted) (See Figure 3A)	70-21085-01	TK50 00004		1
1	*Floor, Receiver	74-29212-01			
2	*Receiver	74-29217-01			
3	*Shaft, Pivot Link	74-29216-01			
4	*Plate, Clutch	74-29211-01			
5	*Link, Right Link	74-29213-01			
6	*Link, Left Link	74-29214-01			
7	*Handle, Engaging	74-27678-01			
8	*INTERPOSER ASSEMBLY	70-21738-01			4
9	*Solenoid, Tubular	12-22089-01			
10	*Spring, Torsion	12-22538-01			
11	*Switch, Micro	12-22274-03			
12	*Screw, Phl Pan Hd No. 2 x 3/8	90-10500-01			

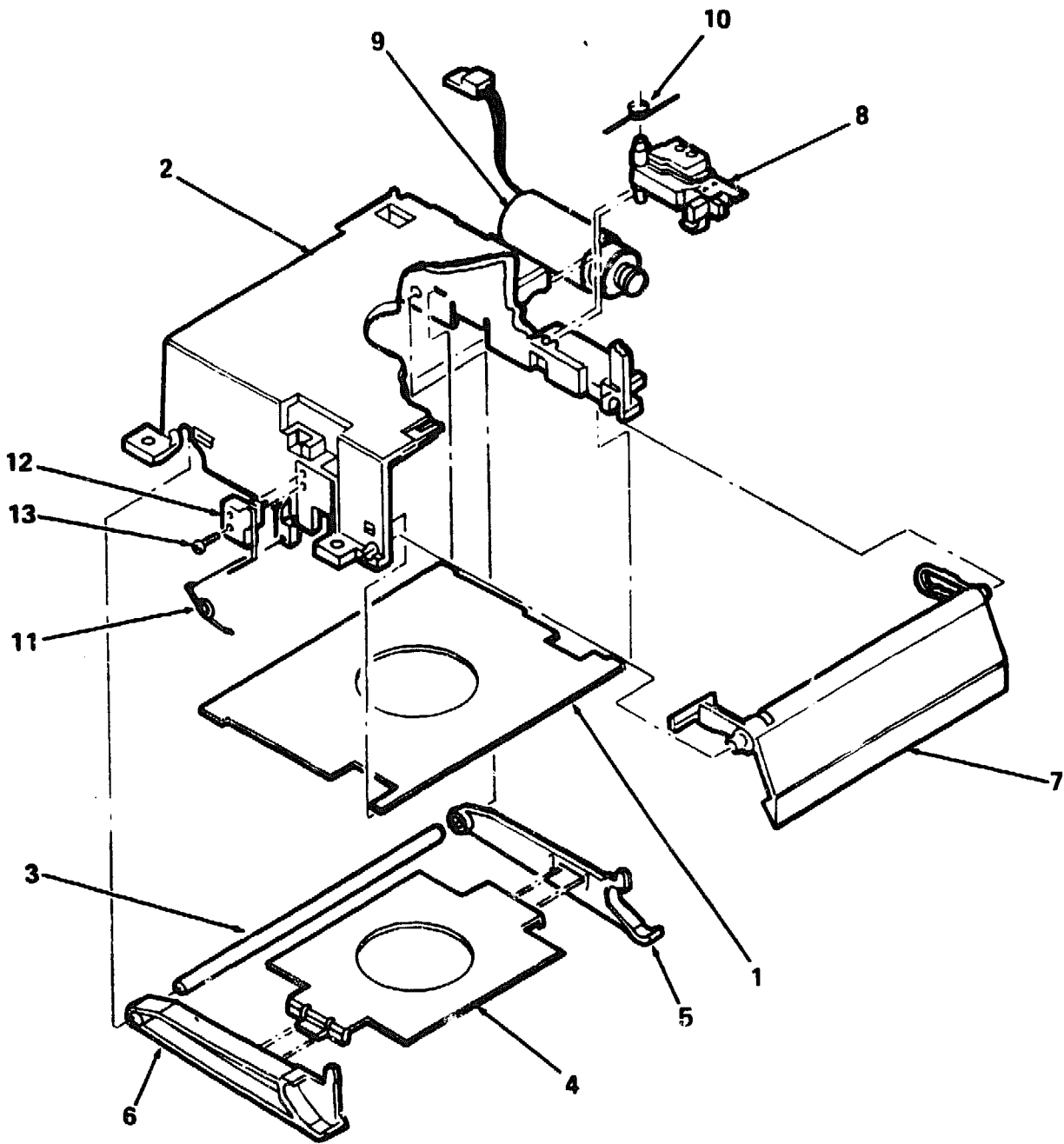
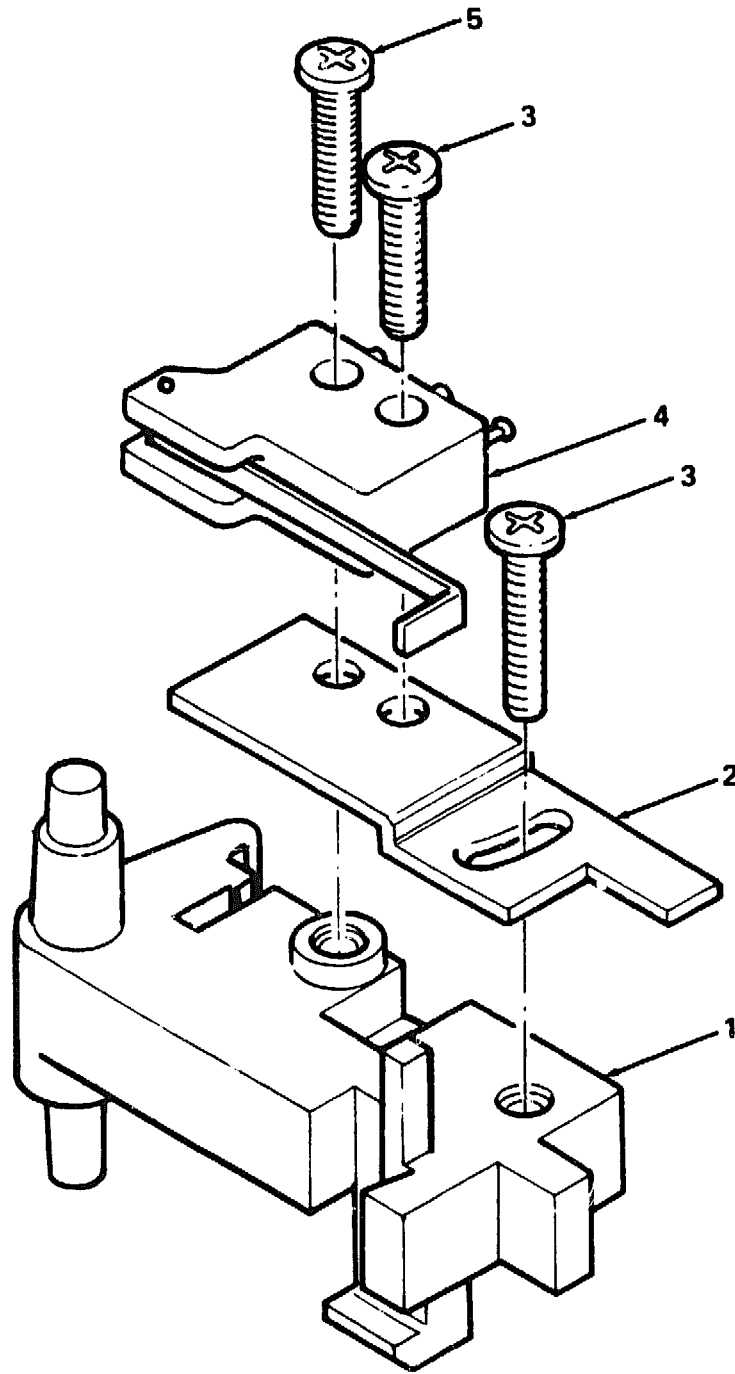


Figure 3A. Receiver Assembly

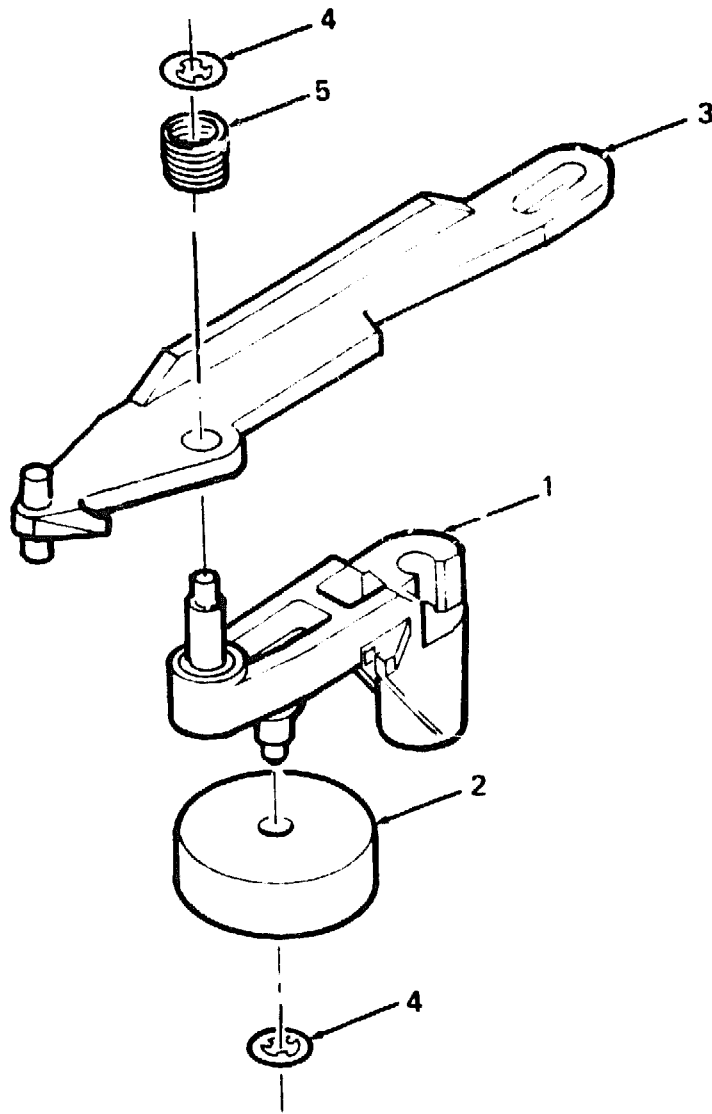
FIG. & ITEM NO.	DESCRIPTION	DEC PART NO.	ECO CUT-IN TK50 00004	USED ON CODE	REF FIG NO.
3A-	RECEIVER ASSEMBLY (added)	70-21814-01	00004		1
1	*Floor, Receiver	74-29212-01			
2	*Receiver	74-32530-01			
3	*Shaft, Pivot Link	74-29216-01			
4	*Plate, Clutch	74-29211-01			
5	*Link, Right Clutch	74-32532-01			
6	*Link, Left Clutch	74-32531-01			
7	*Handle, Engaging	74-32529-01			
8	*INTERPOSER ASSEMBLY	70-21738-01			4
9	*Solenoid, Tubular, 10.5 VDC	12-22089-01			
10	*Spring, Torsion	12-22538-01			
11	*Spring, Handle Torsion	12-25200-01			
12	*Switch Assembly	12-25332-02			
13	*Screw, Phl Pan Hd No. 2-56 x 3/8	90-10500-01			



TK50-04

Figure 4. Interposer Assembly

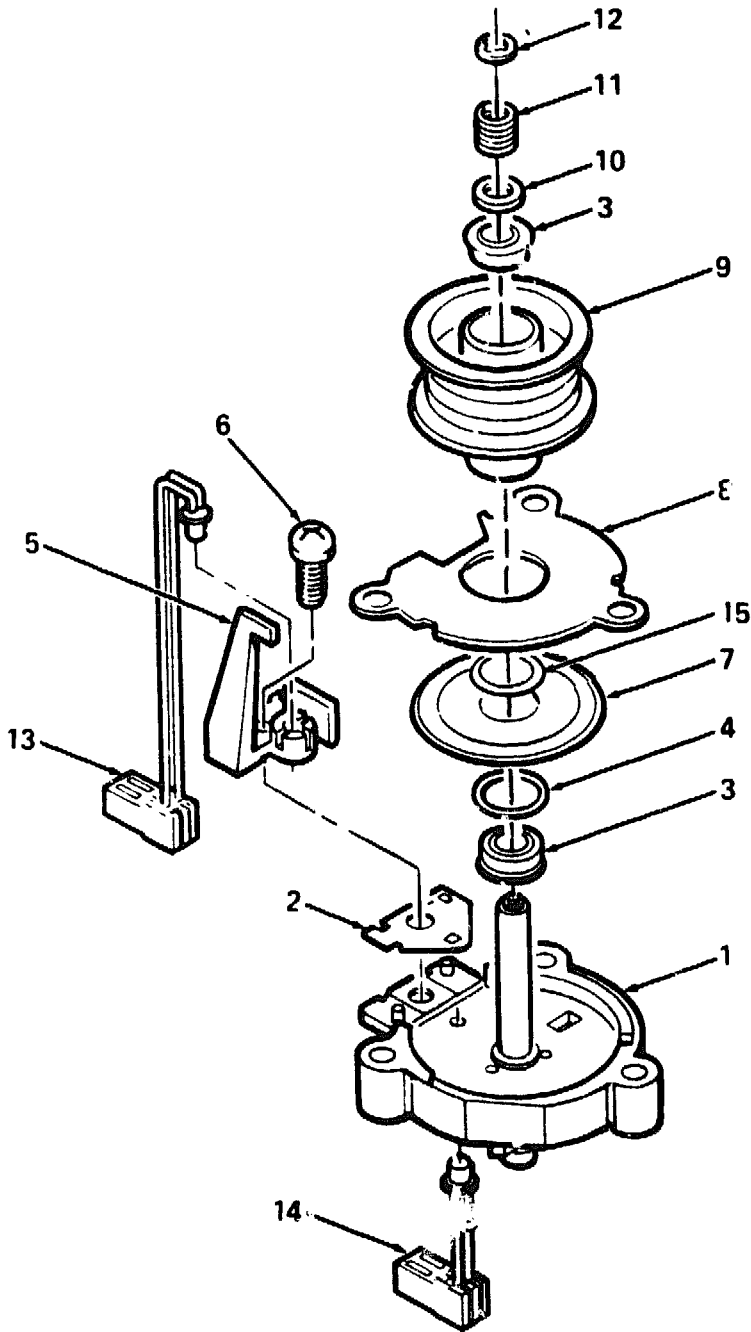
FIG. & ITEM NO.	DESCRIPTION	DEC PART NO.	ECO CUT-IN 70-21738 00000	USED ON CODE	REF FIG NO.
4-	INTERPOSER ASSEMBLY	70-21738-01			3,3A
1	*Interposer	74-29215-01			
2	*Mount, Switch	74-29218-01			
3	*Screw, Phl Pan Hd No. 2-56 x 1/4	90-06004-01			
4	*Switch, Micro	12-22274-04			
5	*Screw, Phl Pan Hd No. 2-56 x 3/8	90-10500-01			



TK50-05

Figure 5. Leader Latch Assembly

FIG. & ITEM NO.	DESCRIPTION	DEC PART NO.	ECO CUT-IN 70-21087 00000	USED ON CODE	REF FIG NO.
5-	LEADER LATCH ASSEMBLY	70-21087-01			1
1	*Driver, Link	74-27835-01			
2	*Roller, Link	74-27836-01			
3	*Arm, Buckling	74-29223-01			
4	*Retaining Ring	90-09257-04			
5	*Spring, Compression	12-19097-01			



TK50-06

Figure 6. Tachometer Assembly

FIG. & ITEM NO.	DESCRIPTION	DEC PART NO.	ECO CUT-IN 70-21086 00001	USED ON CODE	REF FIG NO.
6-	TACHOMETER ASSEMBLY (deleted) (See Figure 6A)	70-21086-01	TK50 00006		1
1	*Body, Tachometer	74-29219-01			
2	*Mask, Encoder	74-29220-01			
3	*Bearing, Flanged Ball	12-22788-01			
4	*Washer, Flat Tachometer	90-10499-01			
5	*Guide, Tachometer	74-29222-01			
6	*Screw, Self Tap Phi Pan Hd No. 6 x 1/2	90-09800-00			
7	*Disk, Tachometer Encoder	74-27698-01			
8	*Plate, Tachometer	74-29221-01			
9	*Capstan	74-27695-01			
10	*Retainer, Spring (deleted)	74-30863-01	TK50		
	*Washer, Flat (added)	12-24692-03	00003		
11	*Spring, Compression	12-13656-04			
12	*Retaining Ring	90-09257-04			
13	*I.R. LED w/Cable	11-23634-02			
14	*Phototransistor w/Cable	15-23633-02			
15	*Shim, Plastic	12-24328-02			

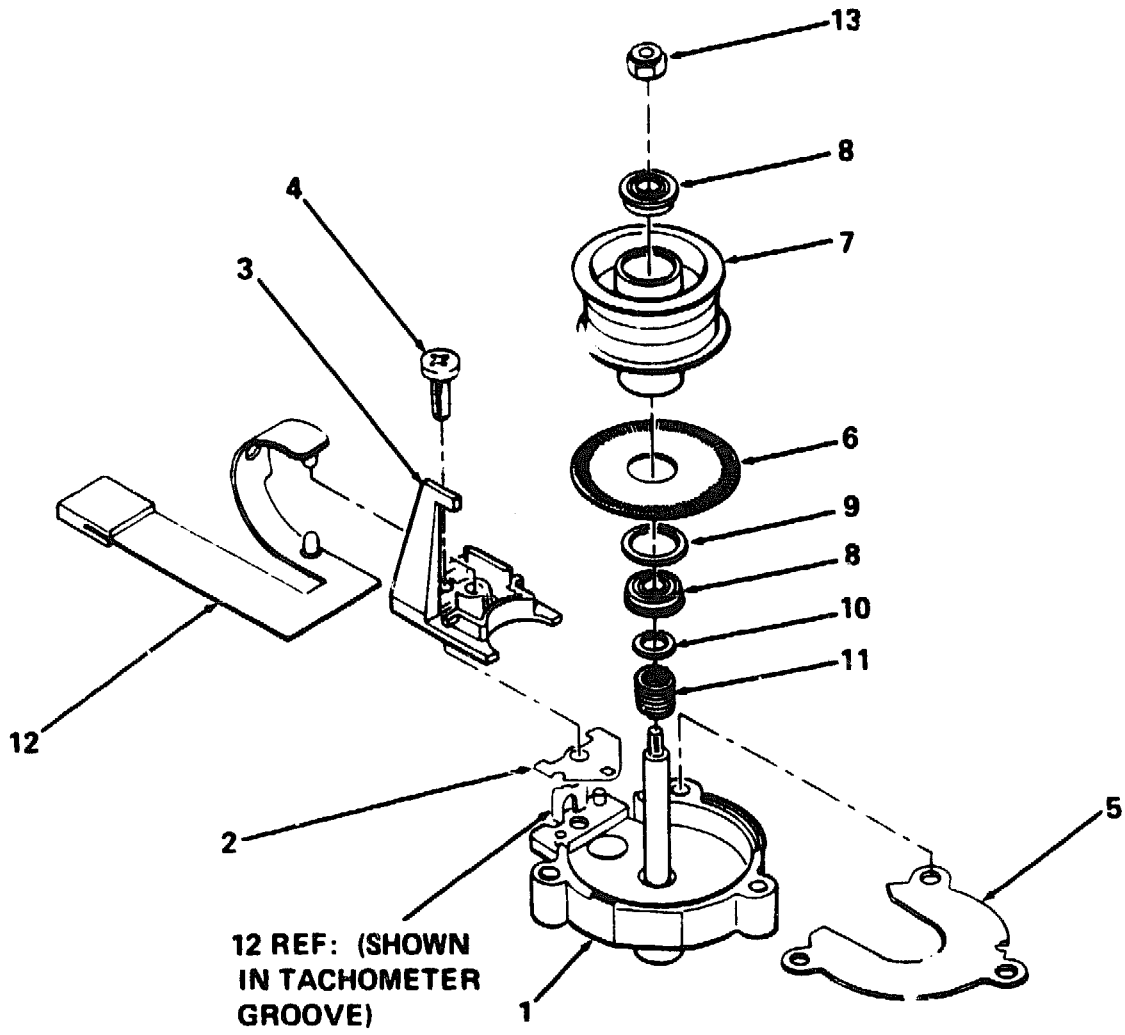


Figure 6A. Tachometer Assembly

FIG. & ITEM NO.	DESCRIPTION	DEC PART NO.	ECO CUT-IN 70-21818 00000	USED ON CODE	REF FIG NO.
6A-	TACHOMETER ASSEMBLY (added)	70-21818-01	TK50 00006		1
1	*Body, Tachometer	74-32341-01			
2	*Mask, Encoder	74-29220-01			
3	*Guide, Tachometer	74-32343-01			
4	*Screw, Self Tap Phi Pan HJ No. 6 x 1/2	90-09800-00			
5	*Plate, Tachometer Cover	74-32342-01			
6	*Disk, Encoder	74-31488-02			
7	*Capstan, Tachometer	74-32346-01			
8	*Bearing, Flanged Ball	12-22788-01			
9	*Ring, Capstan Support	74-31389-01			
10	*Retainer, Spring	74-30863-01			
11	*Spring, Compression	12-13656-05			
12	*Flex Circuit Assembly	17-01088-01			
13	*Nut, Kep, Self Locking, No. 4-40 x 1/4	90-08054-00			

PART NUMBER/DESCRIPTION SORT



TK50 SORTED BY PART NUMBER

PART NO.	DESCRIPTION	FIG. NO.	ITEM
11-23276-01	EOT/BOT LED-Photo Assembly	1	14
11-23634-02	I.R. LED w/Cable	6	13
12-12912-01	Spring, Compression	1	29
12-13656-03	Spring, Compression	1	19
12-13656-04	Spring, Compression	6	11
12-19097-01	Spring, Compression	5	5
12-21464-08	Switch, Push Button	1	37
12-21497-01	Actuator, Digital Linear	2	4
12-22089-01	Solenoid, Tubular	3	9
12-22274-03	Switch, Micro	3	11
12-22274-04	Switch, Micro	4	4
12-22336-02	Spring, Compression	2	9
12-22337-01	Spring, Compression	1	30
12-22358-01	Spring, Compression	1	34
12-22538-01	Spring, Torsion	3	10
12-22681-01	Motor, Brushless	2	2
12-22788-01	Ball Bearing, Flanged	1	21
12-22788-01	Bearing, Flanged Ball	6	3
12-22895-01	Spring, Head Bracket Extension	1	9
12-22958-02	Switch, Thermal	2	7
12-23742-01	Spring, Torsion	1	32
12-24328-01	Shim, Plastic	2	15
12-24328-02	Shim, Plastic	6	15
12-24692-02	Washer, Flat	2	16
12-24692-02	Washer, Flat	1	13
15-23633-02	Phototransistor w/Cable	6	14
36-19833-02	Label, "S/N, TK50"	2	14
54-15660-00	TK50 Drive Module	1	3
70-21085-01	RECEIVER ASSEMBLY	3	0
70-21085-01	RECEIVER ASSEMBLY	1	31
70-21086	TACHOMETER ASSEMBLY	6	0
70-21086-01	TACHOMETER ASSEMBLY	1	11
70-21087-01	LEADER LATCH ASSEMBLY	1	35
70-21087-01	LEADER LATCH ASSEMBLY	5	0
70-21141-01	External Shield Assembly	1	17
70-21142-01	Bracket, Head Assembly	1	10
70-21732-01	Baseplate Assembly	2	1
70-21736-01	MOTOR and BASEPLATE ASSEMBLY	2	0
70-21736-01	MOTOR and BASEPLATE ASSEMBLY	1	4
70-21738-01	INTERPOSER ASSEMBLY	3	8
70-21738-01	INTERPOSER ASSEMBLY	4	0
70-21750-01	Plate Skid Assembly	1	1
70-21762-01	Enclosure, Partial Weldment	1	39
70-21764-01	Bezel Assembly	1	38
70-21765-01	Insulator Assembly	1	2
74-27668-01	Reel, Take-up	1	25
74-27678-01	Handle, Engaging	3	7
74-27688-01	Driver Reel	2	11

TK50 SORTED BY PART NUMBER

PART NO.	DESCRIPTION	FIG. NO.	ITEM
74-27691-01	Drive Hub	2	10
74-27695-01	Capstan	1	22
74-27695-01	Capstan	6	9
74-27698-01	Disk, Tachometer Encoder	6	7
74-27835-01	Driver, Link	5	1
74-27836-01	Roller, Link	5	2
74-28286-01	Leader, Cartridge (Take-up)	1	26
74-29211-01	Plate, Clutch	3	4
74-29212-01	Floor, Receiver	3	1
74-29213-01	Link, Right Link	3	5
74-29214-01	Link, Left Link	3	6
74-29215-01	Interposer	4	1
74-29216-01	Shaft, Pivot Link	3	3
74-29217-01	Receiver	3	2
74-29218-01	Mount, Switch	4	2
74-29219-01	Body, Tachometer	6	1
74-29220-01	Mask, Encoder	6	2
74-29221-01	Plate, Tachometer	6	8
74-29222-01	Guide, Tachometer	6	5
74-29223-01	Arm, Buckling	5	3
74-29297-01	Guard, Tape	1	18
74-29585-01	Strain Relief, Head	1	6
74-29607-01	Shield, Actuator	2	5
74-29616-01	Constraint, Tape	1	24
74-30728-01	Bracket, Head Spring	1	5
74-30863-01	Retainer, Spring	6	10
74-30863-01	Retainer, Spring	1	20
74-30916-01	Link, Buckling	1	33
74-31657-01	Plate, Spring	2	8
90-00049-01	Screw, Sems Phl Pan Hd No. 6-32 x 5/8	1	15
90-00049-57	Screw, Phl Pan Hd No. 6-32 x 5/16	1	16
90-06004-01	Screw, Phl Pan Hd No. 2-56 x 1/4	4	3
90-06022-01	Screw, Phl Pan Hd No. 6-32 x 9/16	1	40
90-07641-06	Screw, Fillister Hd No. 8-32 x 1/2	2	13
90-07641-06	Screw, Fillister Hd No. 8-32 x 1/2	1	28
90-08054-00	Nut, Nylon Self Lock No. 4-40	1	23
90-09257-04	Retaining Ring, External	1	36
90-09257-04	Retaining Ring	6	12
90-09257-04	Retaining Ring	5	4
90-09800-00	Screw, Self Tap No. 6 x 3/8	6	6
90-09882-00	Washer, Internal Tooth Lock No. 6	1	41
90-09905-00	Screw, Phl Pan Hd Self Tap No. 6-32 x 1/4	1	7
90-09905-01	Screw, Phl Pan Hd No. 6-32 x 7/16	2	6
90-10089-03	Screw, Phl Pan Hd Self Tap No. 6-32 x 1/2	1	8
90-10089-03	Screw, Phl Pan Hd No. 6-32 x 5/16	2	3
90-10109-00	Screw, Phl Pan Hd No. 6-32 x 5/8	1	12
90-10499-01	Washer, Flat Tachometer	6	4
90-10500-01	Screw, Phl Pan Hd No. 2-56 x 3/8	3	12
90-10500-01	Screw, Phl Pan Hd No. 2-56 x 3/8	4	5
90-10506-01	Washer, Spring	1	27
90-10506-01	Washer, Spring	2	12
TK50-00	TK50 TAPE DRIVE	1	0

TK50 SORTED BY DESCRIPTION

DESCRIPTION	PART NO.	FIG. NO.	ITEM
Actuator, Digital Linear	12-21497-01	2	4
Arm, Buckling	74-29223-01	5	3
Ball Bearing, Flanged	12-22788-01	1	21
Baseplate Assembly	70-21732-01	2	1
Bearing, Flanged Ball	12-22788-01	6	3
Bezel Assembly	70-21764-01	1	38
Body, Tachometer	74-29219-01	6	1
Bracket, Head Assembly	70-21142-01	1	10
Bracket, Head Spring	74-30728-01	1	5
Capstan	74-27695-01	1	22
Capstan	74-27695-01	6	9
Constraint, Tape	74-29616-01	1	24
Disk, Tachometer Encoder	74-27698-01	6	7
Drive Hub	74-27691-01	2	10
Driver Reel	74-27688-01	2	11
Driver, Link	74-27835-01	5	1
Enclosure, Partial Weldment	70-21762-01	1	39
EOT/BOT LED-Photo Assembly	11-23276-01	1	14
External Shield Assembly	70-21141-01	1	17
Floor, Receiver	74-29212-01	3	1
Guard, Tape	74-29297-01	1	18
Guide, Tachometer	74-29222-01	6	5
Handle, Engaging	74-27678-01	3	7
I.R. LED w/Cable	11-23634-02	6	13
Insulator Assembly	70-21765-01	1	2
Interposer	74-29215-01	4	1
INTERPOSER ASSEMBLY	70-21738-01	4	0
INTERPOSER ASSEMBLY	70-21738-01	3	8
Label, "S/N, TK50"	36-19833-02	2	14
LEADER LATCH ASSEMBLY	70-21087-01	5	0
LEADER LATCH ASSEMBLY	70-21087-01	1	35
Leader, Cartridge (Take-up)	74-28286-01	1	26
Link, Buckling	74-30916-01	1	33
Link, Left Link	74-29214-01	3	6
Link, Right Link	74-29213-01	3	5
Mask, Encoder	74-29220-01	6	2
MOTOR and BASEPLATE ASSEMBLY	70-21736-01	1	4
MOTOR and BASEPLATE ASSEMBLY	70-21736-01	2	0
Motor, Brushless	12-22681-01	2	2
Mount, Switch	74-29218-01	4	2
Nut, Nylon Self Lock No. 4-40	90-08054-00	1	23

TK50 SORTED BY DESCRIPTION

DESCRIPTION	PART NO.	FIG. NO.	ITEM
Phototransistor w/Cable	15-23633-02	6	14
Plate Skid Assembly	70-21750-01	1	1
Plate, Clutch	74-29211-01	3	4
Plate, Spring	74-31657-01	2	8
Plate, Tachometer	74-29221-01	6	8
Receiver	74-29217-01	3	2
RECEIVER ASSEMBLY	70-21085-01	3	0
RECEIVER ASSEMBLY	70-21085-01	1	31
Reel, Take-up	74-27668-01	1	25
Retainer, Spring	74-30863-01	1	20
Retainer, Spring	74-30863-01	6	10
Retaining Ring	90-09257-04	5	4
Retaining Ring	90-09257-04	6	12
Retaining Ring, External	90-09257-04	1	36
Roller, Link	74-27836-01	5	2
Screw, Fillister Hd No. 8-32 x 1/2	90-07641-06	1	28
Screw, Fillister Hd No. 8-32 x 1/2	90-07641-06	2	13
Screw, Phl Pan Hd No. 2-56 x 1/4	90-06004-01	4	3
Screw, Phl Pan Hd No. 2-56 x 3/8	90-10500-01	4	5
Screw, Phl Pan Hd No. 2-56 x 3/8	90-10500-01	3	12
Screw, Phl Pan Hd No. 6-32 x 5/16	90-10089-03	2	3
Screw, Phl Pan Hd No. 6-32 x 5/16	90-00049-57	1	16
Screw, Phl Pan Hd No. 6-32 x 5/8	90-10109-00	1	12
Screw, Phl Pan Hd No. 6-32 x 7/16	90-09905-01	2	6
Screw, Phl Pan Hd No. 6-32 x 7/16	90-06022-01	1	40
Screw, Phl Pan Hd Self Tap No. 6-32 x 1/2	90-10089-03	1	8
Screw, Phl Pan Hd Self Tap No. 6-32 x 1/4	90-09905-00	1	7
Screw, Self Tap No. 6 x 3/8	90-09800-00	6	6
Screw, Sems Phl Pan Hd No. 6-32 x 5/8	90-00049-01	1	15
Shaft, Pivot Link	74-29216-01	3	3
Shield, Actuator	74-29607-01	2	5
Shim, Plastic	12-24328-02	6	15
Shim, Plastic	12-24328-01	2	15
Solenoid, Tubular	12-22089-01	3	9
Spring, Compression	12-22356-02	2	9
Spring, Compression	12-13656-03	1	19
Spring, Compression	12-22357-01	1	30
Spring, Compression	12-13656-04	6	11
Spring, Compression	12-19097-01	5	5
Spring, Compression	12-22358-01	1	34
Spring, Compression	12-12912-01	1	29
Spring, Head Bracket Extension	12-22895-01	1	9
Spring, Torsion	12-22538-01	3	10
Spring, Torsion	12-23742-01	1	32
Strain Relief, Head	74-29585-01	1	6
Switch, Micro	12-22274-03	3	11
Switch, Micro	12-22274-04	4	4
Switch, Push Button	12-21464-08	1	37
Switch, Thermal	12-22958-02	2	7

TK50 SORTED BY DESCRIPTION

<u>DESCRIPTION</u>	<u>PART NO.</u>	<u>FIG. NO.</u>	<u>ITEM</u>
TACHOMETER ASSEMBLY	70-21086-01	1	11
TACHOMETER ASSEMBLY	70-21086	6	0
TK50 Drive Module	54-15660-00	1	3
TK50 TAPE DRIVE	TK50-00	1	0
Washer, Flat	12-24692-02	1	13
Washer, Flat	12-24692-02	2	16
Washer, Flat Tachometer	90-10499-01	6	4
Washer, Internal Tooth Lock No. 6	90-09882-00	1	41
Washer, Spring	90-10506-01	1	27
Washer, Spring	90-10506-01	2	12