

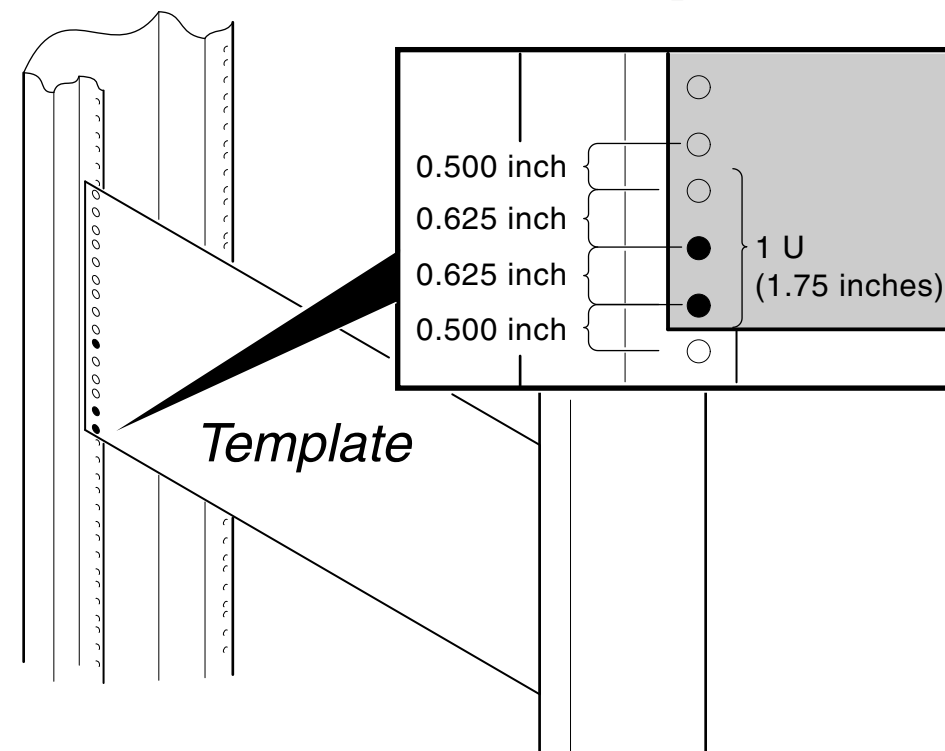
FRONT

H9A10/H9A15 Rack-Mounting Template for AlphaServer DS20E

NOTES:

The installation of the rackmount system requires 8.75 inches (5U) of vertical height in the cabinet.

You will also need the *Compaq AlphaServer DS20E Reference Guide* (shipped with your system).



- 1 Starting at the front of the cabinet, match the hole pattern.
- 2 Mark the six holes where you will be mounting hardware.
- 3 Turn the template over to mark the back of the cabinet.

BACK

H9A10/H9A15 Rack-Mounting Template for AlphaServer DS20E

4 Make sure the bottom hole you mark on the back is at the same vertical location as the bottom hole you marked on the front.

5 Mark the eight holes where you will be mounting hardware.

