

ILLUSTRATED PARTS BREAKDOWN **VAX 4000 Model 100 SYSTEM**

ILLUSTRATED PARTS BREAKDOWN (IPB)

The IPB is used to identify a part and its location in a hardware product. The document references specific item numbers in the associated parts list.

HOW TO USE THE IPB

1. Locate the figure containing the item of interest.
2. Locate the number (callout) of the item of interest.
3. Locate that item number in the associated parts list.

FORMAT

Each IPB is generally organized based on its first figure. All other assemblies and subassemblies are referenced from this figure. Each figure contains numeric callouts of all major parts (items).

PARTS LIST

Each parts list contains the following:

Figure and Item No. – Lists the figure number and its referenced numeric callout

Description – Presents the name and a brief description of the item. A single asterisk (*) preceding the description denotes item is a

subassembly to its referenced figure. A double asterisk (**) preceding the description indicates that this item is subordinate to the preceding single asterisk item.

DEC Part No. – Lists the Digital/Vendor part number. The letter in the column heading indicates the current revision level of the Engineering Drawing for the referenced figure.

ECO Cut-In – Lists the top assembly drawing number and revision level at first printing. All additional revisions to an item are listed in this column.

Used On Code – Lists letters referring to the product variation assigned in Figure 1. When this column is blank, the item is used in all variations.

Ref Fig No. – Lists a cross reference between figures within the IPB.

PART NUMBER/PART DESCRIPTION INDEX SECTION

Lists items by part number numerically, and description alphabetically. Items are also referenced to a location within the IPB by figure and item number.

ECO/REVISION HISTORY

OTHER MANUALS REFERENCED

FIGURE NO.	ASSEMBLY	INITIAL LEVEL	CURRENT LEVEL	PRINTING DATE	OTHER MANUALS REFERENCED
1	47DBM	00000	00000	9-NOV-92	N/A
2	70-27106	00000	00000		
3	70-26167	00000	00001		

Digital Equipment Corporation reserves the right, without notice, to make substitutions and modifications in the specifications of products documented in this manual and further reserves the right to withdraw any of these products from the market without notice.

Digital Equipment Corporation is not responsible for errors which may appear in the technical description (including illustrations and photographs) of the products covered by this manual.

None of the descriptions contained in this manual imply the granting of any license whatsoever to make, use or sell equipment constructed in accordance therewith.

Restricted Rights: Use, duplication or disclosure by the U.S. Government is subject to restrictions as set forth in subparagraph (c) (1) (ii) of the Rights in Technical Data and Computer Software clause at DFARS 252.227-2713.

Copyright © 1992 by Digital Equipment Corporation. All rights reserved.
Printed in U.S.A.

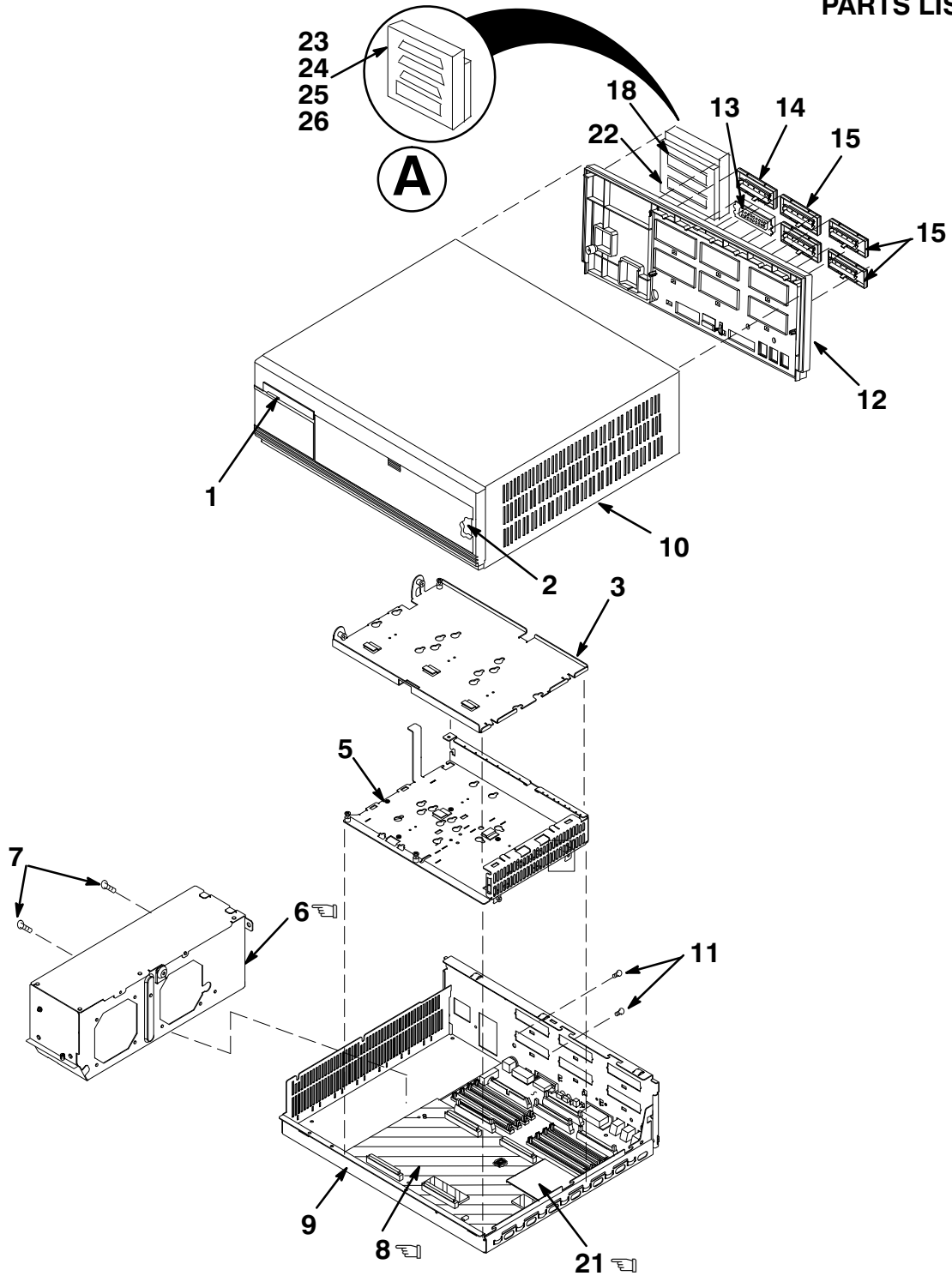
The postage-paid READER'S COMMENTS form on the last page of this document requests your critical evaluation to assist us in preparing future documentation.

The following are trademarks of Digital Equipment Corporation :

DEC, DECdirect, DECnet, NVAX, ThinWire, VAX 4000, VMS and the DIGITAL logo

 INDICATES FRU LEVEL PARTS.

PARTS LIST 



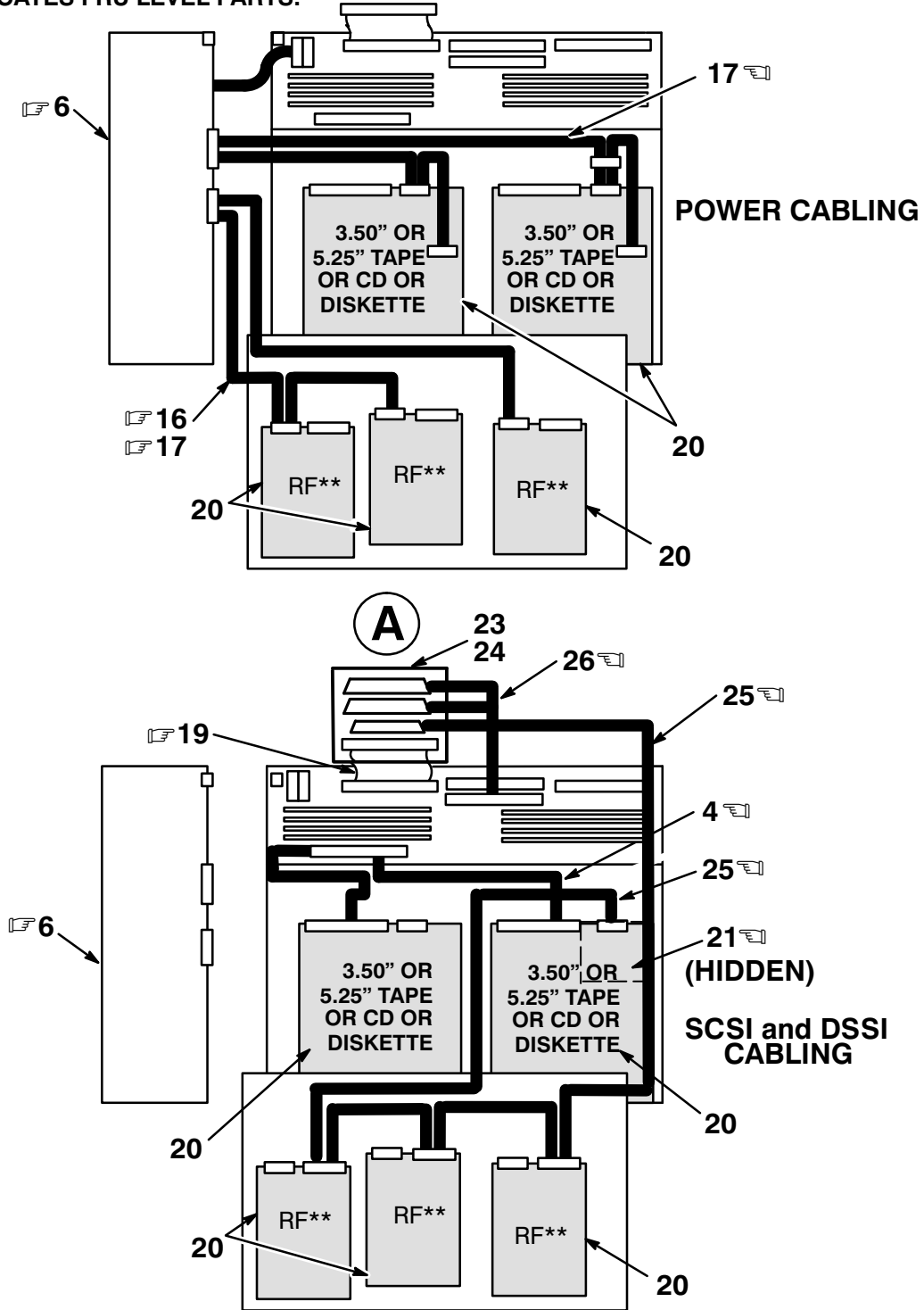
V4000-01-IL

**Figure 1. Enclosure, KA52 NVAX CPU BA42B Kernel (System Building Block)
(Sheet 1 of 2)**

☐ = OPTIONAL (SEE PART LIST)

PARTS LIST

☞ INDICATES FRU LEVEL PARTS.



V4000-01A-IL

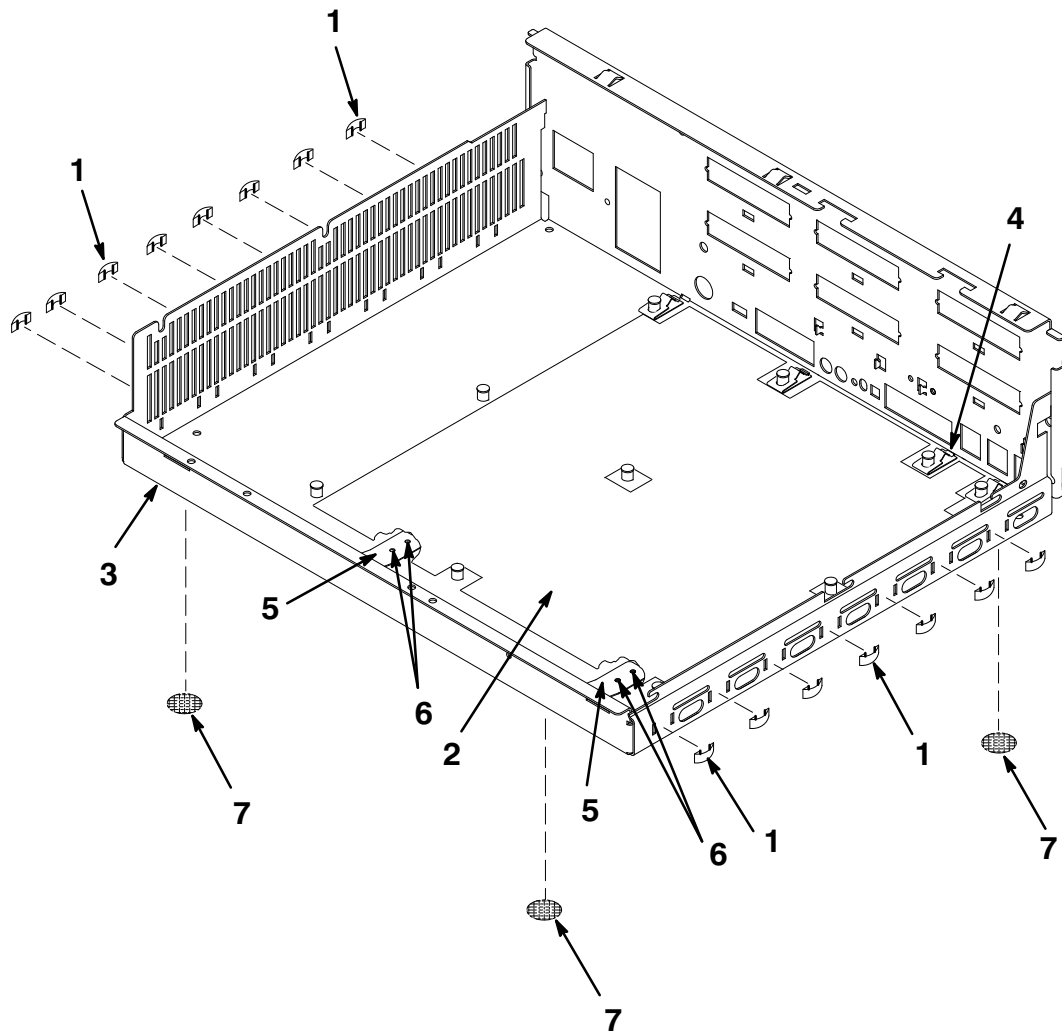
Figure 1. Enclosure, KA52 NVAX CPU BA42B Kernel (System Building Block)
(Sheet 2 of 2)

FIG. & ITEM NO.	DESCRIPTION	DEC PART NO. ^A	ECO CUT-IN 47DBM 00000	USED ON CODE	REF FIG NO.
1-	ENCLOSURE, KA52 NVAX CPU BA42B KERNEL (SYSTEM BUILDING BLOCK)	47DBM-B9			
1	*Medallion, VAX 4000-100	74-37642-28			
2	*Insert, Bezel (PVS)	74-38027-01			
3	*Shelf, Upper Drive Assembly	70-27109-01			
☞4	*Cable Assembly, With Clamp 90-11237-01	17-03016-01			
☞	*Cable Assembly, Flat 50 Way SCSI	17-03587-01			
5	*Shelf, Lower Drive Assembly	70-27108-01			
☞6	*Power Supply Assembly, 166 Watts 120V/240V	30-35042-01			
7	*Screw, Sems Pan Hd No. 6-32 x 5/16	90-09984-07			
☞8	*MODULE, CPU NVAX 128KB CACHE	54-21797-01			
☞	**Battery, 3 Cell 3.75V .18ma Nicad	12-19245-01			
9	*BASE ASSEMBLY,	70-27106-01			2
10	*COVER ASSEMBLY	70-26167-01			3
11	*Screw, Sems Pan Hd No 4-40 x 3/8	90-09643-00			
12	*Bezel Assembly, Rear	70-27107-01			
13	*Connector, SCSI Term 50 Position Champ HSG	12-30552-01			
14	*Cover, FCC Blanking Option	70-28539-01			
15	*Cover, FCC Blanking Comms	70-28539-02			
☞16	*Harness Assembly, Wire Used With B01 Etch	17-03574-01			
☞	*Harness Assembly, Wire Used With C01 Etch	17-03615-01			
☞17	*Cable Assembly, DC Harness	17-03018-01			
18	*Grommet, Caterpillar	12-25469-19			
☞19	*Cable Assembly, Flat 50 Way SCSI	17-02944-01			
20	*Drive Assemblies (See Note)	N/A			
☞21	*Module, DSSI Adapter	54-21837-01			
22	*Box, Port Expander	74-45705-01			
23	*PORT ASSEMBLY, BOX	70-22858-01			
24	**Expander, Port Cover	74-45706-01			
☞25	**Cable Assembly, 50 Conductor Round 30 AWG	17-03544-01			
☞26	**Cable Assembly, 100 Conductor	17-03545-01			
	Note: Drives are not part of this assembly and are shown for reference only. For more information on optional items, refer to the following VAX 4000-100 Platform Maintenance Information manuals:				
	Options Manual BA42-B Enclosure Maintenance	EK-474AA-OP EK-472AA-MG			

FIG. & ITEM NO.	DESCRIPTION	DEC PART NO. ^A	ECO CUT-IN 47DBM 00000	USED ON CODE	REF FIG NO.
1-	<p style="text-align: center;">LABELS (Not Shown)</p> <p>*Label, Product ID</p> <p>*Label, PTT</p> <p>*Label, Regulatory Canada</p> <p>*Label, Regulatory UK</p> <p>*Label, "Attention, Preinstalled Software"</p> <p>*Label, Diagnostic VS42A</p> <p>*Label, FTZ Postcard</p> <p>*Label, CE Mark</p> <p>*Label, OPA0 Console Port Arrow</p> <p style="text-align: center;">ITEMS (Not Shown)</p> <p>*Cable, Oval 25 ft. Data BC16E-25</p> <p>*Adapter, 25 Pin D-Sub to MMJ</p> <p>*Connector, Terminator</p> <p>*Cord, Power</p> <p>*Screw Assembly, Lock</p> <p style="text-align: center;">KIT (Not Shown)</p> <p>*KIT, Thick/ThinWire ETHERNET</p> <p>**Connector, 50 Ohms BNC Coax</p> <p>**Tee, BNC Coaxial</p> <p>**Connector, D-Sub 15 Position</p>	<p>36-36394-02</p> <p>36-36015-02</p> <p>36-30382-23</p> <p>36-30382-24</p> <p>36-28979-01</p> <p>36-30489-01</p> <p>36-30422-10</p> <p>36-36842-01</p> <p>36-39380-01</p> <p>17-00811-03</p> <p>H8575-A</p> <p>12-29258-01</p> <p>17-00606-02</p> <p>90-08451-00</p> <p>70-26209-01</p> <p>12-26318-01</p> <p>12-25869-01</p> <p>12-22196-01</p>			

FIG. & ITEM NO.	DESCRIPTION	A DEC PART NO.	ECO CUT-IN 70-27106 00000	USED ON CODE	REF FIG NO.
2-	BASE ASSEMBLY	70-27106-01			1
1	*Finger, Non-Snag Grounding	12-26922-01			
2	*Sheet, CPU Insulation	12-39980-01			
3	*Base	74-41871-01			
4	*Gasket, CPU Grounding	74-42429-01			
5	*Cantilever, CPU Retention	74-42448-01			
6	*Rivet, Repetition Clinch	90-00052-01			
7	*Foot, Self Adhesive	12-35649-01			

 INDICATES FRU LEVEL PARTS.

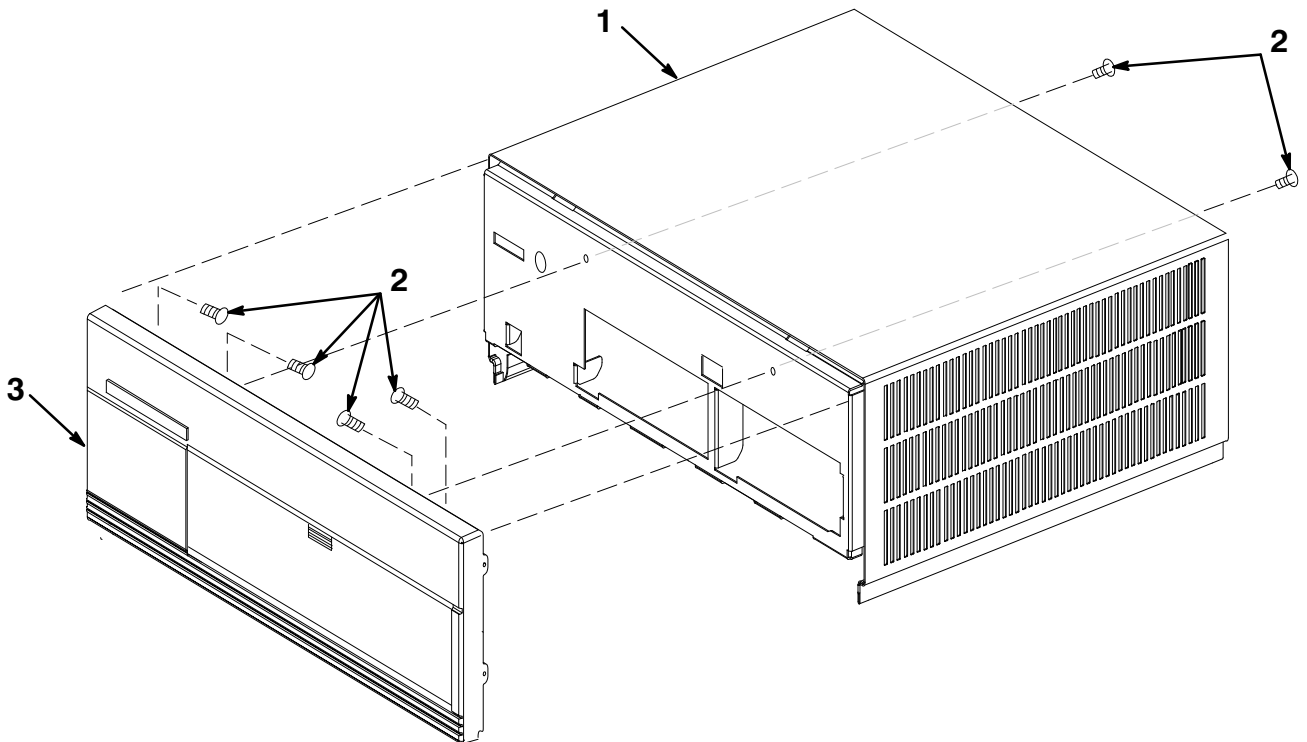


V4000-02-IL

Figure 2. Base Assembly

FIG. & ITEM NO.	DESCRIPTION	DEC PART NO.	ECO CUT-IN 70-26167 00000	USED ON CODE	REF FIG NO.
3-	COVER ASSEMBLY	70-26167-01			1
1	*Cover (Weldment)	70-26169-01			
2	*Screw, Self-Tap Flat Hd No. 4-20 x 3/16	90-10411-01			
3	*Bezel Assembly, Front	70-26168-01			

 INDICATES FRU LEVEL PARTS.



V4000-03-IL

Figure 3. Cover Assembly

PART NUMBER/DESCRIPTION INDEX 

THIS PAGE INTENTIONALLY LEFT BLANK

INDEX BY DEC PART NUMBER
VAX 4000 MODEL 100 SYSTEM

PART NO.	DESCRIPTION	FIG NO.	ITEM NO.
12-19245-01	Battery, 3 Cell 3.75V .18ma Nicad	1	8
12-22196-01	Connector, D-Sub 15 Position	1	Not Shown
12-25469-19	Grommet, Caterpillar	1	18
12-25869-01	Tee, BNC Coaxial	1	Not Shown
12-26318-01	Connector, 50 Ohms BNC Coax	1	Not Shown
12-26922-01	Finger, Non-Snag Grounding	2	1
12-29258-01	Connector, Terminator	1	Not Shown
12-30552-01	Connector, SCSI Term 50 Position Champ HSG	1	13
12-35649-01	Foot, Self Adhesive	2	7
12-39980-01	Sheet, CPU Insulation	2	2
17-00606-02	Cord, Power	1	Not Shown
17-00811-03	Cable, Oval 25 ft. Data BC16E-25	1	Not Shown
17-02944-01	Cable Assembly, Flat 50 Way SCSI	1	19
17-03018-01	Cable Assembly, DC Harness	1	17
17-03544-01	Cable Assembly, 50 Conductor Round 30 AWG	1	25
17-03545-01	Cable Assembly, 100 Conductor	1	26
17-03574-01	Harness Assembly, Wire	1	16
17-03587-01	Cable Assembly, Flat 50 Way SCSI	1	4
30-35042-01	Power Supply Assembly, 166 Watts 120V/240V	1	6
36-28979-01	Label, "Attention, Preinstalled Software"	1	Not Shown
36-30382-23	Label, Regulatory Canada	1	Not Shown
36-30382-24	Label, Regulatory UK	1	Not Shown
36-30422-10	Label, FTZ Postcard	1	Not Shown
36-30489-01	Label, Diagnostic VS42A	1	Not Shown
36-36015-02	Label, PTT	1	Not Shown
36-36394-02	Label, Product ID	1	Not Shown
36-36842-01	Label, CE Mark	1	Not Shown
36-39380-01	Label, OPA0 Console Port Arrow	1	Not Shown
47DBM-B9	ENCLOSURE, KA52 NVAX CPU BA42B KERNEL (SYSTEM BUILDING BLOCK)	1	N/A
54-21797-01	MODULE, CPU NVAX 128 KB CACHE	1	8
54-21837-01	Module, DSSI Adapter	1	21
70-22858-01	PORT ASSEMBLY, BOX	1	23
70-26167-01	COVER ASSEMBLY	1	10
70-26167-01	COVER ASSEMBLY	3	N/A
70-26168-01	Bezel Assembly, Front	3	3
70-26169-01	Cover (Weldment)	3	1
70-26209-01	KIT, Thick/ThinWire ETHERNET	1	Not Shown
70-27106-01	BASE ASSEMBLY	1	9
70-27106-01	BASE ASSEMBLY	2	N/A
70-27107-01	Bezel Assembly, Rear	1	12
70-27108-01	Shelf, Lower Drive Assembly	1	5
70-27109-01	Shelf, Upper Drive Assembly	1	3
70-28539-01	Cover, FCC Blanking Option	1	14
70-28539-02	Cover, FCC Blanking Comms	1	15
74-37642-28	Medallion, VAX 4000-100	1	1
74-38027-01	Insert, Bezel (PVS)	1	2
74-41871-01	Base	2	3
74-42429-01	Gasket, CPU Grounding	2	4
74-42448-01	Cantilever, CPU Retention	2	5
74-45705-01	Box, Port Expander	1	22
74-45706-01	Expander, Port Cover	1	24

INDEX BY DEC PART NUMBER
VAX 4000 MODEL 100 SYSTEM

PART NO.	DESCRIPTION	FIG NO.	ITEM NO.
90-00052-01	Rivet, Repetition Clinch	2	6
90-08451-00	Screw Assembly, Lock	1	Not Shown
90-09643-00	Screw, Sems Pan Hd No 4-40 x 3/8	1	11
90-09984-07	Screw, Sems Pan Hd No. 6-32 x 5/16	1	7
90-10411-01	Screw, Self-Tap Flat Hd No. 4-20 x 3/16	3	2
H8575-A	Adapter, 25 Pin D-Sub to MMJ	1	Not Shown

INDEX BY DEC PART DESCRIPTION
VAX 4000 MODEL 100 SYSTEM

DESCRIPTION	DEC PART NO.	FIG. NO.	ITEM NO.
Adapter, 25 Pin D-Sub to MMJ	H8575-A	1	Not Shown
BASE ASSEMBLY	70-27106-01	1	9
BASE ASSEMBLY	70-27106-01	2	N/A
Base	74-41871-01	2	3
Battery, 3 Cell 3.75V .18ma Nicad	12-19245-01	1	8
Bezel Assembly, Front	70-26168-01	3	3
Bezel Assembly, Rear	70-27107-01	1	12
Box, Port Expander	74-45705-01	1	22
Cable Assembly, 100 Conductor	17-03545-01	1	26
Cable Assembly, 50 Conductor Round 30 AWG	17-03544-01	1	25
Cable Assembly, DC Harness	17-03018-01	1	17
Cable Assembly, Flat 50 Way SCSI	17-02944-01	1	19
Cable Assembly, Flat 50 Way SCSI	17-03587-01	1	4
Cable, Oval 25 ft. Data (BC16E-25)	17-00811-03	1	Not Shown
Cantilever, CPU Retention	74-42448-01	2	5
Connector, 50 Ohms BNC Coax	12-26318-01	1	Not Shown
Connector, D-Sub 15 Position	12-22196-01	1	Not Shown
Connector, SCSI Term 50 Position Champ HSG	12-30552-01	1	13
Connector, Terminator	12-29258-01	1	Not Shown
Cord, Power	17-00606-02	1	Not Shown
COVER ASSEMBLY	70-26167-01	1	10
COVER ASSEMBLY	70-26167-01	3	N/A
Cover (Weldment)	70-26169-01	3	1
Cover, FCC Blanking Comms	70-28539-02	1	15
Cover, FCC Blanking Option	70-28539-01	1	14
Drive Assemblies	N/A	1	20
ENCLOSURE, KA52 NVAX CPU BA42B KERNEL (SYSTEM BUILDING BLOCK)	47DBM-B9	1	N/A
Expander, Port Cover	74-45706-01	1	24
Finger, Non-Snag Grounding	12-26922-01	2	1
Foot, Self Adhesive	12-35649-01	2	7
Gasket, CPU Grounding	74-42429-01	2	4
Grommet, Caterpillar	12-25469-19	1	18
Harness Assembly, Wire	17-03574-01	1	16
Insert, Bezel (PVS)	74-38027-01	1	2
KIT, Thick/ThinWire ETHERNET	70-26209-01	1	Not Shown
Label, "Attention, Preinstalled Software"	36-28979-01	1	Not Shown
Label, CE Mark	36-36842-01	1	Not Shown
Label, Diagnostic VS42A	36-30489-01	1	Not Shown
Label, FTZ Postcard	36-30422-10	1	Not Shown
Label, OPA0 Console Port Arrow	36-39380-01	1	Not Shown
Label, PTT	36-36015-02	1	Not Shown
Label, Product ID	36-36394-02	1	Not Shown
Label, Regulatory Canada	36-30382-23	1	Not Shown
Label, Regulatory UK	36-30382-24	1	Not Shown

INDEX BY DEC PART DESCRIPTION
VAX 4000 MODEL 100 SYSTEM

DESCRIPTION	DEC PART NO.	FIG. NO.	ITEM NO.
Medallion, VAX 4000-100	74-37642-28	1	1
MODULE, CPU NVAX 128 KB CACHE	54-21797-01	1	8
Module, DSSI Adapter	54-21837-01	1	21
PORT ASSEMBLY, BOX	70-22858-01	1	23
Power Supply Assembly, 166 Watts 120V/240V	30-35042-01	1	6
Rivet, Repetition Clinch	90-00052-01	2	6
Screw Assembly, Lock	90-08451-00	1	Not Shown
Screw, Self-Tap Flat Hd No. 4-20 x 3/16	90-10411-01	3	2
Screw, Sems Pan Hd No 4-40 x 3/8	90-09643-00	1	11
Screw, Sems Pan Hd No. 6-32 x 5/16	90-09984-07	1	7
Sheet, CPU Insulation	12-39980-01	2	2
Shelf, Lower Drive Assembly	70-27108-01	1	5
Shelf, Upper Drive Assembly	70-27109-01	1	3
Tee, BNC Coaxial	12-25869-01	1	Not Shown

READER'S COMMENTS

VAX 4000 Model 100 SYSTEM
Illustrated Parts Breakdown
EK-470AA-IP. A01

1. How did you use this manual? (Circle your response.)

- (a) Installation (c) Maintenance (e) Training
(b) Operation/Use (d) Programming (f) Other (Please specify) _____

2. Did the manual meet your needs? Yes No Why? _____

3. Please rate the manual on the following categories. (Circle your response.)

	Excellent	Good	Fair	Poor	Unacceptable
Accuracy	5	4	3	2	1
Clarity	5	4	3	2	1
Completeness	5	4	3	2	1
Illustrations, examples	5	4	3	2	1
Overall ease of use	5	4	3	2	1
Table of Content, Index	5	4	3	2	1

4. What things did you like *most* about this manual? _____

5. What things did you like *least* about this manual? _____

6. Please list and describe any errors you found in the manual.

Page	Description/Location of Error
_____	_____
_____	_____
_____	_____
_____	_____

7. Which of the following most clearly describes your job ? (Circle your response.)

- (a) Administrative Support (e) System Manager (i) Education/Trainer
(b) Manager/Supervisor (f) Computer Operator (j) Sales/Marketing
(c) Scientist/Engineer (g) Software Support (k) Other (Please specify) _____
(d) Programmer/Analyst (h) Hardware Support

OPTIONAL INFORMATION

Name _____ Job Title _____
Street _____ Company _____
City _____ Department _____
State/Country _____ Telephone Number _____
Postal (ZIP) Code _____ Date _____

THANK YOU FOR YOUR COMMENTS AND SUGGESTIONS.

Please do not use this form to order manuals. Contact your representative at Digital Equipment Corporation or (in the USA) call our DECdirect™ department at this toll-free number : 800-344-4825