

**ILLUSTRATED
PARTS
BREAKDOWN**

**DECstation/DECsystem 5000
MODELS 50/150/260**

ILLUSTRATED PARTS BREAKDOWN (IPB)

The IPB is used to identify a part and its location in a hardware product. The document references specific item numbers in the associated parts list.

HOW TO USE THE IPB

1. Locate the figure containing the item of interest.
2. Locate the number (callout) of the item of interest.
3. Locate that item number in the associated parts list.

FORMAT

Each IPB is generally organized based on its first figure. All other assemblies and subassemblies are referenced from this figure. Each figure contains numeric callouts of all major parts (items).

PARTS LIST

Each parts list contains the following:

Figure and Item No. – Lists the figure number and its referenced numeric callout

Description – Presents the name and a brief description of the item. A single asterisk (*) preceding the description denotes item is a

subassembly to its referenced figure. A double asterisk (**) preceding the description indicates that this item is subordinate to the preceding single asterisk item.

DEC Part No. – Lists the Digital/Vendor part number. The letter in the column heading indicates the current revision level of the Engineering Drawing for the referenced figure.

ECO Cut-In – Lists the top assembly drawing number and revision level at first printing. All additional revisions to an item are listed in this column.

Used On Code – Lists letters referring to the product variation assigned in Figure 1. When this column is blank, the item is used in all variations.

Ref Fig No. – Lists a cross reference between figures within the IPB.

PART NUMBER/PART DESCRIPTION INDEX SECTION

Lists items by part number numerically, and description alphabetically. Items are also referenced to a location within the IPB by figure and item number.

ECO/REVISION HISTORY

**OTHER IPB
MANUALS
REFERENCED**

| FIGURE NO. | ASSEMBLY | INITIAL LEVEL | CURRENT LEVEL | PRINTING DATE | OTHER IPB MANUALS REFERENCED |
|------------|----------|---------------|---------------|---------------|------------------------------|
| 1 | PM40A | 00000 | 00000 | 9-JUL-93 | N/A |
| 2 | PM40B | 00000 | 00000 | | |
| 3 | PM41B | 00000 | 00000 | | |
| 4 | 70-28357 | 00002 | 00002 | | |
| 5 | PM43B | 00000 | 00000 | | |
| 6 | 70-28322 | 00004 | 00004 | | |
| 7 | PM48A | 00000 | 00000 | | |
| 8 | PM48B | 00000 | 00000 | | |
| 9 | PM49B | 00000 | 00000 | | |
| 10 | 70-28350 | 00001 | 00001 | | |
| 11 | 70-28348 | 00002 | 00002 | | |

Digital Equipment Corporation reserves the right, without notice, to make substitutions and modifications in the specifications of products documented in this manual and further reserves the right to withdraw any of these products from the market without notice.

Digital Equipment Corporation is not responsible for errors which may appear in the technical description (including illustrations and photographs) of the products covered by this manual.

None of the descriptions contained in this manual imply the granting of any license whatsoever to make, use or sell equipment constructed in accordance therewith.

Restricted Rights: Use, duplication or disclosure by the U.S. Government is subject to restrictions as set forth in subparagraph (c) (1) (ii) of the Rights in Technical Data and Computer Software clause at DFARS 252.227-2713.

Copyright © 1993 by Digital Equipment Corporation. All rights reserved.
Printed in U.S.A.

The postage-paid READER'S COMMENTS form on the last page of this document requests your critical evaluation to assist us in preparing future documentation.

The following are trademarks of Digital Equipment Corporation :

CX, DECdirect, DECstation, DECsystem, RRD42, RX, RZ and the DIGITAL logo.

Personal DECstation 5000 Model 50
DECsystem 5000 Model 50



INDICATES FRU LEVEL PARTS.

PARTS LIST

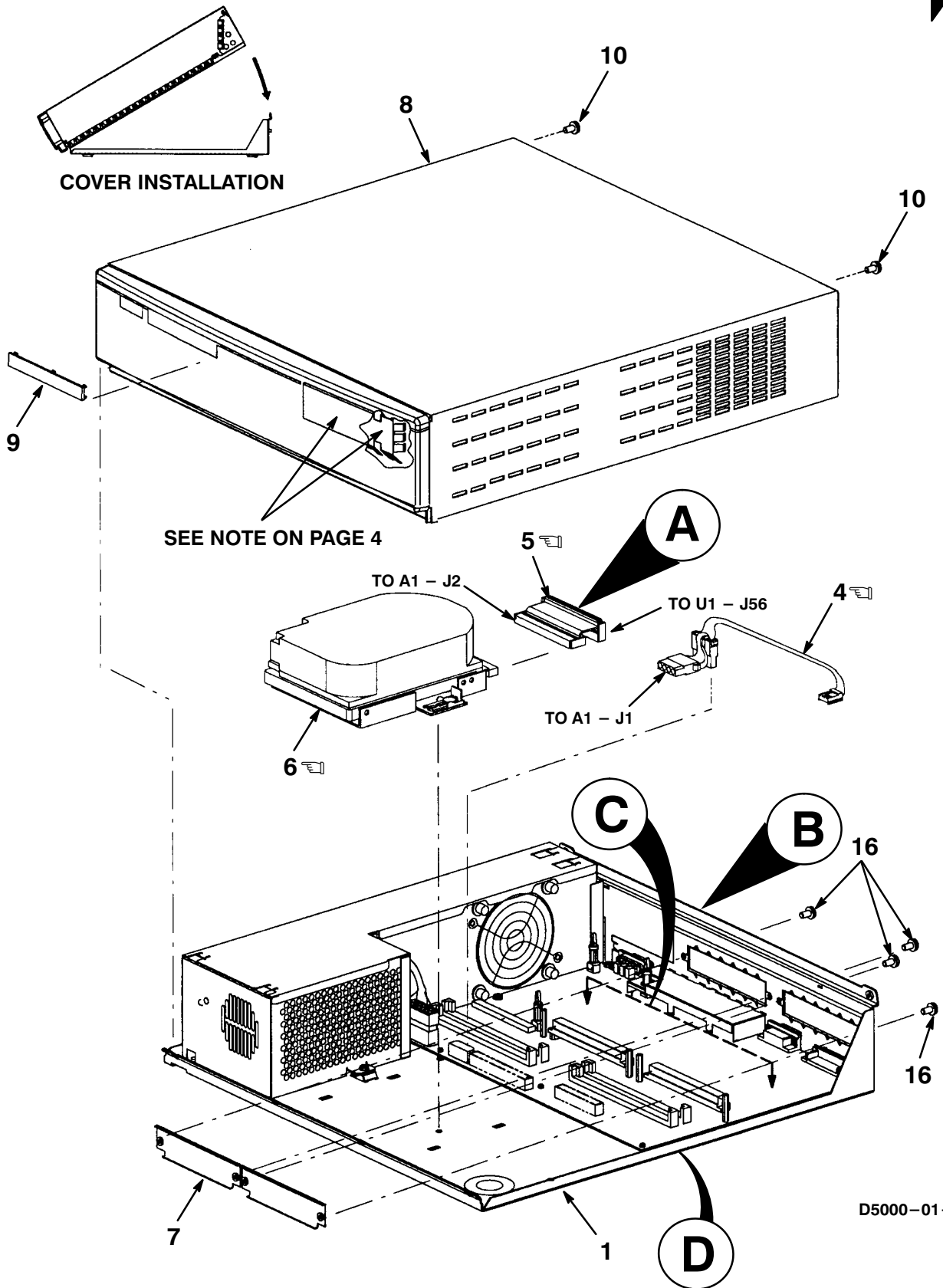
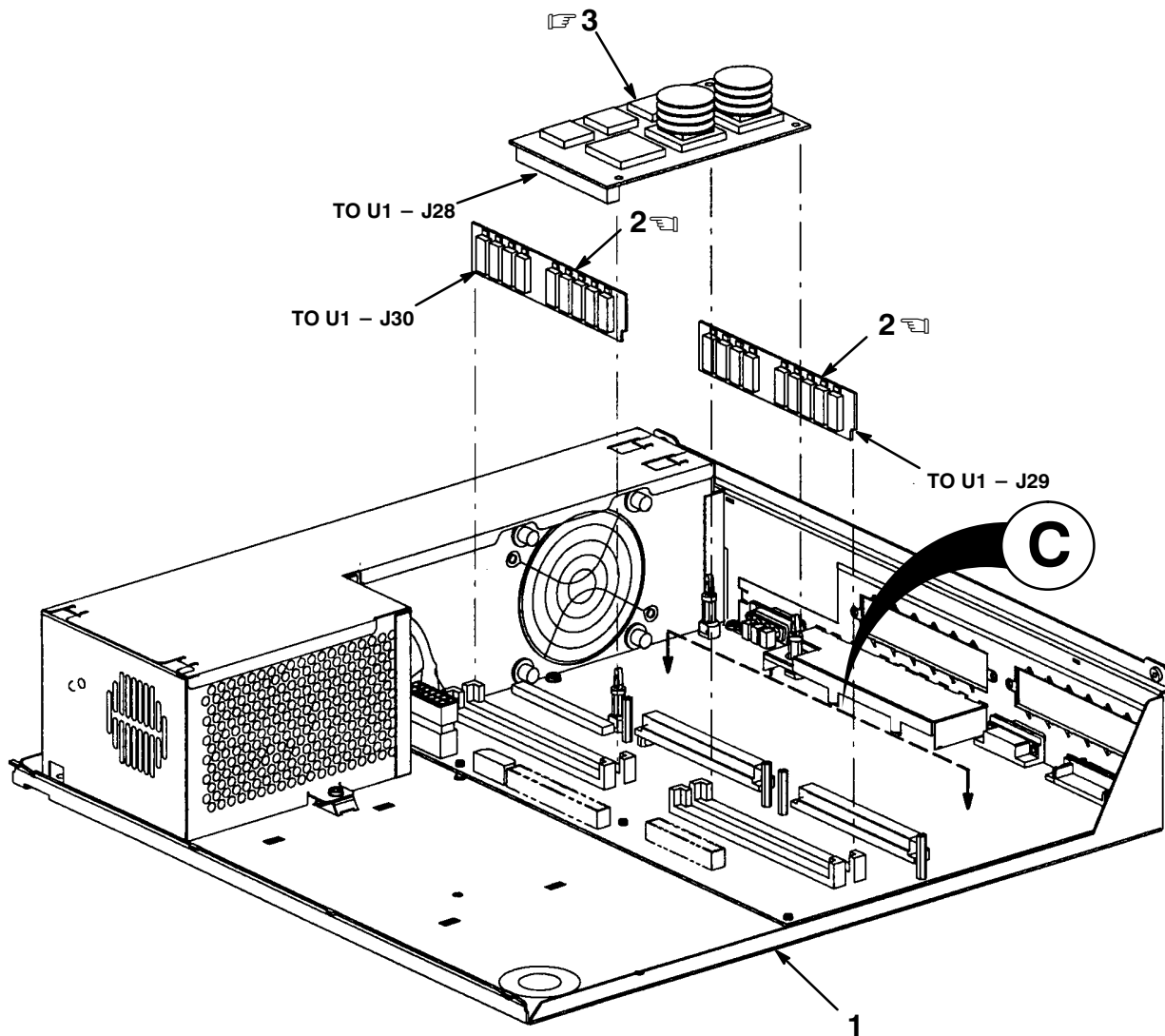


Figure 1. Personal DECstation 5000 Model 50 Custom Kernel Assembly (Sheet 1 of 3)

  INDICATES FRU LEVEL PARTS.



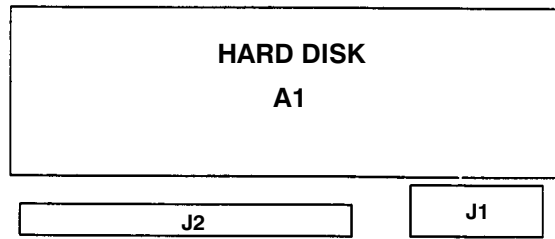
D5000-01A-SC

Figure 1. Personal DECstation 5000 Model 50 Custom Kernel Assembly (Sheet 2 of 3)

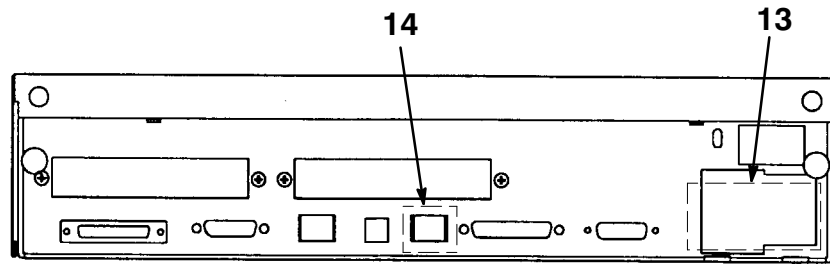


INDICATES FRU LEVEL PARTS.

PARTS LIST

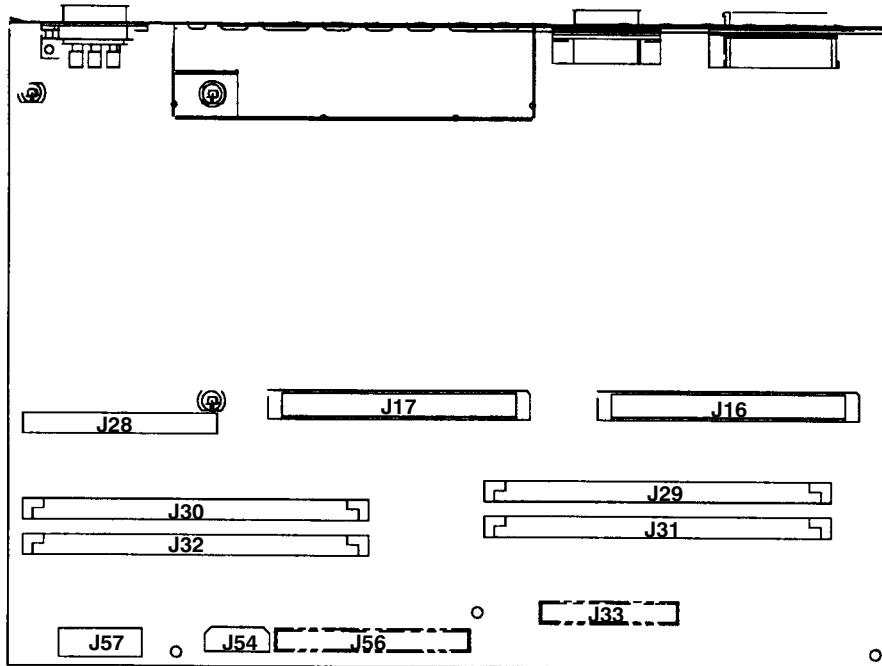


A

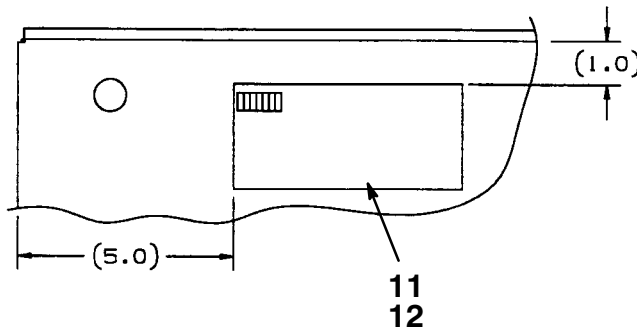


B

REAR VIEW



C



D

D5000-01B-SC

Figure 1. Personal DECstation 5000 Model 50 Custom Kernel Assembly (Sheet 3 of 3)

| FIG. & ITEM NO. | DESCRIPTION | DEC PART NO. ^A | ECO CUT-IN PM40A 00000 | USED ON CODE | REF FIG NO. |
|-----------------|---|---------------------------|------------------------|--------------|-------------|
| 1- | PERSONAL DECstation 5000 MODEL 50 CUSTOM KERNEL ASSEMBLY | N/A | | | |
| | Code A – Model PM40A–AP (50 MHZ, 8 MB Memory, Base Graphics, RZ25 Disk Drive) | PM40A–AP | | A | |
| | Code B – Model PM40A–CP (50 MHZ, 8 MB Memory, 1 MS01–CA, 16 MB Parity Memory, 4 Mbit DRAM Chip) | PM40A–CP | | B | |
| 1 | *SYSTEM BOX ASSEMBLY, COMMON | 70–28357–02 | | | 4 |
| ☞ 2 | *Module, SIMM Hybrid Memory 4M x 18 Bit | 57–34320–01 | | B | |
| ☞ 3 | *Module, R4000 | 54–21874–01 | | | |
| ☞ 4 | *Wire Harness Assembly, 04 Cond, 22 AWG | 17–03357–01 | | | |
| ☞ 5 | *Cable Assembly, 50 Cond, Flat | 17–01626–05 | | | |
| ☞ 6 | *Disk Drive Assembly, 3 1/2 Inch SCSI, 426 MB | RZ25–EP | | | |
| 7 | *Bulkhead Assembly, PM300 Blank | 74–41143–05 | | | |
| 8 | *Cover Assembly, Top | 70–28353–02 | | | |
| 9 | *Medallion, DECstation 5000/50 | 74–41856–13 | | | |
| 10 | *Screw, Self–Tap Pan Hd No. 6 x 1/4 | 90–00062–10 | | | |
| 11 | *Label, “Regulatory” (U.S.) | 36–35152–11 | | | |
| 12 | *Label, “Regulatory” (U.K.) | 36–35152–12 | | | |
| 13 | *Label, “Attention Pre–Installed Software” | 36–28979–01 | | | |
| 14 | *Label, Blank, 1 Inch x 1 Inch | 36–37572–01 | | | |
| | ITEM (Not Shown) | | | | |
| | *Package Assembly | 37–01295–03 | | | |
| | NOTE: For Units With Disk Drives, Remove Blank Bezel (74–46387–01), Then Remove Blank Shield (74–46395–01). | | | | |

INDICATES FRU LEVEL PARTS.

PARTS LIST

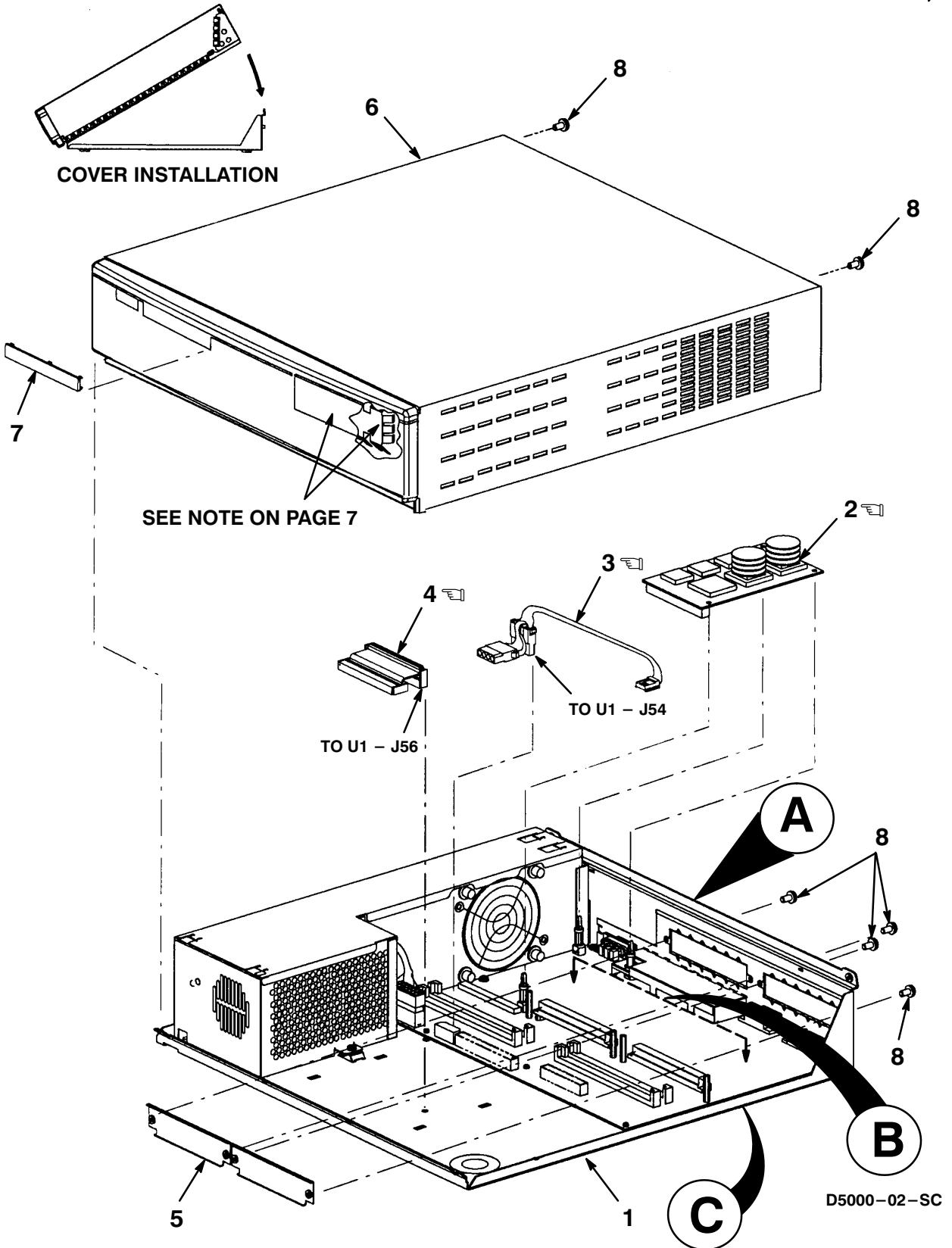
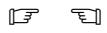
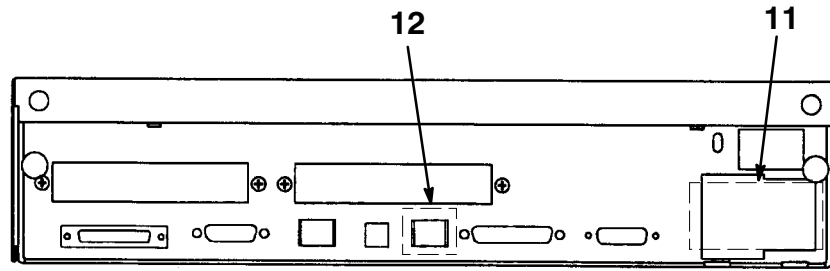


Figure 2. Personal DECstation 5000 Model 50 System Kernel Assembly (Sheet 1 of 2)

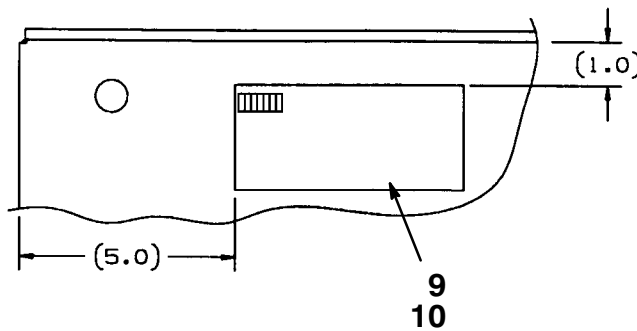
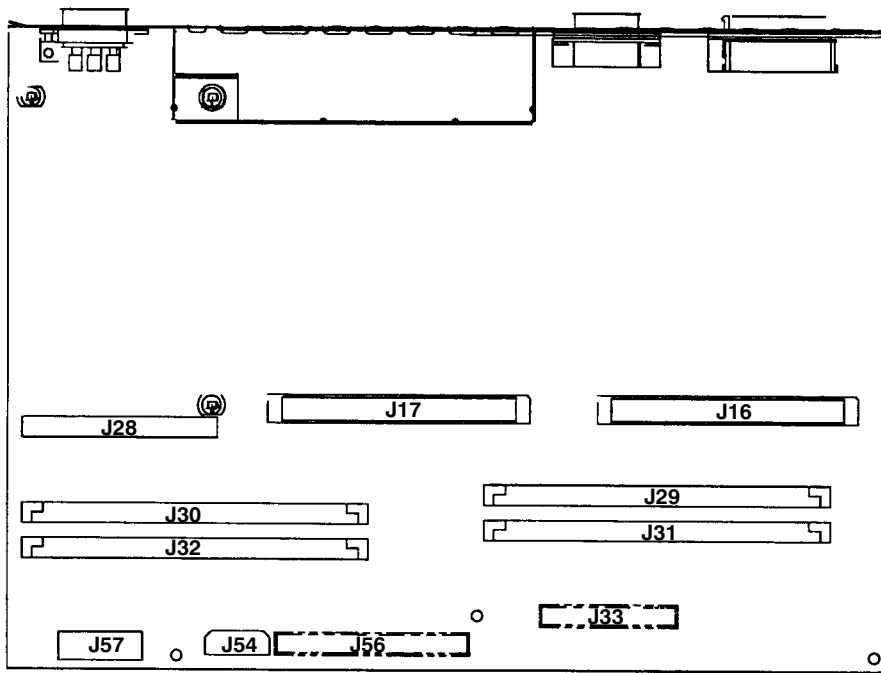


INDICATES FRU LEVEL PARTS.

PARTS LIST



REAR VIEW



D5000-02A-SC

Figure 2. Personal DECstation 5000 Model 50 System Kernel Assembly (Sheet 2 of 2)

| FIG. & ITEM NO. | DESCRIPTION | DEC PART NO. ^A | ECO CUT-IN PM40B 00000 | USED ON CODE | REF FIG NO. |
|-----------------|---|---------------------------|------------------------|--------------|-------------|
| 2- | PERSONAL DECstation 5000 MODEL 50 SYSTEM KERNEL ASSEMBLY (50 MHZ, 8 MB Memory, Base Graphics, Diskless) | PM40B-AY | | | |
| 1 | *SYSTEM BOX ASSEMBLY, COMMON | 70-28357-02 | | | 4 |
| ☞ 2 | *Module, R4000 | 54-21874-01 | | | |
| ☞ 3 | *Wire Harness Assembly, 04 Cond, 22 AWG | 17-03357-01 | | | |
| ☞ 4 | *Cable Assembly, 50 Cond, Flat | 17-01626-05 | | | |
| 5 | *Bulkhead Assembly, PM300 Blank | 74-41143-05 | | | |
| 6 | *Cover Assembly, Top | 70-28353-02 | | | |
| 7 | *Medallion, DECstation 5000/50 | 74-41856-13 | | | |
| 8 | *Screw, Self-Tap Pan Hd No. 6 x 1/4 | 90-00062-10 | | | |
| 9 | *Label, "Regulatory" (U.S.) | 36-35152-11 | | | |
| 10 | *Label, "Regulatory" (U.K.) | 36-35152-12 | | | |
| 11 | *Label, "Attention Pre-Installed Software" | 36-28979-01 | | | |
| 12 | *Label, Blank, 1 Inch x 1 Inch | 36-37572-01 | | | |
| | ITEM (Not Shown) | | | | |
| | *Package Assembly | 37-01295-03 | | | |
| | NOTE: For Units With Disk Drives, Remove Blank Bezel (74-46387-01), Then Remove Blank Shield (74-46395-01). | | | | |

THIS PAGE INTENTIONALLY LEFT BLANK



INDICATES FRU LEVEL PARTS.

PARTS LIST

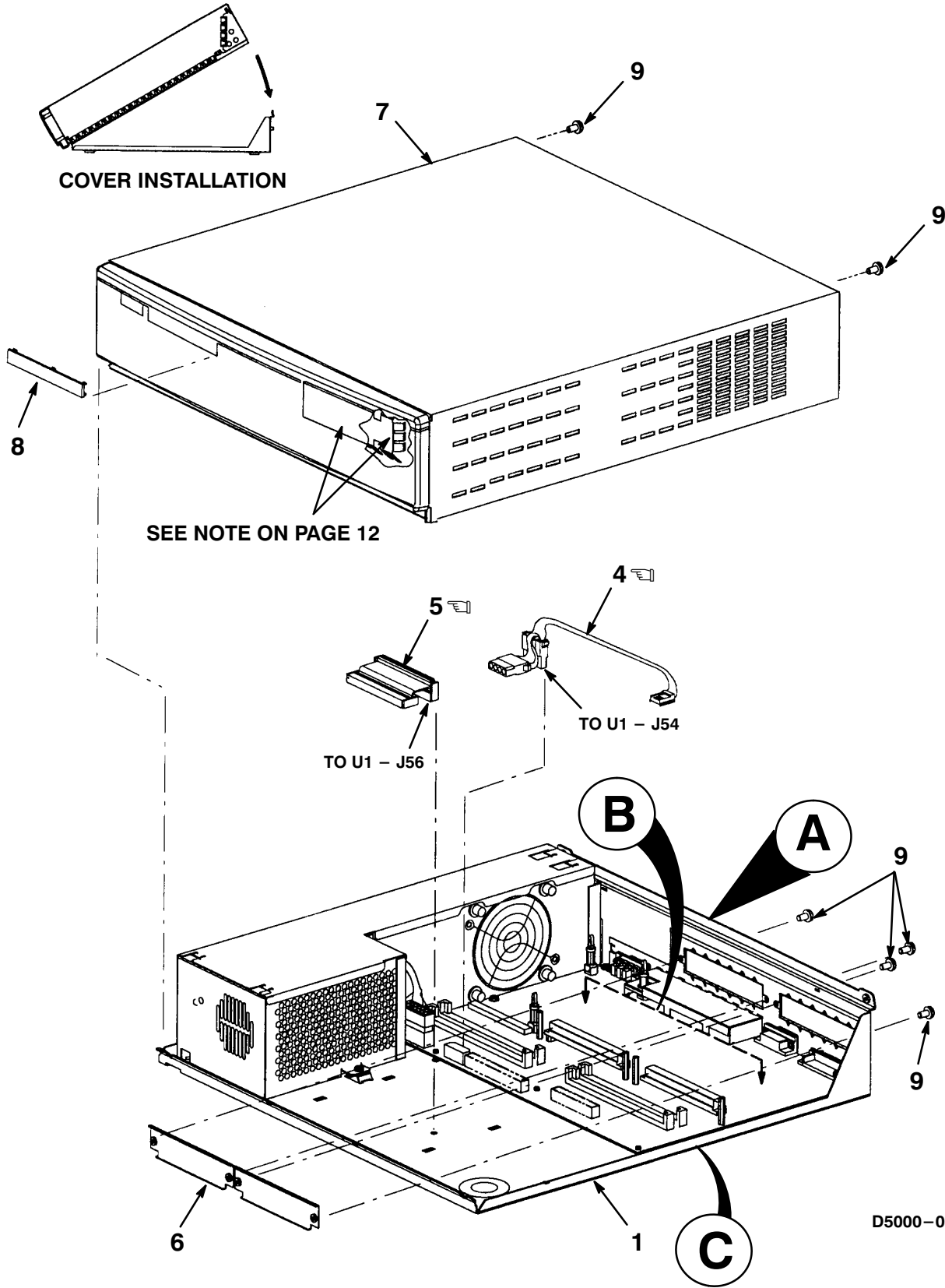
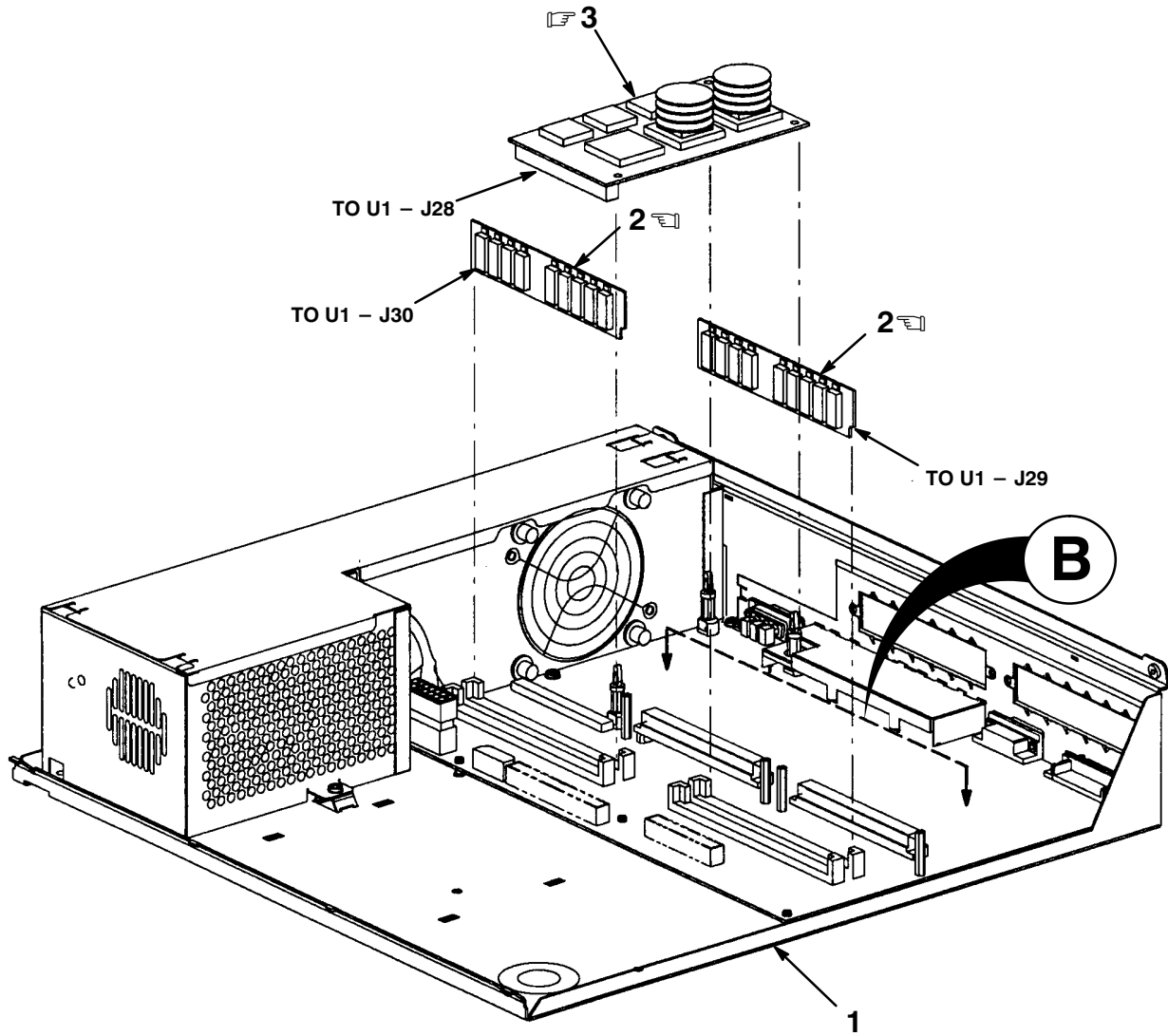


Figure 3. DECsystem 5000 Model 50 Server Kernel Assembly (Sheet 1 of 3)



INDICATES FRU LEVEL PARTS.

PARTS LIST



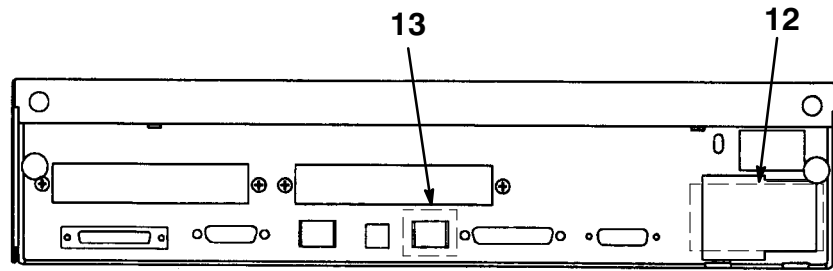
D5000-03A-SC

Figure 3. DECsystem 5000 Model 50 Server Kernel Assembly (Sheet 2 of 3)



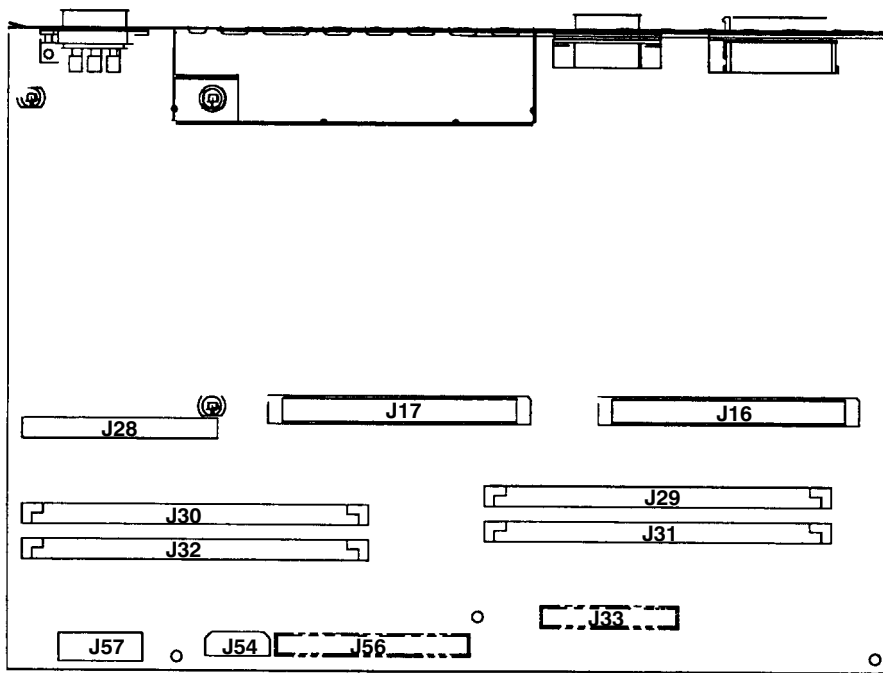
INDICATES FRU LEVEL PARTS.

PARTS LIST

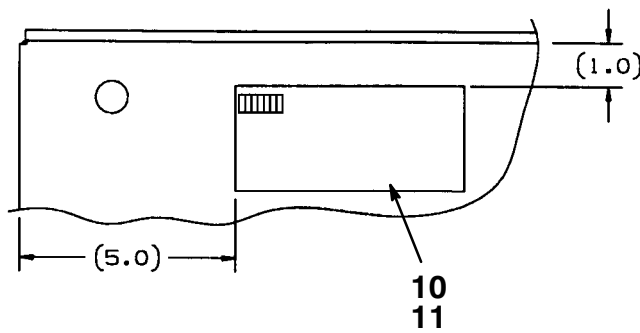


A

REAR VIEW



B



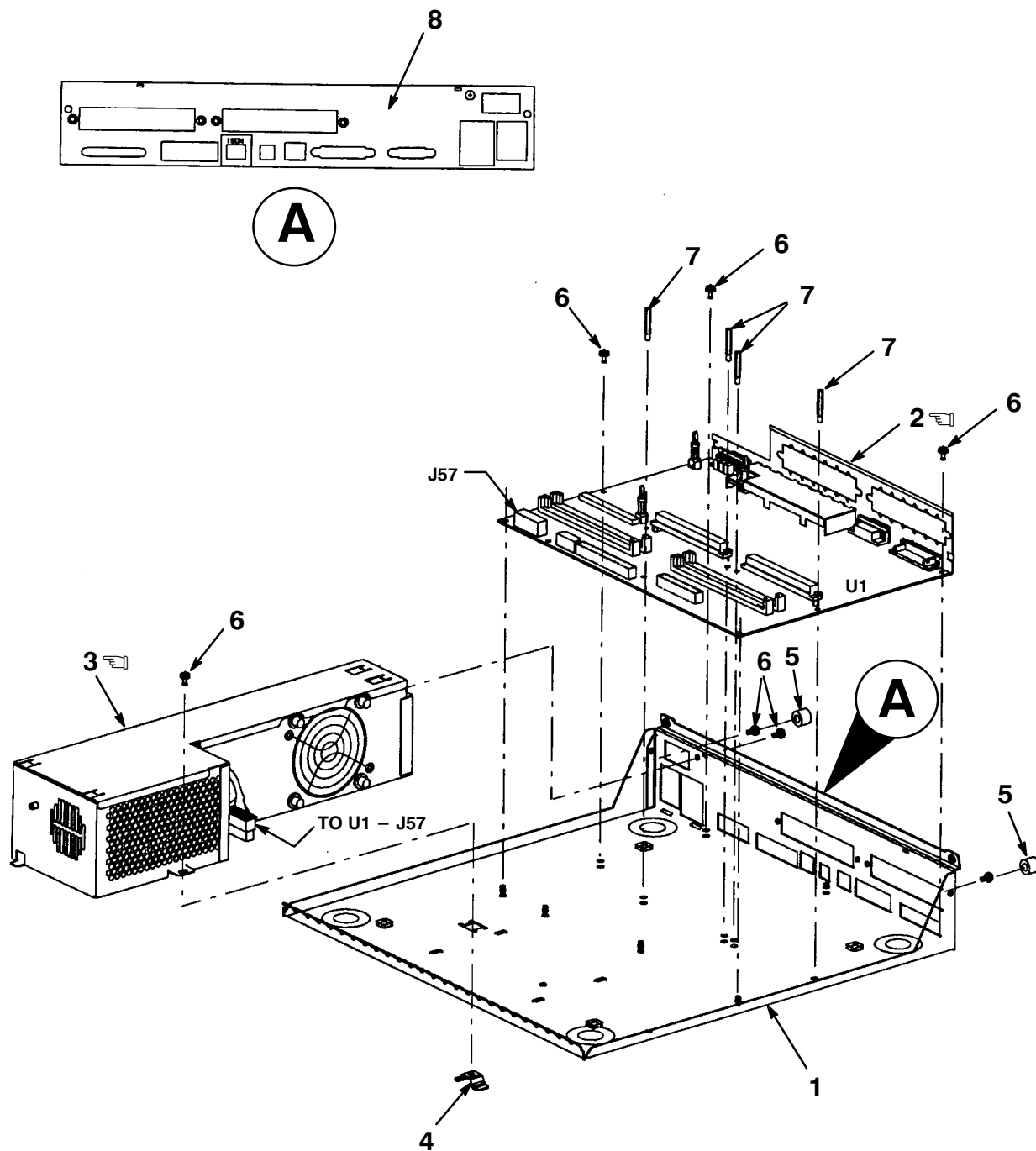
C

D5000-03B-SC

Figure 3. DECsystem 5000 Model 50 Server Kernel Assembly (Sheet 3 of 3)

| FIG. & ITEM NO. | DESCRIPTION | DEC PART NO. ^A | ECO CUT-IN PM41B 00000 | USED ON CODE | REF FIG NO. |
|-----------------|---|---------------------------|------------------------|--------------|-------------|
| 3- | DECsystem 5000 MODEL 50 SERVER KERNEL ASSEMBLY | N/A | | | |
| | Code A – Model PM41B–AY (50 MHZ, 8 MB Memory, Diskless) | PM41B–AY | | A | |
| | Code B – Model PM41B–CY (50 MHZ, 8 MB Memory, Diskless) | PM41B–CY | | B | |
| 1 | *SYSTEM BOX ASSEMBLY, COMMON | 70–28357–02 | | | 4 |
| ☞ 2 | *Module, SIMM Hybrid Memory 4M x 18 Bit | 57–34320–01 | | B | |
| ☞ 3 | *Module, R4000 | 54–21874–01 | | | |
| ☞ 4 | *Wire Harness Assembly, 04 Cond, Flat | 17–03357–01 | | | |
| ☞ 5 | *Cable Assembly, 50 Cond, Flat | 17–01626–05 | | | |
| 6 | *Bulkhead Assembly, PM 300 Blank | 74–41143–05 | | | |
| 7 | *Cover Assembly, Top | 70–28353–02 | | | |
| 8 | *Medallion, DECstation 5000/50 | 74–41856–13 | | | |
| 9 | *Screw, Self–Tap Pan Hd No. 6 x 1/4 | 90–00062–10 | | | |
| 10 | *Label, “Regulatory” (U.S.) | 36–35152–11 | | | |
| 11 | *Label, “Regulatory” (U.K.) | 36–35152–12 | | | |
| 12 | *Label, “Attention Pre–Installed Software” | 36–28979–01 | | | |
| 13 | *Label, Blank, 1 Inch x 1 Inch | 36–37572–01 | | | |
| | ITEM (Not Shown) | | | | |
| | *Package Assembly | 37–01295–03 | | | |
| | NOTE: For Units With Disk Drives, Remove Blank Bezel (74–46387–01), Then Remove Blank Shield (74–46395–01). | | | | |

INDICATES FRU LEVEL PARTS.



D5000-04-SC

Figure 4. System Box Assembly, Common

| FIG. & ITEM NO. | DESCRIPTION | DEC PART NO. ^c | ECO CUT-IN 70-28357 00002 | USED ON CODE | REF FIG NO. |
|-----------------------|--|------------------------------|------------------------------------|--------------------|-------------------|
| 4- | SYSTEM BOX ASSEMBLY, COMMON | 70-28357-02 | | | 1,2,3 |
| 1 | *Plate, Base | 74-44241-02 | | | |
| ☞ 2 | *Module, System | 54-21325-01 | | | |
| ☞ 3 | *Power Supply, 113W, 5.1V @ 15A, 12.1V @ 3A 120V/240V | H7817-AA | | | |
| 4 | *Bracket, Support | 74-45825-01 | | | |
| 5 | *Bumper | 12-37642-01 | | | |
| 6 | *Screw, Sems Pan Hd No. 6-32 x 5/16 | 90-00062-10 | | | |
| 7 | *Standoff, Male/Female Hex | 90-00001-71 | | | |
| 8 | *Label, "I/O" | 36-37156-01 | | | |

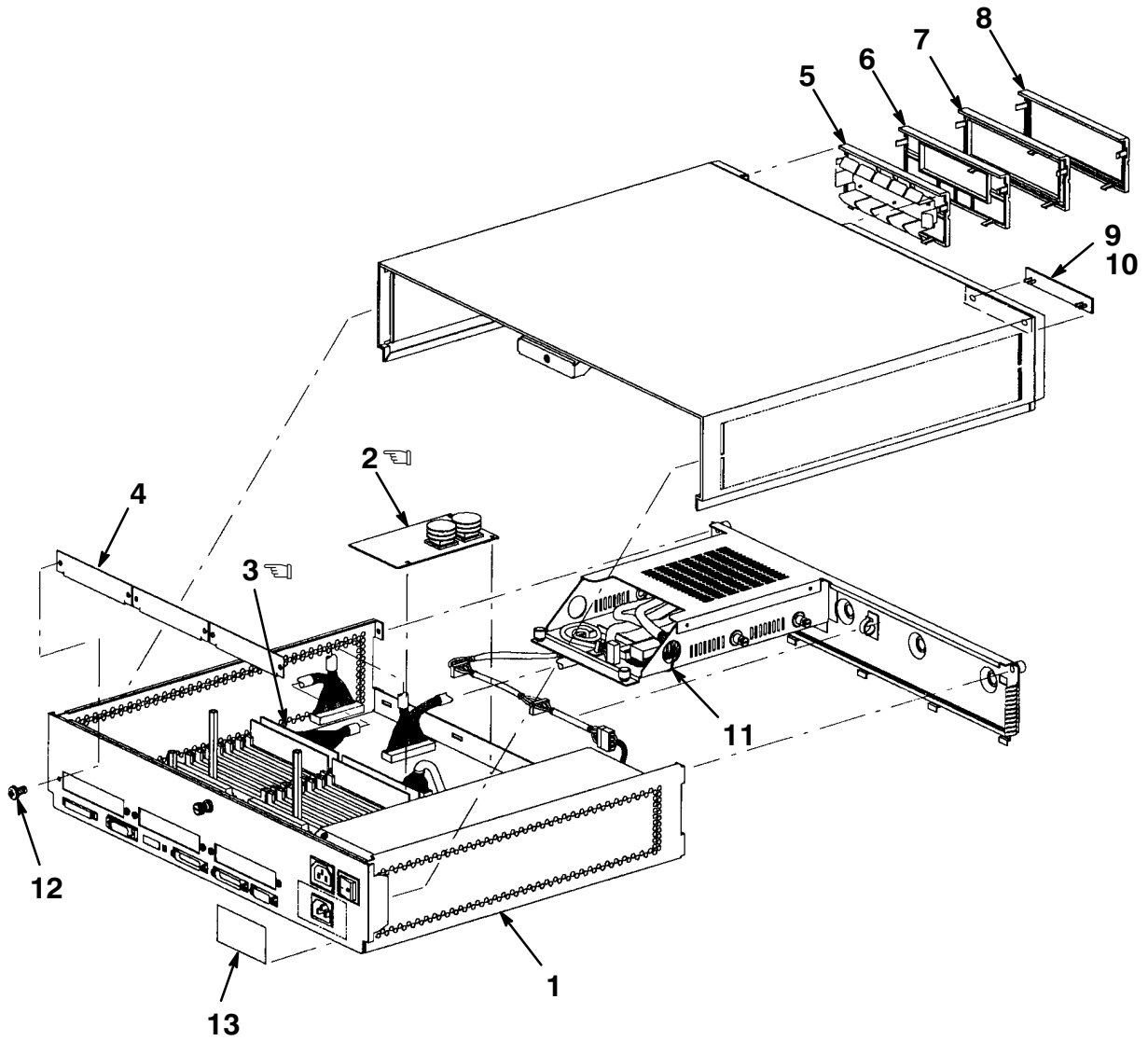
DECsystem 5000 Model 150

DECstation 5000 Model 150



INDICATES FRU LEVEL PARTS.

PARTS LIST

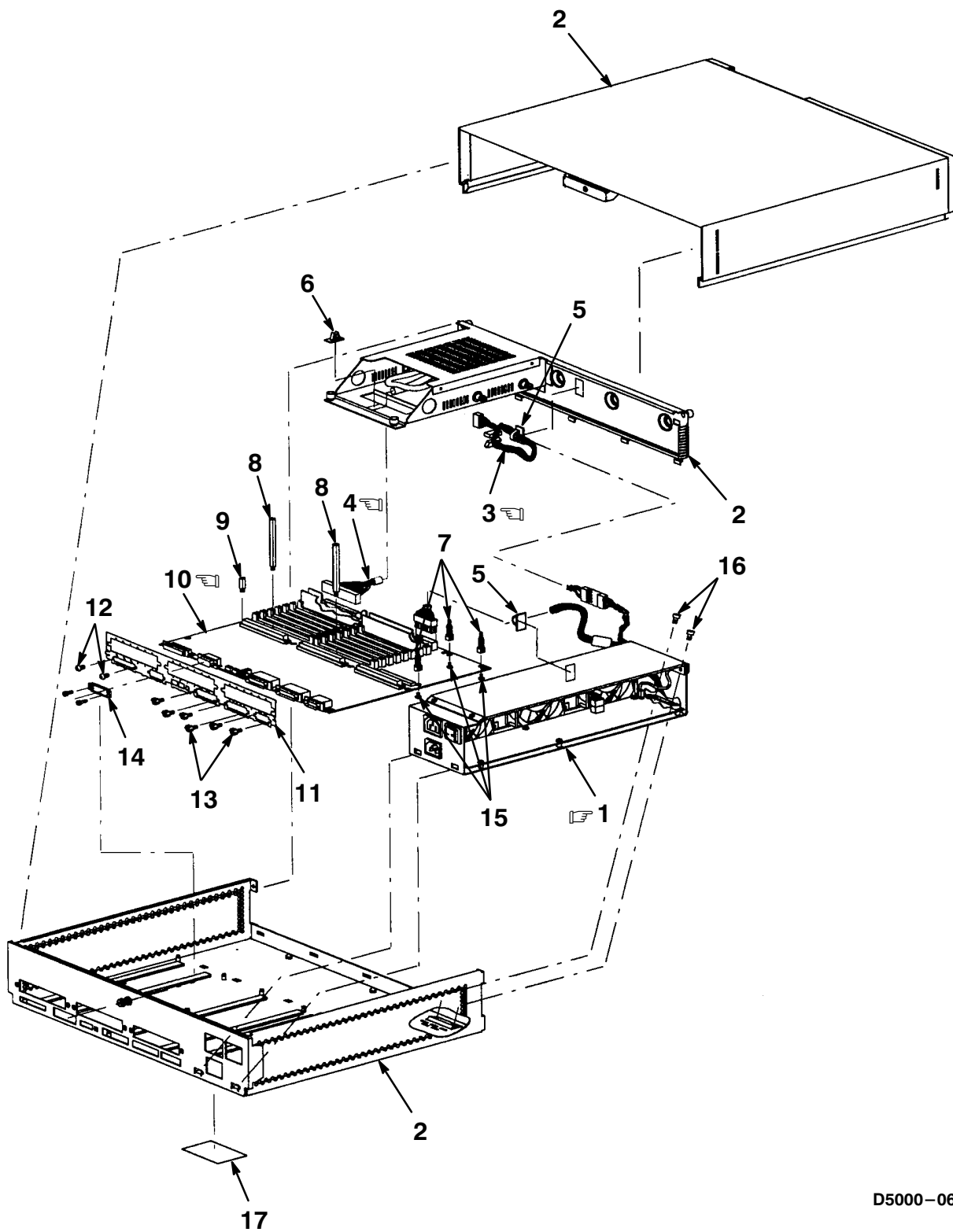


D5000-05-SC

Figure 5. DECsystem 5000 Model 150 Build-To-Order Server Kernel Assembly

| FIG. & ITEM NO. | DESCRIPTION | DEC PART NO. ^A | ECO CUT-IN PM43B 00000 | USED ON CODE | REF FIG NO. |
|-----------------|--|---------------------------|------------------------|--------------|-------------|
| 5- | DECsystem 5000 MODEL 150 BUILD-TO-ORDER SERVER KERNEL ASSY. | PM43B-BY | | | |
| 1 | *SYSTEM BOX ASSEMBLY, DECstation 5000 MODEL 150 | 70-28322-04 | | | 6 |
| ☞ 2 | *Module, R4000 | 54-21874-01 | | | |
| ☞ 3 | *Module, SIMM Hybrid Memory 4M x 18 Bit | 57-34320-01 | | | |
| 4 | *Bulkhead Assembly, PM300 Blank | 74-41143-05 | | | |
| 5 | *Weldment, Blank Bezel, Insert | 70-28345-01 | | | |
| 6 | *Insert, Bezel, RX23 | 74-41143-05 | | | |
| 7 | *Insert, Bezel, RRD42 | 74-42126-02 | | | |
| 8 | *Insert, Bezel, TZK10 | 74-42126-04 | | | |
| 9 | *Medallion, Snap-In, DECstation 5000/150 | 74-43093-08 | | | |
| 10 | *Medallion, Snap-In, DECsystem 5000/150 | 74-43093-12 | | | |
| 11 | *Tie, Cable | 90-07032-00 | | | |
| 12 | *Screw, Mach Pan Hd No. 6-32 x 1/4 | 90-00038-19 | | | |
| 13 | *Label, "Attention Pre-Installed Software" | 36-28979-01 | | | |
| | ITEMS (Not Shown) | | | | |
| | *Package Assembly | 37-01210-01 | | | |
| ☞ | *ACCESSORY KIT, DECstation 5000/150 | 70-28319-01 | | | |
| | **Connector, D-Sub 15 Position | 12-22196-02 | | | |
| | **Connector, Adapter, 25 Pos D-Sub to 6 Pos | 12-33190-01 | | | |
| | **Wrist Strap, Grounding | 12-24023-07 | | | |
| | **Connector, Terminator | 12-33626-01 | | | |
| | **Cable Assembly, Jumper 03 Conductor | 17-00365-19 | | | |
| | **Power Cord | 17-00442-25 | | | |
| | **Cable Assembly, Molded, Shielded, D-Sub | 17-02640-01 | | | |
| | **Cable Assembly, Molded, Shielded, Twisted Pair | 17-02641-02 | | | |
| | **Label, "FTZ Postcard" | 36-30422-54 | | | |
| | **Screwdriver, Flat Blade | 47-00042-00 | | | |
| | **Screwdriver, Phillips | 47-00043-00 | | | |
| | **Bag, Poly Reclose | 99-06557-36 | | | |

  INDICATES FRU LEVEL PARTS.



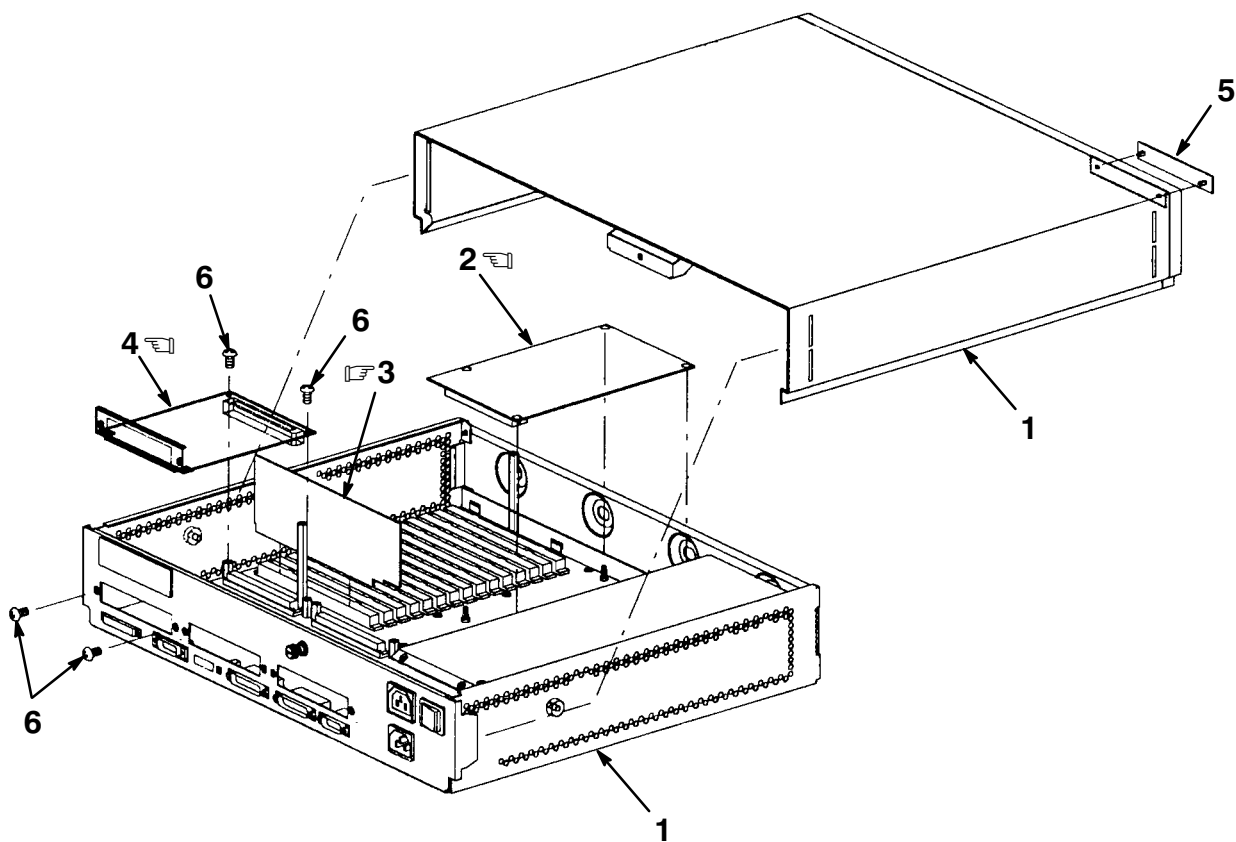
D5000-06-SC

Figure 6. System Box Assembly, DECstation 5000 Model 150

| FIG. & ITEM NO. | DESCRIPTION | DEC PART NO. ^E | ECO CUT-IN 70-28322 00000 | USED ON CODE | REF FIG NO. |
|-----------------|--|---------------------------|---------------------------------|--------------|-------------|
| 6- | SYSTEM BOX ASSEMBLY, DECstation 5000 MODEL 150 | 70-28322-04 | | | 5 |
| ☞ 1 | *Power Supply, 169W, 5.1V @ 21A, 12.1V @ 4.5A 120V/240V | H7826-AA | | | |
| 2 | *Kit, Enclosure Assembly | 70-28363-01 | | | |
| ☞ 3 | *Wire Harness Assembly, Daisy Chain | 17-03064-01 | | | |
| ☞ 4 | *Cable Assembly, Round, 4 IDC Conn, Term | 17-03055-01 | | | |
| 5 | *Clamp, Cable, Single Prong, Adhesive Mount | 90-11246-01 | | | |
| 6 | *Clamp, Cable, Dual Prong, Adhesive Mount | 90-11247-01 | | | |
| 7 | *Standoff, Round Nylon | 12-35477-01 | | | |
| 8 | *Standoff, Hex No. 6-32 x 1 1/2 Inch | 90-00001-68 | | | |
| 9 | *Standoff, Steel, Hex No. 6-32 x .665 | 12-33793-01 | | | |
| ☞ 10 | *Module Assembly, System | 70-28321-02 | | | |
| 11 | *Shield, Rear Bulkhead | 74-40476-02 | | | |
| 12 | *Screw, Mach Pan Hd No. 4-40 x 3/16 | 90-08032-01 | | | |
| 13 | *Screw, Lock | 90-08451-12 | | | |
| 14 | *Slide Latch Assembly | 12-27576-02 | | | |
| 15 | *Rivet, Push, Button | 12-35477-02 | | | |
| 16 | *Screw, Cap Hex Hd No. 6-32 x 1/4 | 90-08043-08 | | | |
| 17 | *Label, "Regulatory" (U.S.) | 36-35152-09 | | | |
| | *Label, "Regulatory" (U.K.) | 36-35152-10 | | | |

DECstation 5000 Model 260
DECsystem 5000 Model 260

  INDICATES FRU LEVEL PARTS.

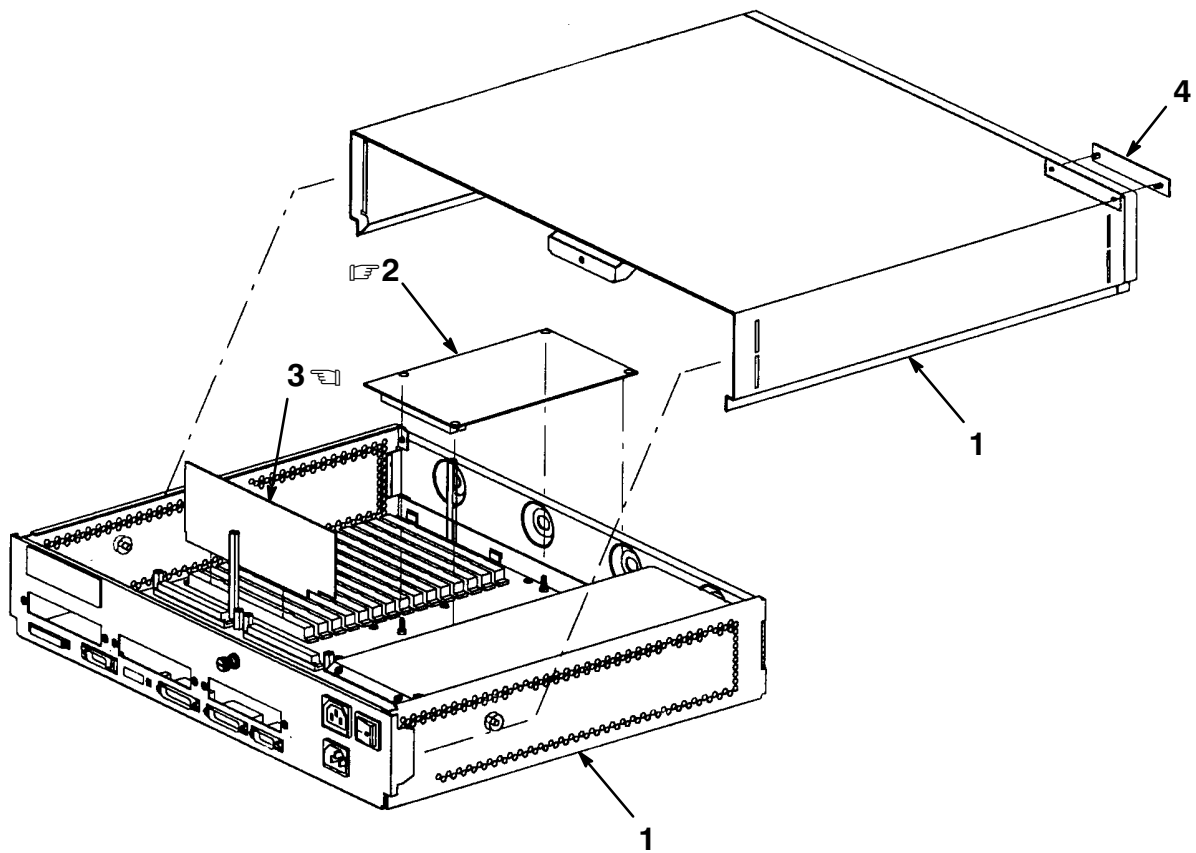


D5000-07-SC

Figure 7. DECstation 5000 Model 260 Kernel Assembly

| FIG. & ITEM NO. | DESCRIPTION | DEC PART NO. ^A | ECO CUT-IN PM48A 00000 | USED ON CODE | REF FIG NO. |
|-----------------|---|---------------------------|------------------------|--------------|-------------|
| 7- | DECstation 5000 MODEL 260 KERNEL ASSY. (60 MHZ, 32 MB Memory, Diskless, MS02-CA 32 MB ECC Memory, 4 Mbit DRAM Chip) | PM48A-CC | | | |
| 1 | *SYSTEM BOX ASSEMBLY, KN05-KA DESKTOP | 70-28350-02 | | | 10 |
| ☞ 2 | *Module, R4000 | 54-21872-02 | | | |
| ☞ 3 | *Module, 32 MB Memory Option w/4 Mbit DRAM Chip | MS02-CA | | | |
| ☞ 4 | *Module, PE500 CXTURBO | 54-21143-01 | | | |
| 5 | *Medallion, DECstation 5000/260 | 74-43093-11 | | | |
| 6 | *Screw, Mach Pan Hd No. 6-32 x 1/4 | 90-00038-19 | | | |
| | ITEMS (Not Shown) | | | | |
| ☞ | *Package Assembly | 37-01210-01 | | | |
| | *ACCESSORY KIT, KN03A-AA | 70-28349-01 | | | |
| | **Connector, D-Sub 15 Position | 12-22196-02 | | | |
| | **Connector, Adapter, 25 Pos D-Sub to 6 Pos | 12-33190-01 | | | |
| | **Wrist Strap, Grounding | 12-36175-01 | | | |
| | **Cable Assembly, Jumper 03 Conductor | 17-00365-19 | | | |
| | **Power Cord | 17-00442-25 | | | |
| | **Cable Assembly, Molded, Shielded, D-Sub | 17-02640-01 | | | |
| | **Cable Assembly, Molded, Shielded, Twisted Pair | 17-02641-01 | | | |
| | **Cable Assembly, Double Shielded Coaxial | 17-02906-01 | | | |
| | **Cable Assembly, Double Shielded Coaxial 750HM | 17-03054-01 | | | |
| | **Label, "FTZ Postcard" | 36-30422-54 | | | |
| | **Screwdriver, Flat Blade | 47-00042-00 | | | |
| | **Screwdriver, Phillips | 47-00043-00 | | | |
| | **Bag, Poly Reclose | 99-06557-36 | | | |

  INDICATES FRU LEVEL PARTS.

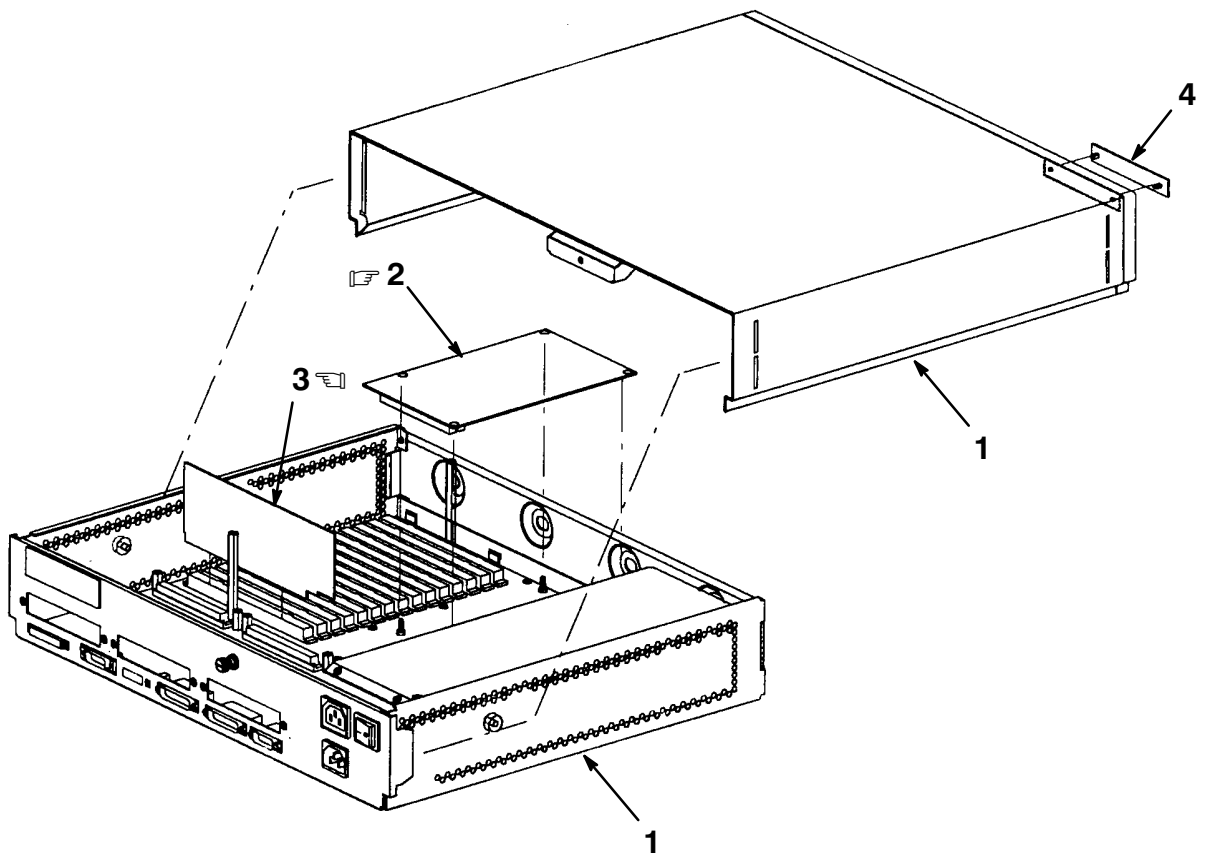


D5000-08-SC

Figure 8. DECstation 5000 Model 260 System Kernel Assembly

| FIG. & ITEM NO. | DESCRIPTION | DEC PART NO. ^A | ECO CUT-IN PM48B 00000 | USED ON CODE | REF FIG NO. |
|-----------------|--|---------------------------|------------------------|--------------|-------------|
| 8- | DECstation 5000 MODEL 260 SYSTEM KERNEL ASSEMBLY (60 MHZ, 32 MB Memory, Diskless, MS02-CA, 32 MB ECC Memory, 4 Mbit DRAM Chip) | PM48B-CY | | | |
| 1 | *SYSTEM BOX ASSEMBLY, KN05-KA DESKTOP | 70-28350-02 | | | 10 |
| ☞ 2 | *Module, R4000 | 54-21872-02 | | | |
| ☞ 3 | *Module, 32 MB Memory Option w/4 Mbit DRAM Chip | MS02-CA | | | |
| 4 | *Medallion, DECstation 5000/260 | 74-43093-11 | | | |
| 5 | *Screw, Mach Pan Hd No. 6-32 x 1/4 (Not Shown) | 90-00038-19 | | | |
| | ITEMS (Not Shown) | | | | |
| | *Package Assembly | 37-01219-01 | | | |
| ☞ | *ACCESSORY KIT, KN03A-AA | 70-28349-03 | | | |
| | **Connector, D-Sub 15 Position | 12-22196-02 | | | |
| | **Connector, Adapter, 25 Pos D-Sub to 6 Pos | 12-33190-01 | | | |
| | **Wrist Strap, Grounding | 12-36175-01 | | | |
| | **Cable Assembly, Jumper 03 Conductor | 17-00365-19 | | | |
| | **Power Cord | 17-00442-25 | | | |
| | **Cable Assembly, Molded, Shielded, D-Sub | 17-02640-01 | | | |
| | **Cable Assembly, Molded, Shielded, Twisted Pair | 17-02641-01 | | | |
| | **Label, "FTZ Postcard" | 36-30422-54 | | | |
| | **Screwdriver, Flat Blade | 47-00042-00 | | | |
| | **Screwdriver, Phillips | 47-00043-00 | | | |
| | **Bag, Poly Reclose | 99-06557-36 | | | |

  INDICATES FRU LEVEL PARTS.

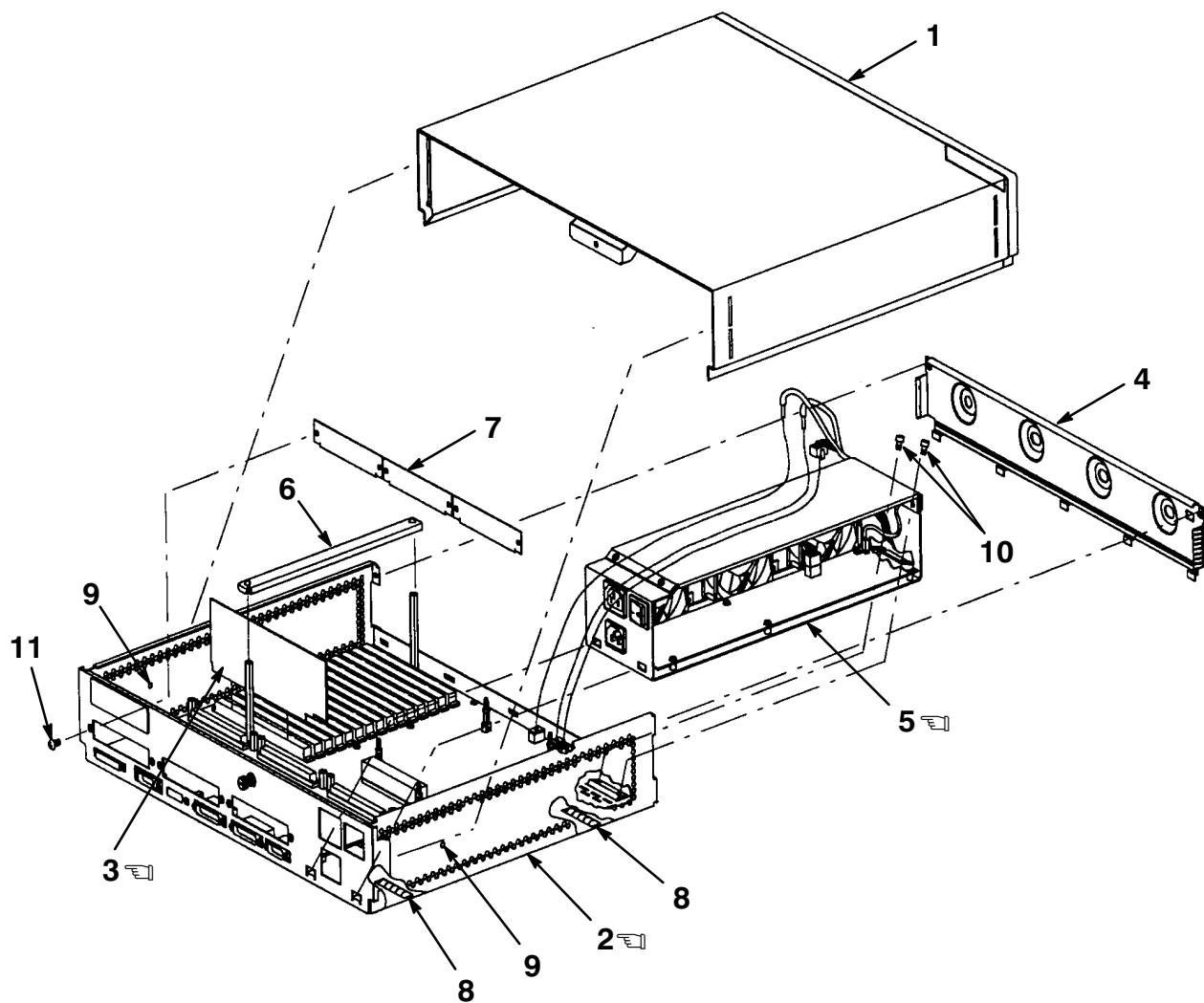


D5000-09-SC

Figure 9. DECsystem 5000 Model 260 Server Kernel Assembly

| FIG. & ITEM NO. | DESCRIPTION | DEC PART NO. ^A | ECO CUT-IN PM49B 00000 | USED ON CODE | REF FIG NO. |
|-----------------|---|---------------------------|------------------------|--------------|-------------|
| 9- | DECsystem 5000 MODEL 260 SERVER KERNEL ASSEMBLY (60 MHZ, 32 MB Memory, Diskless, MS02-CA, 32 MB ECC Memory, 4 Mbit DRAM Chip) | PM49B-CY | | | |
| 1 | *SYSTEM BOX ASSEMBLY, KN05-KA DESKTOP | 70-28350-02 | | | 10 |
| ☞ 2 | *Module, R4000 | 54-21872-02 | | | |
| ☞ 3 | *Module, 32 MB Memory Option w/4 Mbit DRAM Chip | MS02-CA | | | |
| 4 | *Medallion, DECsystem 5000/260 | 74-43093-15 | | | |
| 5 | *Screw, Mach Pan Hd No. 6-32 x 1/4 (Not Shown) | 90-00038-19 | | | |
| | ITEMS (Not Shown) | | | | |
| | *Package Assembly | 37-01219-01 | | | |
| ☞ | *ACCESSORY KIT, KN03A-AA | 70-28349-03 | | | |
| | **Connector, D-Sub 15 Position | 12-22196-02 | | | |
| | **Connector, Adapter, 25 Pos D-Sub to 6 Pos | 12-33190-01 | | | |
| | **Wrist Strap, Grounding | 12-36175-01 | | | |
| | **Cable Assembly, Jumper 03 Conductor | 17-00365-19 | | | |
| | **Power Cord | 17-00442-25 | | | |
| | **Cable Assembly, Molded, Shielded, D-Sub | 17-02640-01 | | | |
| | **Cable Assembly, Molded, Shielded, Twisted Pair | 17-02641-01 | | | |
| | **Label, "FTZ Postcard" | 36-30422-54 | | | |
| | **Screwdriver, Flat Blade | 47-00042-00 | | | |
| | **Screwdriver, Phillips | 47-00043-00 | | | |
| | **Bag, Poly Reclose | 99-06557-36 | | | |

☞ ☞ INDICATES FRU LEVEL PARTS.

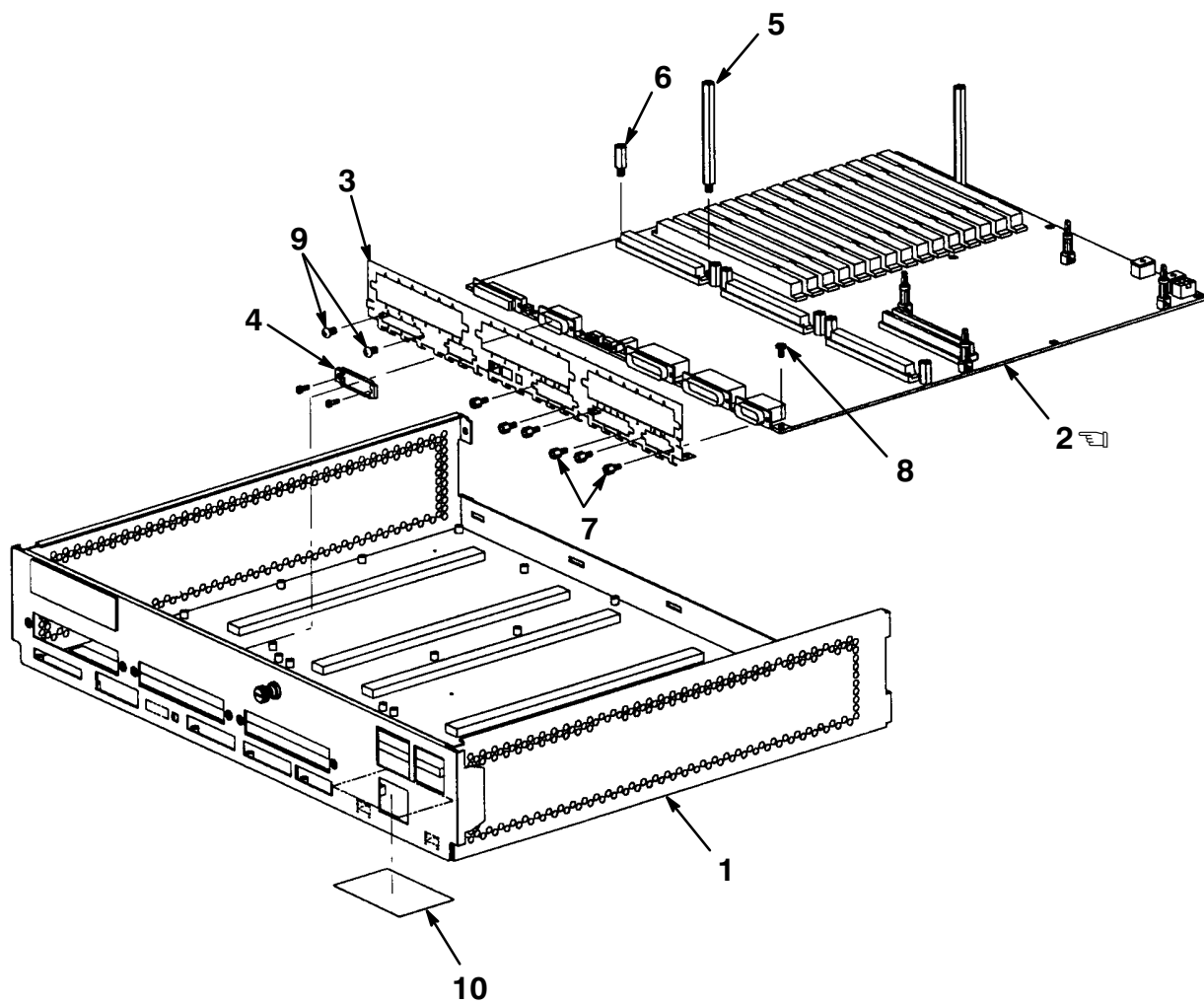


D5000-10-SC

Figure 10. System Box Assembly, KN05-KA

| FIG. & ITEM NO. | DESCRIPTION | DEC PART NO. ^B | ECO CUT-IN 70-28350 00001 | USED ON CODE | REF FIG NO. |
|-----------------|--|---------------------------|---------------------------------|--------------|-------------|
| 10- | SYSTEM BOX ASSEMBLY, KN05-KA DESKTOP | 70-28350-02 | | | 7,8,9 |
| 1 | *Enclosure Assembly, PM300 Top | 70-27053-01 | | | |
| ☞ 2 | *SYSTEM MODULE w/ENCLOSURE | 70-28348-02 | | | 11 |
| ☞ 3 | *Module, 32 MB Memory Option w/4 Mbit DRAM Chip | MS02-CA | | | |
| | *Module, 8 MB Memory Option w/4 Mbit DRAM Chip | MS02L-AB | | | |
| 4 | *Door Assembly, PM300 Front | 70-27056-01 | | | |
| ☞ 5 | *Power Supply, 244W, 5V @ 40A | 30-32506-01 | | | |
| 6 | *Brace Assembly, Memory | 74-40842-01 | | | |
| 7 | *Bulkhead Assembly, PM 300 Blank | 74-41143-05 | | | |
| 8 | *Shield, EMI/RFI | 12-37853-02 | | | |
| 9 | *Foot, Assembly w/Push Rivet | 90-11357-01 | | | |
| 10 | *Screw, Cap Hex Hd No. 6-32 x 1/4 | 90-08043-08 | | | |
| 11 | *Screw, Mach Pan Hd No. 6-32 x 1/4 | 90-00038-19 | | | |

  INDICATES FRU LEVEL PARTS.



D5000-11-SC

Figure 11. System Module w/Enclosure

| FIG. & ITEM NO. | DESCRIPTION | DEC PART NO. ^c | ECO CUT-IN 7028348 00002 | USED ON CODE | REF FIG NO. |
|-----------------|--|---------------------------|--------------------------------|--------------|-------------|
| 11- | ☞ SYSTEM MODULE w/ENCLOSURE | 70-28348-02 | | | 10 |
| 1 | *Enclosure Assembly, Bottom | 70-28347-01 | | | |
| ☞ 2 | *Module, System | 54-20617-01 | | | |
| 3 | *Shield, Rear Bulkhead | 74-40476-03 | | | |
| 4 | *Latch Assembly, Slide | 12-27576-02 | | | |
| 5 | *Standoff, Male/Female Hex No. 6-32 x 3.0 Inch | 90-00001-66 | | | |
| 6 | *Standoff, Steel, Hex No. 6-32 x .665 | 12-33793-01 | | | |
| 7 | *Screw, Lock | 90-08451-12 | | | |
| 8 | *Screw, Filister No. 6-32 x 1/4 | 90-11139-01 | | | |
| 9 | *Screw, Mach Pan Hd No. 4-40 x 3/16 | 90-08032-01 | | | |
| 10 | *Label, "Regulatory, DECstation 5000" (U.S.) | 36-35152-13 | | | |
| | *Label, "Regulatory, DECstation 5000" (U.K.) | 36-35152-14 | | | |

Ω

PART NUMBER/DESCRIPTION INDEX 

THIS PAGE INTENTIONALLY LEFT BLANK

INDEX BY DEC PART NUMBER
DECstation/DECsystem 5000 Models 50/150/260

| PART NO. | DESCRIPTION | FIG NO. | ITEM NO. |
|-------------|--|---------|-----------|
| 12-22196-02 | Connector, D-Sub 15 Position | 5 | Not Shown |
| 12-22196-02 | Connector, D-Sub 15 Position | 7 | Not Shown |
| 12-22196-02 | Connector, D-Sub 15 Position | 8 | Not Shown |
| 12-22196-02 | Connector, D-Sub 15 Position | 9 | Not Shown |
| 12-24023-07 | Wrist Strap, Grounding | 5 | Not Shown |
| 12-27576-02 | Latch Assembly, Slide | 11 | 4 |
| 12-27576-02 | Slide Latch Assembly | 6 | 14 |
| 12-33190-01 | Connector, Adapter, 25 Pos D-Sub to 6 Pos | 5 | Not Shown |
| 12-33190-01 | Connector, Adapter, 25 Pos D-Sub to 6 Pos | 7 | Not Shown |
| 12-33190-01 | Connector, Adapter, 25 Pos D-Sub to 6 Pos | 8 | Not Shown |
| 12-33190-01 | Connector, Adapter, 25 Pos D-Sub to 6 Pos | 9 | Not Shown |
| 12-33626-01 | Connector, Terminator | 5 | Not Shown |
| 12-33793-01 | Standoff, Steel, Hex No. 6-32 x .665 | 11 | 6 |
| 12-33793-01 | Standoff, Steel, Hex No. 6-32 x .665 | 6 | 9 |
| 12-35477-01 | Standoff, Round Nylon | 6 | 7 |
| 12-35477-02 | Rivet, Push, Button | 6 | 15 |
| 12-36175-01 | Wrist Strap, Grounding | 7 | Not Shown |
| 12-36175-01 | Wrist Strap, Grounding | 8 | Not Shown |
| 12-36175-01 | Wrist Strap, Grounding | 9 | Not Shown |
| 12-37642-01 | Bumper | 4 | 5 |
| 12-37853-02 | Shield, EMI/RFI | 10 | 8 |
| 17-00365-19 | Cable Assembly, Jumper 03 Conductor | 5 | Not Shown |
| 17-00365-19 | Cable Assembly, Jumper 03 Conductor | 7 | Not Shown |
| 17-00365-19 | Cable Assembly, Jumper 03 Conductor | 8 | Not Shown |
| 17-00365-19 | Cable Assembly, Jumper 03 Conductor | 9 | Not Shown |
| 17-00442-25 | Power Cord | 5 | Not Shown |
| 17-00442-25 | Power Cord | 7 | Not Shown |
| 17-00442-25 | Power Cord | 8 | Not Shown |
| 17-00442-25 | Power Cord | 9 | Not Shown |
| 17-01626-05 | Cable Assembly, 50 Cond, Flat | 1 | 5 |
| 17-01626-05 | Cable Assembly, 50 Cond, Flat | 2 | 4 |
| 17-01626-05 | Cable Assembly, 50 Cond, Flat | 3 | 5 |
| 17-02640-01 | Cable Assembly, Molded, Shielded, D-Sub | 5 | Not Shown |
| 17-02640-01 | Cable Assembly, Molded, Shielded, D-Sub | 7 | Not Shown |
| 17-02640-01 | Cable Assembly, Molded, Shielded, D-Sub | 8 | Not Shown |
| 17-02640-01 | Cable Assembly, Molded, Shielded, D-Sub | 9 | Not Shown |
| 17-02641-01 | Cable Assembly, Molded, Shielded, Twisted Pair | 7 | Not Shown |
| 17-02641-01 | Cable Assembly, Molded, Shielded, Twisted Pair | 8 | Not Shown |
| 17-02641-01 | Cable Assembly, Molded, Shielded, Twisted Pair | 9 | Not Shown |
| 17-02641-02 | Cable Assembly, Molded, Shielded, Twisted Pair | 5 | Not Shown |
| 17-02906-01 | Cable Assembly, Double Shielded Coaxial | 7 | Not Shown |
| 17-03054-01 | Cable Assembly, Double Shielded Coaxial 750HM | 7 | Not Shown |
| 17-03055-01 | Cable Assembly, Round, 4 IDC Conn, Term | 6 | 4 |
| 17-03064-01 | Wire Harness Assembly, Daisy Chain | 6 | 3 |
| 17-03357-01 | Wire Harness Assembly, 04 Cond, 22 AWG | 1 | 4 |
| 17-03357-01 | Wire Harness Assembly, 04 Cond, 22 AWG | 2 | 3 |
| 17-03357-01 | Wire Harness Assembly, 04 Cond, Flat | 3 | 4 |
| 30-32506-01 | Power Supply, 244W, 5V @ 40A | 10 | 5 |
| 36-28979-01 | Label, "Attention Pre-Installed Software" | 1 | 13 |
| 36-28979-01 | Label, "Attention Pre-Installed Software" | 2 | 11 |
| 36-28979-01 | Label, "Attention Pre-Installed Software" | 3 | 12 |
| 36-28979-01 | Label, "Attention Pre-Installed Software" | 5 | 13 |

INDEX BY DEC PART NUMBER
DECstation/DECsystem 5000 Models 50/150/260

| PART NO. | DESCRIPTION | FIG NO. | ITEM NO. |
|-------------|--|---------|-----------|
| 36-30422-54 | Label, "FTZ Postcard" | 5 | Not Shown |
| 36-30422-54 | Label, "FTZ Postcard" | 7 | Not Shown |
| 36-30422-54 | Label, "FTZ Postcard" | 8 | Not Shown |
| 36-30422-54 | Label, "FTZ Postcard" | 9 | Not Shown |
| 36-35152-09 | Label, "Regulatory" (U.S.) | 6 | 17 |
| 36-35152-10 | Label, "Regulatory" (U.K.) | 6 | 17 |
| 36-35152-11 | Label, "Regulatory" (U.S.) | 1 | 11 |
| 36-35152-11 | Label, "Regulatory" (U.S.) | 2 | 9 |
| 36-35152-11 | Label, "Regulatory" (U.S.) | 3 | 10 |
| 36-35152-12 | Label, "Regulatory" (U.K.) | 1 | 12 |
| 36-35152-12 | Label, "Regulatory" (U.K.) | 2 | 10 |
| 36-35152-12 | Label, "Regulatory" (U.K.) | 3 | 11 |
| 36-35152-13 | Label, "Regulatory, DECstation 5000" (U.S.) | 11 | 10 |
| 36-35152-14 | Label, "Regulatory, DECstation 5000" (U.K.) | 11 | 10 |
| 36-37156-01 | Label, "I/O" | 4 | 8 |
| 36-37572-01 | Label, Blank, 1 Inch x 1 Inch | 1 | 14 |
| 36-37572-01 | Label, Blank, 1 Inch x 1 Inch | 2 | 12 |
| 36-37572-01 | Label, Blank, 1 Inch x 1 Inch | 3 | 13 |
| 37-01210-01 | Package Assembly | 5 | Not Shown |
| 37-01210-01 | Package Assembly | 7 | Not Shown |
| 37-01219-01 | Package Assembly | 8 | Not Shown |
| 37-01219-01 | Package Assembly | 9 | Not Shown |
| 37-01295-03 | Package Assembly | 1 | Not Shown |
| 37-01295-03 | Package Assembly | 2 | Not Shown |
| 37-01295-03 | Package Assembly | 3 | Not Shown |
| 47-00042-00 | Screwdriver, Flat Blade | 5 | Not Shown |
| 47-00042-00 | Screwdriver, Flat Blade | 7 | Not Shown |
| 47-00042-00 | Screwdriver, Flat Blade | 8 | Not Shown |
| 47-00042-00 | Screwdriver, Flat Blade | 9 | Not Shown |
| 47-00043-00 | Screwdriver, Phillips | 5 | Not Shown |
| 47-00043-00 | Screwdriver, Phillips | 7 | Not Shown |
| 47-00043-00 | Screwdriver, Phillips | 8 | Not Shown |
| 47-00043-00 | Screwdriver, Phillips | 9 | Not Shown |
| 54-20617-01 | Module, System | 11 | 2 |
| 54-21143-01 | Module, PE500 CXTURBO | 7 | 4 |
| 54-21325-01 | Module, System | 4 | 2 |
| 54-21872-02 | Module, R4000 | 7 | 2 |
| 54-21872-02 | Module, R4000 | 8 | 2 |
| 54-21872-02 | Module, R4000 | 9 | 2 |
| 54-21874-01 | Module, R4000 | 1 | 3 |
| 54-21874-01 | Module, R4000 | 2 | 2 |
| 54-21874-01 | Module, R4000 | 3 | 3 |
| 54-21874-01 | Module, R4000 | 5 | 2 |
| 57-34320-01 | Module, SIMM Hybrid Memory 4M x 18 Bit | 1 | 2 |
| 57-34320-01 | Module, SIMM Hybrid Memory 4M x 18 Bit | 3 | 2 |
| 57-34320-01 | Module, SIMM Hybrid Memory 4M x 18 Bit | 5 | 3 |
| 70-27053-01 | Enclosure Assembly, PM300 Top | 10 | 1 |
| 70-27056-01 | Door Assembly, PM300 Front | 10 | 4 |
| 70-28319-01 | ACCESSORY KIT, DECstation 5000/150 | 5 | Not Shown |
| 70-28321-02 | Module Assembly, System | 6 | 10 |
| 70-28322-04 | SYSTEM BOX ASSEMBLY, DECstation 5000 MODEL 150 | 5 | 1 |
| 70-28322-04 | SYSTEM BOX ASSEMBLY, DECstation 5000 MODEL 150 | 6 | N/A |

INDEX BY DEC PART NUMBER
DECstation/DECsystem 5000 Models 50/150/260

| PART NO. | DESCRIPTION | FIG NO. | ITEM NO. |
|-------------|---|---------|-----------|
| 70-28345-01 | Weldment, Blank Bezel, Insert | 5 | 5 |
| 70-28347-01 | Enclosure Assembly, Bottom | 11 | 1 |
| 70-28348-02 | SYSTEM MODULE w/ENCLOSURE | 10 | 2 |
| 70-28348-02 | SYSTEM MODULE w/ENCLOSURE | 11 | N/A |
| 70-28349-01 | ACCESSORY KIT, KN03A-AA | 7 | Not Shown |
| 70-28349-03 | ACCESSORY KIT, KN03A-AA | 8 | Not Shown |
| 70-28349-03 | ACCESSORY KIT, KN03A-AA | 9 | Not Shown |
| 70-28350-02 | SYSTEM BOX ASSEMBLY, KN05-KA DESKTOP | 10 | N/A |
| 70-28350-02 | SYSTEM BOX ASSEMBLY, KN05-KA DESKTOP | 7 | 1 |
| 70-28350-02 | SYSTEM BOX ASSEMBLY, KN05-KA DESKTOP | 8 | 1 |
| 70-28350-02 | SYSTEM BOX ASSEMBLY, KN05-KA DESKTOP | 9 | 1 |
| 70-28353-02 | Cover Assembly, Top | 1 | 8 |
| 70-28353-02 | Cover Assembly, Top | 2 | 6 |
| 70-28353-02 | Cover Assembly, Top | 3 | 7 |
| 70-28357-02 | SYSTEM BOX ASSEMBLY, COMMON | 1 | 1 |
| 70-28357-02 | SYSTEM BOX ASSEMBLY, COMMON | 2 | 1 |
| 70-28357-02 | SYSTEM BOX ASSEMBLY, COMMON | 3 | 1 |
| 70-28357-02 | SYSTEM BOX ASSEMBLY, COMMON | 4 | N/A |
| 70-28363-01 | Kit, Enclosure Assembly | 6 | 2 |
| 74-40476-02 | Shield, Rear Bulkhead | 6 | 11 |
| 74-40476-03 | Shield, Rear Bulkhead | 11 | 3 |
| 74-40842-01 | Brace Assembly, Memory | 10 | 6 |
| 74-41143-05 | Bulkhead Assembly, PM 300 Blank | 10 | 7 |
| 74-41143-05 | Bulkhead Assembly, PM 300 Blank | 3 | 6 |
| 74-41143-05 | Bulkhead Assembly, PM300 Blank | 1 | 7 |
| 74-41143-05 | Bulkhead Assembly, PM300 Blank | 2 | 5 |
| 74-41143-05 | Bulkhead Assembly, PM300 Blank | 5 | 4 |
| 74-41143-05 | Insert, Bezel, RX23 | 5 | 6 |
| 74-41856-13 | Medallion, DECstation 5000/50 | 1 | 9 |
| 74-41856-13 | Medallion, DECstation 5000/50 | 2 | 7 |
| 74-41856-13 | Medallion, DECstation 5000/50 | 3 | 8 |
| 74-42126-02 | Insert, Bezel, RRD42 | 5 | 7 |
| 74-42126-04 | Insert, Bezel, TZK10 | 5 | 8 |
| 74-43093-08 | Medallion, Snap-In, DECstation 5000/150 | 5 | 9 |
| 74-43093-11 | Medallion, DECstation 5000/260 | 7 | 5 |
| 74-43093-11 | Medallion, DECstation 5000/260 | 8 | 4 |
| 74-43093-12 | Medallion, Snap-In, DECsystem 5000/150 | 5 | 10 |
| 74-43093-15 | Medallion, DECsystem 5000/260 | 9 | 4 |
| 74-44241-02 | Plate, Base | 4 | 1 |
| 74-45825-01 | Bracket, Support | 4 | 4 |
| 90-00001-66 | Standoff, Male/Female Hex No. 6-32 x 3.0 Inch | 11 | 5 |
| 90-00001-68 | Standoff, Hex No. 6-32 x 1 1/2 Inch | 6 | 8 |
| 90-00001-71 | Standoff, Male/Female Hex | 4 | 7 |
| 90-00038-19 | Screw, Mach Pan Hd No. 6-32 x 1/4 | 10 | 11 |
| 90-00038-19 | Screw, Mach Pan Hd No. 6-32 x 1/4 | 5 | 12 |
| 90-00038-19 | Screw, Mach Pan Hd No. 6-32 x 1/4 | 7 | 6 |
| 90-00038-19 | Screw, Mach Pan Hd No. 6-32 x 1/4 (Not Shown) | 8 | 5 |
| 90-00038-19 | Screw, Mach Pan Hd No. 6-32 x 1/4 (Not Shown) | 9 | 5 |
| 90-00062-10 | Screw, Self-Tap Pan Hd No. 6 x 1/4 | 1 | 10 |
| 90-00062-10 | Screw, Self-Tap Pan Hd No. 6 x 1/4 | 2 | 8 |
| 90-00062-10 | Screw, Self-Tap Pan Hd No. 6 x 1/4 | 3 | 9 |
| 90-00062-10 | Screw, Sems Pan Hd No. 6-32 x 5/16 | 4 | 6 |
| 90-07032-00 | Tie, Cable | 5 | 11 |

INDEX BY DEC PART NUMBER
DECstation/DECsystem 5000 Models 50/150/260

| PART NO. | DESCRIPTION | FIG NO. | ITEM NO. |
|-------------|---|---------|-----------|
| 90-08032-01 | Screw, Mach Pan Hd No. 4-40 x 3/16 | 11 | 9 |
| 90-08032-01 | Screw, Mach Pan Hd No. 4-40 x 3/16 | 6 | 12 |
| 90-08043-08 | Screw, Cap Hex Hd No. 6-32 x 1/4 | 10 | 10 |
| 90-08043-08 | Screw, Cap Hex Hd No. 6-32 x 1/4 | 6 | 16 |
| 90-08451-12 | Screw, Lock | 11 | 7 |
| 90-08451-12 | Screw, Lock | 6 | 13 |
| 90-11139-01 | Screw, Filister No. 6-32 x 1/4 | 11 | 8 |
| 90-11246-01 | Clamp, Cable, Single Prong, Adhesive Mount | 6 | 5 |
| 90-11247-01 | Clamp, Cable, Dual Prong, Adhesive Mount | 6 | 6 |
| 90-11357-01 | Foot, Assembly w/Push Rivet | 10 | 9 |
| 99-06557-36 | Bag, Poly Reclose | 5 | Not Shown |
| 99-06557-36 | Bag, Poly Reclose | 7 | Not Shown |
| 99-06557-36 | Bag, Poly Reclose | 8 | Not Shown |
| 99-06557-36 | Bag, Poly Reclose | 9 | Not Shown |
| H7817-AA | Power Supply, 113W, 5.1V @ 15A, 12.1V @ 3A 120V/240V | 4 | 3 |
| H7826-AA | Power Supply, 169W, 5.1V @ 21A, 12.1V @ 4.5A 120V/240V | 6 | 1 |
| MS02-CA | Module, 32 MB Memory Option w/4 Mbit DRAM Chip | 10 | 3 |
| MS02-CA | Module, 32 MB Memory Option w/4 Mbit DRAM Chip | 7 | 3 |
| MS02-CA | Module, 32 MB Memory Option w/4 Mbit DRAM Chip | 8 | 3 |
| MS02-CA | Module, 32 MB Memory Option w/4 Mbit DRAM Chip | 9 | 3 |
| MS02L-AB | Module, 8 MB Memory Option w/4 Mbit DRAM Chip | 10 | 3 |
| PM40A-AP | Model PM40A-AP (50 MHZ, 8 MB Memory, Base Graphics RZ25 Disk Drive) | 1 | N/A |
| PM40A-CP | Model PM40A-CP (50 MHZ, 8 MB Memory, 1 MS01-CA, 16 MB Parity Memory, 4 Mbit DRAM Chip) | 1 | N/A |
| PM40B-AY | PERSONAL DECstation 5000 MODEL 50 SYSTEM KERNEL ASSEMBLY (50 MHZ, 8 MB Memory, Base Graphics, Diskless) | 2 | N/A |
| PM41B-AY | Model PM41B-AY (50 MHZ, 8 MB Memory, Diskless) | 3 | N/A |
| PM41B-CY | Model PM41B-CY (50 MHZ, 8 MB Memory, Diskless) | 3 | N/A |
| PM43B-BY | DECsystem 5000 MODEL 150 BUILD-TO-ORDER SERVER KERNEL ASSY. | 5 | N/A |
| PM48A-CC | DECstation 5000 MODEL 260 KERNEL ASSY. (60 MHZ, 32 MB Memory, Diskless, MS02-CA, 32 MB ECC Memory, 4 Mbit DRAM Chip) | 7 | N/A |
| PM48B-CY | DECstation 5000 MODEL 260 SYSTEM KERNEL ASSY. (60 MHZ, 32 MB Memory, Diskless, MS02-CA, 32 MB ECC Memory, 4 Mbit DRAM Chip) | 8 | N/A |
| PM49B-CY | DECsystem 5000 MODEL 260 SERVER KERNEL ASSY. (60 MHZ, 32 MB Memory, Diskless, MS02-CA, 32 MB ECC Memory, 4 Mbit DRAM Chip) | 9 | N/A |
| RZ25-EP | Disk Drive Assembly, 3 1/2 Inch SCSI, 426 MB | 1 | 6 |

INDEX BY DEC PART DESCRIPTION
DECstation/DECsystem 5000 Models 50/150/260

| DESCRIPTION | DEC PART NO. | FIG. NO. | ITEM NO. |
|--|-----------------|-------------|-------------|
| ACCESSORY KIT, DECstation 5000/150 | 70-28319-01 | 5 | Not Shown |
| ACCESSORY KIT, KN03A-AA | 70-28349-01 | 7 | Not Shown |
| ACCESSORY KIT, KN03A-AA | 70-28349-03 | 8 | Not Shown |
| ACCESSORY KIT, KN03A-AA | 70-28349-03 | 9 | Not Shown |
| Bag, Poly Reclose | 99-06557-36 | 5 | Not Shown |
| Bag, Poly Reclose | 99-06557-36 | 7 | Not Shown |
| Bag, Poly Reclose | 99-06557-36 | 8 | Not Shown |
| Bag, Poly Reclose | 99-06557-36 | 9 | Not Shown |
| Brace Assembly, Memory | 74-40842-01 | 10 | 6 |
| Bracket, Support | 74-45825-01 | 4 | 4 |
| Bulkhead Assembly, PM 300 Blank | 74-41143-05 | 10 | 7 |
| Bulkhead Assembly, PM 300 Blank | 74-41143-05 | 3 | 6 |
| Bulkhead Assembly, PM300 Blank | 74-41143-05 | 1 | 7 |
| Bulkhead Assembly, PM300 Blank | 74-41143-05 | 2 | 5 |
| Bulkhead Assembly, PM300 Blank | 74-41143-05 | 5 | 4 |
| Bumper | 12-37642-01 | 4 | 5 |
| Cable Assembly, 50 Cond, Flat | 17-01626-05 | 1 | 5 |
| Cable Assembly, 50 Cond, Flat | 17-01626-05 | 2 | 4 |
| Cable Assembly, 50 Cond, Flat | 17-01626-05 | 3 | 5 |
| Cable Assembly, Double Shielded Coaxial | 17-02906-01 | 7 | Not Shown |
| Cable Assembly, Double Shielded Coaxial 750HM | 17-03054-01 | 7 | Not Shown |
| Cable Assembly, Jumper 03 Conductor | 17-00365-19 | 5 | Not Shown |
| Cable Assembly, Jumper 03 Conductor | 17-00365-19 | 7 | Not Shown |
| Cable Assembly, Jumper 03 Conductor | 17-00365-19 | 8 | Not Shown |
| Cable Assembly, Jumper 03 Conductor | 17-00365-19 | 9 | Not Shown |
| Cable Assembly, Molded, Shielded, D-Sub | 17-02640-01 | 5 | Not Shown |
| Cable Assembly, Molded, Shielded, D-Sub | 17-02640-01 | 7 | Not Shown |
| Cable Assembly, Molded, Shielded, D-Sub | 17-02640-01 | 8 | Not Shown |
| Cable Assembly, Molded, Shielded, D-Sub | 17-02640-01 | 9 | Not Shown |
| Cable Assembly, Molded, Shielded, Twisted Pair | 17-02641-01 | 7 | Not Shown |
| Cable Assembly, Molded, Shielded, Twisted Pair | 17-02641-01 | 8 | Not Shown |
| Cable Assembly, Molded, Shielded, Twisted Pair | 17-02641-01 | 9 | Not Shown |
| Cable Assembly, Molded, Shielded, Twisted Pair | 17-02641-02 | 5 | Not Shown |
| Cable Assembly, Round, 4 IDC Conn, Term | 17-03055-01 | 6 | 4 |
| Clamp, Cable, Dual Prong, Adhesive Mount | 90-11247-01 | 6 | 6 |
| Clamp, Cable, Single Prong, Adhesive Mount | 90-11246-01 | 6 | 5 |
| Connector, Adapter, 25 Pos D-Sub to 6 Pos | 12-33190-01 | 5 | Not Shown |
| Connector, Adapter, 25 Pos D-Sub to 6 Pos | 12-33190-01 | 7 | Not Shown |
| Connector, Adapter, 25 Pos D-Sub to 6 Pos | 12-33190-01 | 8 | Not Shown |
| Connector, Adapter, 25 Pos D-Sub to 6 Pos | 12-33190-01 | 9 | Not Shown |
| Connector, D-Sub 15 Position | 12-22196-02 | 5 | Not Shown |
| Connector, D-Sub 15 Position | 12-22196-02 | 7 | Not Shown |
| Connector, D-Sub 15 Position | 12-22196-02 | 8 | Not Shown |
| Connector, D-Sub 15 Position | 12-22196-02 | 9 | Not Shown |
| Connector, Terminator | 12-33626-01 | 5 | Not Shown |
| Cover Assembly, Top | 70-28353-02 | 1 | 8 |
| Cover Assembly, Top | 70-28353-02 | 2 | 6 |
| Cover Assembly, Top | 70-28353-02 | 3 | 7 |
| DECstation 5000 MODEL 260 KERNEL ASSY. (60 MHZ, 32 MB Memory, Diskless, MS02-CA, 32 MB ECC Memory, 4 Mbit DRAM Chip) | PM48A-CC | 7 | N/A |

INDEX BY DEC PART DESCRIPTION
DECstation/DECsystem 5000 Models 50/150/260

| DESCRIPTION | DEC PART NO. | FIG. NO. | ITEM NO. |
|---|-----------------|-------------|-------------|
| DECstation 5000 MODEL 260 SYSTEM KERNEL ASSY. (60 MHZ, 32 MB Memory, Diskless, MS02-CA, 32 MB ECC Memory, 4 Mbit DRAM Chip) | PM48B-CY | 8 | N/A |
| DECstation 5000 MODEL 50 SYSTEM KERNEL ASSEMBLY (50 MHZ, 8 MB Memory, Base Graphics, Diskless) | PM40B-AY | 2 | N/A |
| DECsystem 5000 MODEL 150 BUILD-TO-ORDER SERVER KERNEL ASSY. | PM43B-BY | 5 | N/A |
| DECsystem 5000 MODEL 260 SERVER KERNEL ASSEMBLY (60 MHZ, 32 MB Memory, Diskless, MS02-CA, 32 MB ECC Memory, 4 Mbit DRAM Chip) | PM49B-CY | 9 | N/A |
| DECsystem 5000 MODEL 50 SERVER KERNEL ASSEMBLY | N/A | 3 | N/A |
| Disk Drive Assembly, 3 1/2 Inch SCSI, 426 MB | RZ25-EP | 1 | 6 |
| Door Assembly, PM300 Front | 70-27056-01 | 10 | 4 |
| Enclosure Assembly, Bottom | 70-28347-01 | 11 | 1 |
| Enclosure Assembly, PM300 Top | 70-27053-01 | 10 | 1 |
| Foot, Assembly w/Push Rivet | 90-11357-01 | 10 | 9 |
| Insert, Bezel, RRD42 | 74-42126-02 | 5 | 7 |
| Insert, Bezel, RX23 | 74-41143-05 | 5 | 6 |
| Insert, Bezel, TZK10 | 74-42126-04 | 5 | 8 |
| Kit, Enclosure Assembly | 70-28363-01 | 6 | 2 |
| Label, "Attention Pre-Installed Software" | 36-28979-01 | 1 | 13 |
| Label, "Attention Pre-Installed Software" | 36-28979-01 | 2 | 11 |
| Label, "Attention Pre-Installed Software" | 36-28979-01 | 3 | 12 |
| Label, "Attention Pre-Installed Software" | 36-28979-01 | 5 | 13 |
| Label, "FTZ Postcard" | 36-30422-54 | 5 | Not Shown |
| Label, "FTZ Postcard" | 36-30422-54 | 7 | Not Shown |
| Label, "FTZ Postcard" | 36-30422-54 | 8 | Not Shown |
| Label, "FTZ Postcard" | 36-30422-54 | 9 | Not Shown |
| Label, "I/O" | 36-37156-01 | 4 | 8 |
| Label, "Regulatory" (U.K.) | 36-35152-10 | 6 | 17 |
| Label, "Regulatory" (U.K.) | 36-35152-12 | 1 | 12 |
| Label, "Regulatory" (U.K.) | 36-35152-12 | 2 | 10 |
| Label, "Regulatory" (U.S.) | 36-35152-09 | 6 | 17 |
| Label, "Regulatory" (U.S.) | 36-35152-11 | 1 | 11 |
| Label, "Regulatory" (U.S.) | 36-35152-11 | 2 | 9 |
| Label, "Regulatory" (U.S.) | 36-35152-11 | 3 | 10 |
| Label, "Regulatory" (U.K.) | 36-35152-12 | 3 | 11 |
| Label, "Regulatory, DECstation 5000" (U.K.) | 36-35152-14 | 11 | 10 |
| Label, "Regulatory, DECstation 5000" (U.S.) | 36-35152-13 | 11 | 10 |
| Label, Blank, 1 Inch x 1 Inch | 36-37572-01 | 1 | 14 |
| Label, Blank, 1 Inch x 1 Inch | 36-37572-01 | 2 | 12 |
| Label, Blank, 1 Inch x 1 Inch | 36-37572-01 | 3 | 13 |
| Latch Assembly, Slide | 12-27576-02 | 11 | 4 |
| Medallion, DECstation 5000/260 | 74-43093-11 | 7 | 5 |
| Medallion, DECstation 5000/260 | 74-43093-11 | 8 | 4 |
| Medallion, DECstation 5000/50 | 74-41856-13 | 1 | 9 |
| Medallion, DECstation 5000/50 | 74-41856-13 | 2 | 7 |

INDEX BY DEC PART DESCRIPTION
DECstation/DECsystem 5000 Models 50/150/260

| DESCRIPTION | DEC PART NO. | FIG. NO. | ITEM NO. |
|--|-----------------|-------------|-------------|
| Medallion, DECstation 5000/50 | 74-41856-13 | 3 | 8 |
| Medallion, DECsystem 5000/260 | 74-43093-15 | 9 | 4 |
| Medallion, Snap-In, DECstation 5000/150 | 74-43093-08 | 5 | 9 |
| Medallion, Snap-In, DECsystem 5000/150 | 74-43093-12 | 5 | 10 |
| Model PM40A-AP (50 MHZ, 8 MB Memory, Base Graphics RZ25 Disk Drive) | PM40A-AP | 1 | N/A |
| Model PM40A-CP (50 MHZ, 8 MB Memory, 1 MS01-CA, 16 MB Parity Memory, 4 Mbit DRAM Chip) | PM40A-CP | 1 | N/A |
| Model PM41B-AY (50 MHZ, 8 MB Memory, Diskless) | PM41B-AY | 3 | N/A |
| Model PM41B-CY (50 MHZ, 8 MB Memory, Diskless) | PM41B-CY | 3 | N/A |
| Module Assembly, System | 70-28321-02 | 6 | 10 |
| Module, 32 MB Memory Option w/4 Mbit DRAM Chip | MS02-CA | 10 | 3 |
| Module, 32 MB Memory Option w/4 Mbit DRAM Chip | MS02-CA | 7 | 3 |
| Module, 32 MB Memory Option w/4 Mbit DRAM Chip | MS02-CA | 8 | 3 |
| Module, 32 MB Memory Option w/4 Mbit DRAM Chip | MS02-CA | 9 | 3 |
| Module, 8 MB Memory Option w/4 Mbit DRAM Chip | MS02L-AB | 10 | 3 |
| Module, PE500 CXTURBO | 54-21143-01 | 7 | 4 |
| Module, R4000 | 54-21872-02 | 7 | 2 |
| Module, R4000 | 54-21872-02 | 8 | 2 |
| Module, R4000 | 54-21872-02 | 9 | 2 |
| Module, R4000 | 54-21874-01 | 1 | 3 |
| Module, R4000 | 54-21874-01 | 2 | 2 |
| Module, R4000 | 54-21874-01 | 3 | 3 |
| Module, R4000 | 54-21874-01 | 5 | 2 |
| Module, SIMM Hybrid Memory 4M x 18 Bit | 57-34320-01 | 1 | 2 |
| Module, SIMM Hybrid Memory 4M x 18 Bit | 57-34320-01 | 3 | 2 |
| Module, SIMM Hybrid Memory 4M x 18 Bit | 57-34320-01 | 5 | 3 |
| Module, System | 54-20617-01 | 11 | 2 |
| Module, System | 54-21325-01 | 4 | 2 |
| Package Assembly | 37-01210-01 | 5 | Not Shown |
| Package Assembly | 37-01210-01 | 7 | Not Shown |
| Package Assembly | 37-01219-01 | 8 | Not Shown |
| Package Assembly | 37-01219-01 | 9 | Not Shown |
| Package Assembly | 37-01295-03 | 1 | Not Shown |
| Package Assembly | 37-01295-03 | 2 | Not Shown |
| Package Assembly | 37-01295-03 | 3 | Not Shown |
| PERSONAL DECstation 5000 MODEL 50 CUSTOM KERNEL ASSEMBLY | N/A | 1 | N/A |
| Plate, Base | 74-44241-02 | 4 | 1 |
| Power Cord | 17-00442-25 | 5 | Not Shown |
| Power Cord | 17-00442-25 | 7 | Not Shown |
| Power Cord | 17-00442-25 | 8 | Not Shown |
| Power Cord | 17-00442-25 | 9 | Not Shown |
| Power Supply, 113W, 5.1V @ 15A, 12.1V @ 3A 120V/240V | H7817-AA | 4 | 3 |
| Power Supply, 169W, 5.1V @ 21A, 12.1V @ 4.5A 120V/240V | H7826-AA | 6 | 1 |
| Power Supply, 244W, 5V @ 40A | 30-32506-01 | 10 | 5 |
| Rivet, Push, Button | 12-35477-02 | 6 | 15 |
| Screw, Cap Hex Hd No. 6-32 x 1/4 | 90-08043-08 | 10 | 10 |
| Screw, Cap Hex Hd No. 6-32 x 1/4 | 90-08043-08 | 6 | 16 |
| Screw, Filister No. 6-32 x 1/4 | 90-11139-01 | 11 | 8 |
| Screw, Lock | 90-08451-12 | 11 | 7 |
| Screw, Lock | 90-08451-12 | 6 | 13 |

INDEX BY DEC PART DESCRIPTION
DECstation/DECsystem 5000 Models 50/150/260

| DESCRIPTION | DEC PART NO. | FIG. NO. | ITEM NO. |
|--|-----------------|-------------|-------------|
| Screw, Mach Pan Hd No. 4-40 x 3/16 | 90-08032-01 | 11 | 9 |
| Screw, Mach Pan Hd No. 4-40 x 3/16 | 90-08032-01 | 6 | 12 |
| Screw, Mach Pan Hd No. 6-32 x 1/4 | 90-00038-19 | 10 | 11 |
| Screw, Mach Pan Hd No. 6-32 x 1/4 | 90-00038-19 | 5 | 12 |
| Screw, Mach Pan Hd No. 6-32 x 1/4 | 90-00038-19 | 7 | 6 |
| Screw, Mach Pan Hd No. 6-32 x 1/4 (Not Shown) | 90-00038-19 | 8 | 5 |
| Screw, Mach Pan Hd No. 6-32 x 1/4 (Not Shown) | 90-00038-19 | 9 | 5 |
| Screw, Self-Tap Pan Hd No. 6 x 1/4 | 90-00062-10 | 1 | 10 |
| Screw, Self-Tap Pan Hd No. 6 x 1/4 | 90-00062-10 | 2 | 8 |
| Screw, Self-Tap Pan Hd No. 6 x 1/4 | 90-00062-10 | 3 | 9 |
| | | | |
| Screw, Sems Pan Hd No. 6-32 x 5/16 | 90-00062-10 | 4 | 6 |
| Screwdriver, Flat Blade | 47-00042-00 | 5 | Not Shown |
| Screwdriver, Flat Blade | 47-00042-00 | 7 | Not Shown |
| Screwdriver, Flat Blade | 47-00042-00 | 8 | Not Shown |
| Screwdriver, Flat Blade | 47-00042-00 | 9 | Not Shown |
| Screwdriver, Phillips | 47-00043-00 | 5 | Not Shown |
| Screwdriver, Phillips | 47-00043-00 | 7 | Not Shown |
| Screwdriver, Phillips | 47-00043-00 | 8 | Not Shown |
| Screwdriver, Phillips | 47-00043-00 | 9 | Not Shown |
| Shield, EMI/RFI | 12-37853-02 | 10 | 8 |
| | | | |
| Shield, Rear Bulkhead | 74-40476-02 | 6 | 11 |
| Shield, Rear Bulkhead | 74-40476-03 | 11 | 3 |
| Slide Latch Assembly | 12-27576-02 | 6 | 14 |
| Standoff, Steel, Hex No. 6-32 x .665 | 12-33793-01 | 11 | 6 |
| Standoff, Hex No. 6-32 x 1 1/2 Inch | 90-00001-68 | 6 | 8 |
| Standoff, Male/Female Hex | 90-00001-71 | 4 | 7 |
| Standoff, Male/Female Hex No. 6-32 x 3.0 Inch | 90-00001-66 | 11 | 5 |
| Standoff, Round Nylon | 12-35477-01 | 6 | 7 |
| Standoff, Steel, Hex No. 6-32 x .665 | 12-33793-01 | 6 | 9 |
| | | | |
| SYSTEM BOX ASSEMBLY, COMMON | 70-28357-02 | 3 | 1 |
| SYSTEM BOX ASSEMBLY, COMMON | 70-28357-02 | 1 | 1 |
| SYSTEM BOX ASSEMBLY, COMMON | 70-28357-02 | 2 | 1 |
| SYSTEM BOX ASSEMBLY, COMMON | 70-28357-02 | 4 | N/A |
| SYSTEM BOX ASSEMBLY, DECstation 5000 MODEL 150 | 70-28322-04 | 5 | 1 |
| SYSTEM BOX ASSEMBLY, DECstation 5000 MODEL 150 | 70-28322-04 | 6 | N/A |
| SYSTEM BOX ASSEMBLY, KN05-KA DESKTOP | 70-28350-02 | 10 | N/A |
| SYSTEM BOX ASSEMBLY, KN05-KA DESKTOP | 70-28350-02 | 7 | 1 |
| SYSTEM BOX ASSEMBLY, KN05-KA DESKTOP | 70-28350-02 | 8 | 1 |
| SYSTEM BOX ASSEMBLY, KN05-KA DESKTOP | 70-28350-02 | 9 | 1 |
| SYSTEM MODULE w/ENCLOSURE | 70-28348-02 | 10 | 2 |
| SYSTEM MODULE w/ENCLOSURE | 70-28348-02 | 11 | N/A |
| | | | |
| Tie, Cable | 90-07032-00 | 5 | 11 |
| | | | |
| Weldment, Blank Bezel, Insert | 70-28345-01 | 5 | 5 |
| Wire Harness Assembly, 04 Cond, 22 AWG | 17-03357-01 | 1 | 4 |
| Wire Harness Assembly, 04 Cond, 22 AWG | 17-03357-01 | 2 | 3 |
| Wire Harness Assembly, 04 Cond, Flat | 17-03357-01 | 3 | 4 |
| Wire Harness Assembly, Daisy Chain | 17-03064-01 | 6 | 3 |
| Wrist Strap, Grounding | 12-24023-07 | 5 | Not Shown |
| Wrist Strap, Grounding | 12-36175-01 | 7 | Not Shown |
| Wrist Strap, Grounding | 12-36175-01 | 8 | Not Shown |
| Wrist Strap, Grounding | 12-36175-01 | 9 | Not Shown |