

**ILLUSTRATED
PARTS
BREAKDOWN**

**BA214
ENCLOSURE**

HOW TO USE THE IPB

GENERAL

This IPB is compiled following the organization and nomenclature of the engineering drawing structure.

MAJOR ASSEMBLY LOCATOR (When Applicable)

The Major Assembly Locator (first illustration) is an index that provides a description and a figure reference for all illustrations used in this manual.

INDENTED PARTS LIST

This manual identifies each assembly being broken down (figure reference callout) and all parts of that assembly. Further breakdown of an assembly is shown by an asterisk (*) preceding the item callouts in the Description Column. The number of asterisks preceding an item is used to denote the subordination of that item with respect to the Major Assembly. A single asterisk preceding an item description indicates that the item is part of the major assembly being illustrated. Items that are subordinate to single asterisk items, are denoted by two asterisks (**) and immediately follow the related single asterisk item. This system of part identification provides a means for the user to identify the next higher assembly item and make alternate selections for parts when the required replacement part of assembly is not immediately available.

COLUMN CALLOUT DESCRIPTION

Figure and Item - Indicates the figure number and item number of each part.

Description - Lists the name of the part and pertinent specifications (when required). Asterisks preceding the description denote the subordination of the part to the next higher assembly.

DEC Part No. - Lists the Digital part ordering number. A blank in this column indicates a Digital part number was not assigned at the time of publication.

ECO Cut-In - The notation at the top of this column indicates the ECO level of the system (option), at which the IPB was initially prepared. Subsequent ECO level designations, that modify existing parts or add new parts to the device, are inserted in the ECO Cut-In column next to the part that is added or modified.

Used On Code - Letters in this column correspond to the variation codes assigned in Figure 1. Parts with an Alpha notation(s) are used only in those option variations. A blank indicates that the part is used on all option variations.

Ref Fig No. - A cross reference between illustrations. For each Major Assembly, the number in this column denotes the figure of the next higher assembly. For all subassemblies, the number in this column denotes the figure showing additional detailed breakdown.

PART NUMBER/PART DESCRIPTION SORT SECTION
Parts are sorted both numerically and alphabetically by description, referenced to a location within the IPB, by figure number and item number.

REVISION HISTORY				OTHER IPB MANUALS REFERENCED
PRINTING	ECO LEVEL		DATE	
2nd Printing	70-24536	00001-00002	12-OCT-89	N/A
	H7868	00002-00005		
	70-24279	00001-00001		

Digital Equipment Corporation reserves the right, without notice, to make substitutions and modifications in the specifications of products documented in this manual and further reserves the right to withdraw any of these products from the market without notice.

Digital Equipment Corporation is not responsible for errors which may appear in the technical description (including illustrations and photographs) of the products covered by this manual.

None of the descriptions contained in this manual imply the granting of any license whatsoever to make, use or sell equipment constructed in accordance therewith.

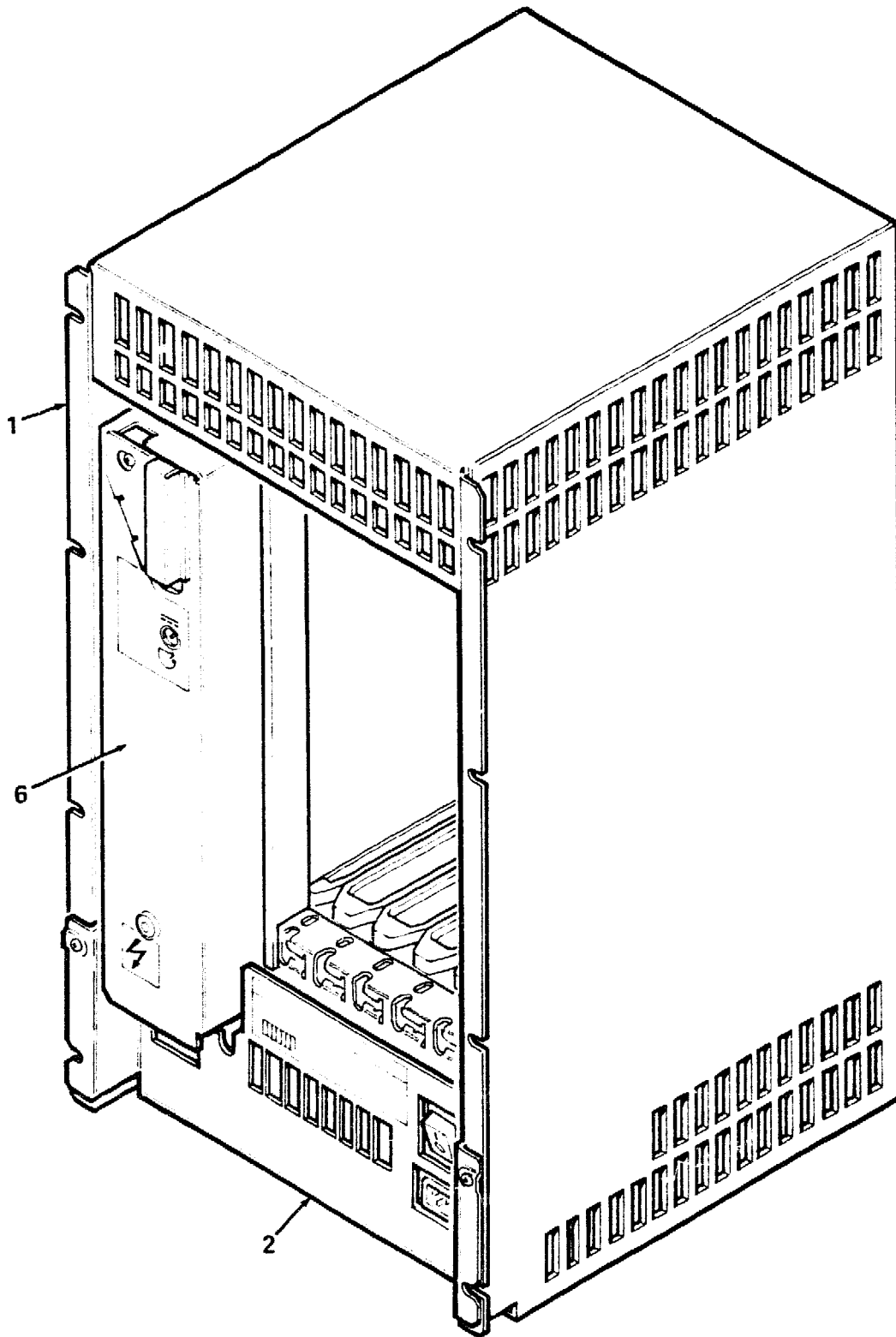
Copyright © 1988, 1989 by Digital Equipment Corporation. All rights reserved.

The postage-paid READER'S COMMENTS form on the last page of this document requests your critical evaluation to assist us in preparing future documentation.

The following are trademarks of Digital Equipment Corporation :

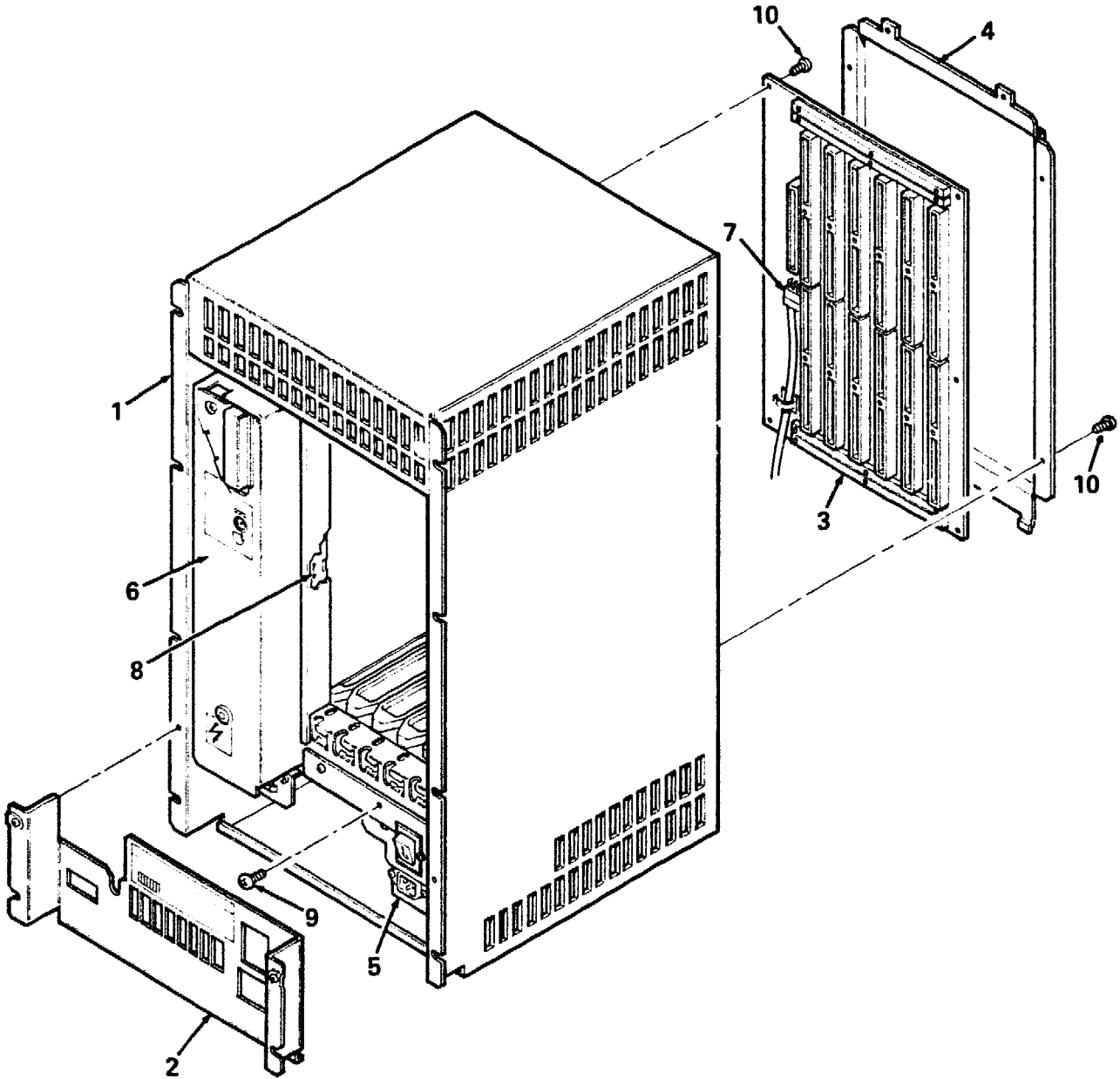


DEC
DECUS
PDP
UNIBUS
VAX



BA214-01-BD

Figure 1. BA214 Chassis Assembly (Sheet 1 of 2)

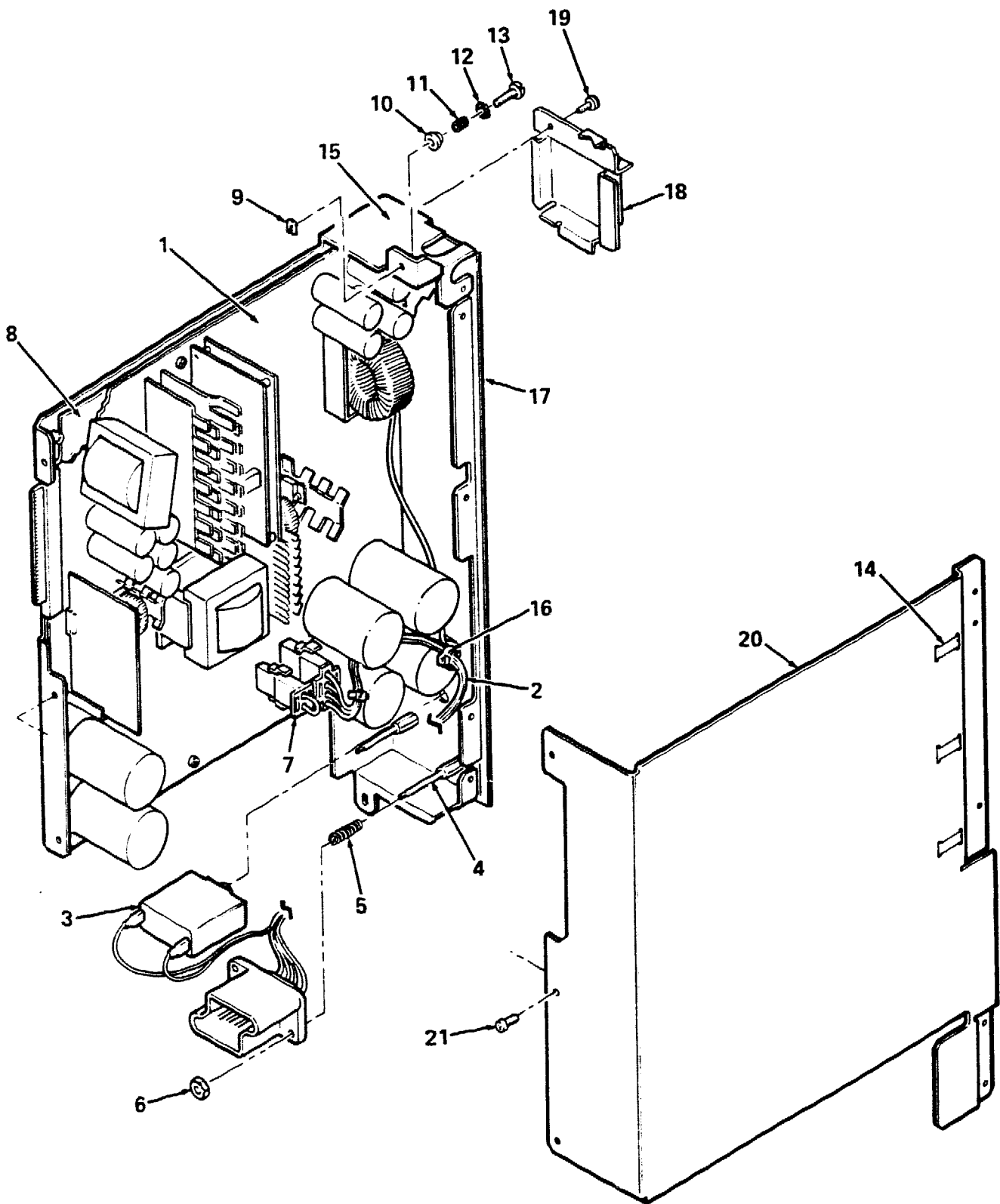


BA214-01A-BD

Figure 1. BA214 Chassis Assembly (Sheet 2 of 2)



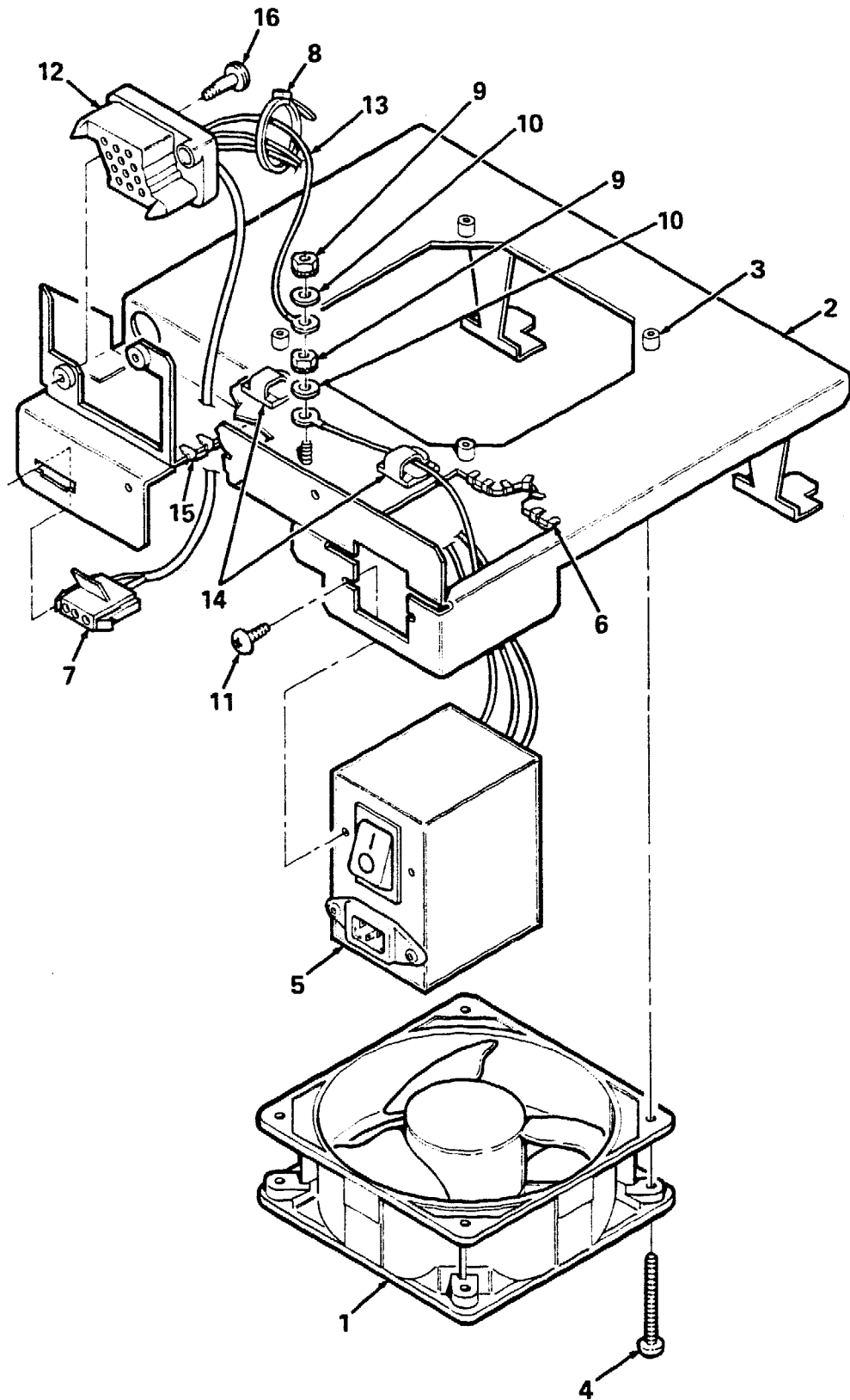
FIG. & ITEM NO.	DESCRIPTION	DEC PART NO.	ECO CUT-IN 70-24536 00001	USED ON CODE	REF FIG NO.
1-	BA214 CHASSIS ASSEMBLY 100/120V	70-24536-01		A	
	BA214 CHASSIS ASSEMBLY 220/240V	70-24536-02		B	
	BA214 CHASSIS ASSEMBLY 100/120V	70-24536-03		C	
	BA214 CHASSIS ASSEMBLY 220/240V	70-24536-04		D	
1	*Enclosure Assembly, Riveted	70-24512-01			
2	*Panel Assembly, Access	70-24513-01			
3	*Backplane, BA214	54-17213-01		AB	
	*Backplane, BA214/BA215 (added)	54-17408-02	00002	CD	
4	*Cover, Backplane	74-34782-01			
5	*FILTER ASSEMBLY, AC/EMI	70-24279-01			3
6	*POWER SUPPLY ASSEMBLY, 100/120V	H7868-A		A	2
	*POWER SUPPLY ASSEMBLY, 220/240V	H7868-B		B	2
7	*Cable Assembly, 2 Conductor, Fan Connector, Locking Female Connector (J1-1, J1-2 to J2-4, J2-5)	17-01639-01			
8	*Finger, Grounding	12-26922-01			
9	*Screw, Sems Phi Pan Hd No. 8-32 x 5/16	90-10174-01			
10	*Screw, Self-Tap Truss Hd No. 6 x 5/16	90-00063-78			



BA214-02-BD

Figure 2. H7868 Power Supply Assembly

FIG. & ITEM NO.	DESCRIPTION	DEC PART NO.	ECO CUT-IN H7868 00002	USED ON CODE	REF FIG NO.
2-	POWER SUPPLY ASSEMBLY, 100/120V POWER SUPPLY ASSEMBLY, 100/240V	H7868-A H7868-B		AC BD	1 1
1	*Module, Power Supply	54-16879-01			
2	*Harness Assembly, H7868	70-23366-01			
3	*Circuit Breaker	12-19912-06			
4	*Support, Spring	74-34431-01			
5	*Spring, Compression	12-27235-02			
6	*Nut, Kep No. 6-32	90-08055-00			
7	*Jumper Assembly, 2-Pin Mate-N-Lok, 120V	70-23770-01		A	
8	*Pad, Insulator	74-33418-01			
9	*Washer, Retaining (replaces 12-27764-01)	12-30421-01	00004		
10	*Bushing, Captive Screw	12-27446-01			
11	*Spring, Compression	12-27445-01			
12	*Washer, External Tooth Lock No. 6	90-07649-00			
13	*Screw, Slotted Shoulder Hd No. 6-32 x 1/2	12-27771-01			
14	*Finger, Grounding	12-26922-01			
15	*Bracket, Power Supply (deleted)	74-36556-01	00004		
16	*Tie, Cable (deleted)	90-07031-00	00004		
17	*Enclosure, Power Supply	74-34416-01			
18	*Cover, Top Power Supply	74-33976-01			
19	*Screw, Sems Phi Pan Hd No. 4-40 x 3/8	90-09643-00			
20	*Cover, Power Supply	74-33417-01			
21	*Screw, Sems Phi Pan Hd No. 6-32 x 5/16	90-09984-07			
	LABELS (Not Shown)				
	*Label, "Power Supply H7868-A"	36-26511-01		A	
	*Label, "Power Supply H7868-B"	36-25611-02		B	
	*Label, "I.D./REV"	36-27463-01		A	
	*Label, "I.D./REV"	36-27463-02		B	
	*Label, "Danger High Voltage"	36-10267-02			



BA214-03-BD

Figure 3. Filter Assembly, AC/EMI

FIG. & ITEM NO.	DESCRIPTION	DEC PART NO.	ECO CUT-IN 70-24279 00001	USED ON CODE	REF FIG NO.
3-	FILTER ASSEMBLY, AC/EMI	70-24279-01			3
1	*Fan, Tube Axial 4-1/2 Inch	12-23609-04			
2	*Fan Tray (Weldment)	70-24277-01			
3	*Nut, Well No 6-32	90-10115-00			
4	*Screw, Phi Pan Hd No. 6-32 x 2	90-06032-01			
5	*Filter, EMI 6A	12-27835-01			
6	*Grommet, Caterpillar	12-25469-03			
7	*Cable Assembly, 2 Conductor (J2)	17-01638-01			
8	*Cable Tie	90-07031-00			
9	*Nut, Kep No. 10-32	90-06565-00			
10	*Washer, Flat	90-06664-00			
11	*Screw, Sems Phi Pan Hd No. 8-32 x 5/16	90-10174-01			
12	*Connector, Power (J1)	12-25570-01			
13	*Cable Assembly, 1 Conductor, Ring Terminal, Crimp Socket Contact	17-01640-01			
14	*Clip, Cable	12-21249-01			
15	*Grommet, Caterpillar	12-25469-04			
16	*Screw, Shoulder No. 8-32	12-27034-01			
LABEL (Not Shown)					
*Label, "Ground"		36-12680-02			

Ω

PART NUMBER/DESCRIPTION SORT



BA214 SORT BY DEC PART NUMBER

PART NO.	DESCRIPTION	FIG NO.	ITEM NO.
12-19912-06	Circuit Breaker	2	31
12-21249-01	Clip, Cable	3	14
12-23609-04	Fan, Tube Axial 4-1/2 Inch	3	1
12-25469-03	Grommet, Caterpillar	3	6
12-25469-04	Grommet, Caterpillar	3	15
12-25570-01	Connector, Power (J1)	3	12
12-26922-01	Finger, Grounding	2	14
12-26922-01	Finger, Grounding	1	8
12-27034-01	Screw, Shoulder No. 8-32	3	16
12-27235-02	Spring, Compression	2	5
12-27445-01	Spring, Compression	2	11
12-27446-01	Bushing, Captive Screw	2	10
12-27771-01	Screw, Slotted Shoulder Hd No. 6-32 x 1/2	2	13
12-27835-01	Filter, EMI 6A	3	5
12-30421-01	Washer, Retaining (replaces 12-27764-01)	2	9
17-01638-01	Cable Assembly, 2 Conductor (J2)	3	7
17-01639-01	Cable Assembly, 2 Conductor, Fan Connector, Locking Female Connector (J1-1, J1-2 thru J2-4, J2-5)	1	7
17-01640-01	Cable Assembly, 1 Conductor, Ring Terminal, Crimp Socket Contact	3	13
36-10267-02	Label, "Danger High Voltage"	2	Not Shown
36-12680-02	Label, "Ground"	3	Not Shown
36-26511-01	Label, "Power Supply H7858-A"	2	Not Shown
36-26511-02	Label, "Power Supply H7868-B"	2	Not Shown
36-27463-01	Label, "H7868-A"	2	Not Shown
36-27463-02	Label, "H7868-B"	2	Not Shown
54-16879-01	Module, Power Supply	2	1
54-17213-01	Backplane, BA214	1	3
54-17408-02	Backplane, BA214/BA215 (added)	1	3
70-23366-01	Harness Assembly, H7868	2	2
70-23770-01	Jumper Assembly, 2-Pin Mate-N-Lok, 120V	2	7
70-24277-01	Fan Tray (Weldment)	3	2
70-24279-01	FILTER ASSEMBLY, AC/EMI	3	N/A
70-24279-01	FILTER ASSEMBLY, AC/EMI	1	5
70-24512-01	Enclosure Assembly, Riveted	1	1
70-24513-01	Panel Assembly, Access	1	2
70-24536-01	BA214 CHASSIS ASSEMBLY, 100/120V	1	N/A
70-24536-02	BA214 CHASSIS ASSEMBLY, 220/240V	1	N/A
70-24536-03	BA214 CHASSIS ASSEMBLY, 120/240V	1	N/A
70-24536-04	BA214 CHASSIS ASSEMBLY, 220/240V	1	N/A

NOTE

When the description includes "added" or "deleted", ALWAYS refer to the figure parts list for the latest related part description.

BA214 SORT BY DEC PART NUMBER

PART NO.	DESCRIPTION	FIG NO.	ITEM NO.
74-33416-01	Enclosure, Power Supply	2	17
74-33417-01	Cover, Power Supply	2	20
74-33418-01	Pad, Insulator	2	8
74-33976-01	Cover, Top Power Supply	2	18
74-34431-01	Support, Spring	2	4
74-34782-01	Cover, Backplane	1	4
74-36556-01	Bracket, Power Supply (deleted)	2	15
90-00063-78	Screw, Self-Tap Truss Hd No. 6 x 5/16	1	10
90-06032-01	Screw, Phi Pan Hd No. 6-32 x 2	3	4
90-06565-00	Nut, Kep No. 10-32	3	9
90-06664-00	Washer, Flat	3	10
90-07031-00	Tie, Cable (deleted)	2	16
90-07031-00	Tie, Cable	3	8
90-07649-00	Washer, External Tooth Lock No. 6	2	12
90-08055-00	Nut, Kep No. 6-32	2	6
90-09643-00	Screw, Sems Phi Pan Hd No. 4-40 x 3/8	2	19
90-09984-07	Screw, Sems Phi Pan Hd No. 6-32 x 5/16	2	21
90-10115-00	Nut, Well No. 6-32	3	3
90-10174-01	Screw, Sems Phi Pan Hd No. 8-32 x 5/16	3	11
90-10174-01	Screw, Sems Phi Pan Hd No. 8-32 x 5/16	1	9
H7868-A	POWER SUPPLY ASSEMBLY, 100/120V	2	N/A
H7868-A	POWER SUPPLY ASSEMBLY, 100/120V	1	6
H7868-B	POWER SUPPLY ASSEMBLY, 220/240V	1	6
H7868-B	POWER SUPPLY ASSEMBLY, 220/240V	2	N/A

NOTE

When the description includes "added" or "deleted", ALWAYS refer to the figure parts list for the latest related part description.

BA214 SORT BY DEC PART DESCRIPTION

DESCRIPTION	DEC PART NO.	FIG. NO.	ITEM
BA214 CHASSIS ASSEMBLY, 100/120V	70-24536-01	1	N/A
BA214 CHASSIS ASSEMBLY, 120/240V	70-24536-03	1	N/A
BA214 CHASSIS ASSEMBLY, 220/240V	70-24536-02	1	N/A
BA214 CHASSIS ASSEMBLY, 220/240V	70-24536-04	1	N/A
Backplane, BA214	54-17213-01	1	3
Backplane, BA214/BA215 (added)	54-17408-02	1	3
Bracket, Power Supply (deleted)	74-36556-01	2	15
Bushing, Captive Screw	12-27446-01	2	10
Cable Assembly, 1 Conductor, Ring Terminal, Crimp Socket Contact	17-01640-01	3	13
Cable Assembly, 2 Conductor (J2)	17-01638-01	3	7
Cable Assembly, 2 Conductor, Fan Connector, Locking Female Connector (J1-1, J1-2 thru J2-4, J2-5)	17-01639-01	1	7
Circuit Breaker	12-19912-06	2	3
Clip, Cable	12-21249-01	3	14
Connector, Power (J1)	12-25570-01	3	12
Cover, Backplane	74-34782-01	1	4
Cover, Power Supply	74-33417-01	2	20
Cover, Top Power Supply	74-33976-01	2	18
Enclosure Assembly, Riveted	70-24512-01	1	1
Enclosure, Power Supply	74-33416-01	2	17
Fan Tray (Weldment)	70-24277-01	3	2
Fan, Tube Axial 4-1/2 Inch	12-23609-04	3	1
FILTER ASSEMBLY, AC/EMI	70-24279-01	1	5
FILTER ASSEMBLY, AC/EMI	70-24279-01	3	N/A
Filter, EMI 6A	12-27835-01	3	5
Finger, Grounding	12-26922-01	1	8
Finger, Grounding	12-26922-01	2	14
Grommet, Caterpillar	12-25469-04	3	15
Grommet, Caterpillar	12-25469-03	3	6
Harness Assembly, H7868	70-23366-01	2	2
Jumper Assembly, 2-Pin Mate-N-Lok, 120V	70-23770-01	2	7
Label, "Danger High Voltage"	36-10267-02	2	Not Shown
Label, "Ground"	36-12680-02	3	Not Shown
Label, "H7868-A"	36-27463-01	2	Not Shown
Label, "H7868-B"	36-27463-02	2	Not Shown
Label, "Power Supply H7868-A"	36-26511-01	2	Not Shown
Label, "Power Supply H7868-B"	36-26511-02	2	Not Shown
Module, Power Supply	54-16879-01	2	1
Nut, Kep No. 10-32	90-06565-00	3	9
Nut, Kep No. 6-32	90-08055-00	2	6
Nut, Well No. 6-32	90-10115-00	3	3

NOTE

When the description includes "added" or "deleted", ALWAYS refer to the figure parts list for the latest related part description.

BA214 SORT BY DEC PART DESCRIPTION

DESCRIPTION	DEC PART NO.	FIG. NO.	ITEM
Pad, Insulator	74-33418-01	2	8
Panel Assembly, Access	70-24513-01	1	2
POWER SUPPLY ASSEMBLY, 100/120V	H7868-A	2	N/A
POWER SUPPLY ASSEMBLY, 100/120V	H7868-A	1	6
POWER SUPPLY ASSEMBLY, 220/240V	H7868-B	1	6
POWER SUPPLY ASSEMBLY, 220/240V	H7868-B	2	N/A
Screw, Phi Pan Hd No. 6-32 x 2	90-06032-01	3	4
Screw, Self-Tap Truss Hd No. 6 x 5/16	90-00063-78	1	10
Screw, Sems Phi Pan Hd No. 4-40 x 3/8	90-09643-00	2	19
Screw, Sems Phi Pan Hd No. 6-32 x 5/16	90-09984-07	2	21
Screw, Sems Phi Pan Hd No. 8-32 x 5/16	90-10174-01	1	9
Screw, Sems Phi Pan Hd No. 8-32 x 5/16	90-10174-01	3	11
Screw, Shoulder No. 8-32	12-27034-01	3	16
Screw, Slotted Shoulder Hd No. 6-32 x 1/2	12-27771-01	2	13
Spring, Compression	12-27445-01	2	11
Spring, Compression	12-27235-02	2	5
Support, Spring	74-34431-01	2	4
Tie, Cable	90-07031-00	3	8
Tie, Cable (deleted)	90-07031-00	2	16
Washer, External Tooth Lock No. 6	90-07649-00	2	12
Washer, Flat	90-06664-00	3	10
Washer, Retaining (replaces 12-27764-01)	12-30421-01	2	9

NOTE

When the description includes "added" or "deleted", ALWAYS refer to the figure parts list for the latest related part description.