

**ILLUSTRATED
PARTS
BREAKDOWN**

**DEFCON
DECconcentrator 500**

HOW TO USE THE IPB

GENERAL

This IPB is compiled following the organization and nomenclature of the engineering drawing structure.

MAJOR ASSEMBLY LOCATOR (When Applicable)

The Major Assembly Locator (first illustration) is an index that provides a description and a figure reference for all illustrations used in this manual.

INDENTED PARTS LIST

This manual identifies each assembly being broken down (figure reference callout), and all parts of that assembly. Further breakdown of an assembly is shown by an asterisk (*) preceding the item callouts in the Description Column. The number of asterisks preceding an item is used to denote the subordination of that item with respect to the Major Assembly. A single asterisk preceding an item description indicates that the item is part of the major assembly being illustrated. Items that are subordinate to single asterisks items, are denoted by two asterisks (**), and immediately follow the related single asterisk item. This system of part identification provides a means for the user to identify the next higher assembly item and make alternate selections for parts when the required replacement part of assembly is not immediately available.

COLUMN CALLOUT DESCRIPTION

Figure and Item - indicates the figure number and item number of each part.

Description - Lists the name of the part and pertinent specifications (when required). Asterisks preceding the description denote the subordination of the part to the next higher assembly.

DLC Part No. - Lists the Digital part ordering number. A blank in this column indicates a Digital part number was not assigned at the time of publication.

ECO Cut-In - The notation at the top of this column indicates the ECO level of the system (option), at which the IPB was initially prepared. Subsequent ECO level designations, that modify existing parts or add new parts to the device, are inserted in the ECO Cut-In column next to the part that is added or modified.

Used On Code - Letters in this column correspond to the variation codes assigned in Figure 1. Parts with an Alpha notation(s) are used only in those option variations. A blank indicates that the part is used on all option variations.

Ref Fig No. - A cross reference between illustrations. For each Major Assembly, the number in this column denotes the figure of the next higher assembly. For all subassemblies, the number in this column denotes the figure showing additional detailed breakdown.

PART NUMBER/PART DESCRIPTION INDEX SECTION

Parts are indexed both numerically and alphabetically by description, referenced to a location within the IPB, by figure number and item number.

REVISION HISTORY

**OTHER IPB
MANUALS
REFERENCED**

PRINTING	ECO LEVEL		DATE	OTHER IPB MANUALS REFERENCED
1st Printing	DEFCON 70-26726	00000-00000 00000-00000	10-MAY-90	N/A

Digital Equipment Corporation reserves the right, without notice, to make substitutions and modifications in the specifications of products documented in this manual and further reserves the right to withdraw any of these products from the market without notice.

Digital Equipment Corporation is not responsible for errors which may appear in the technical description (including illustrations and photographs) of the products covered by this manual.

None of the descriptions contained in this manual imply the granting of any license whatsoever to make, use or sell equipment constructed in accordance therewith.

Restricted Rights: Use, duplication or disclosure by the U.S. Government is subject to restrictions as set forth in subparagraph (c) (1) (ii) of the Rights in Technical Data and Computer Software clause at DFARS 252.227-2713.

Copyright © 1990 by Digital Equipment Corporation. All rights reserved.

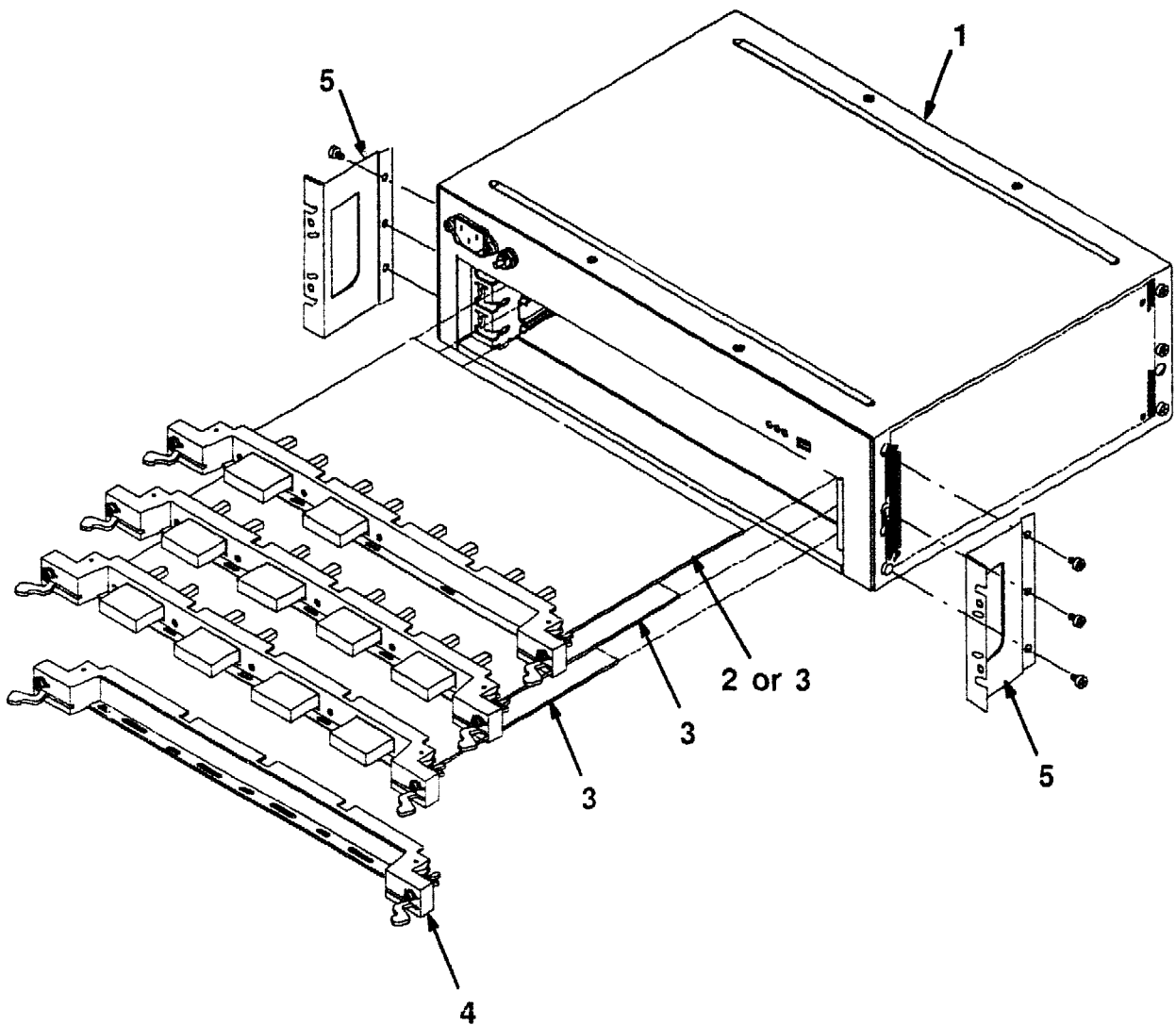
The postage-paid READER'S COMMENTS form on the last page of this document requests your critical evaluation to assist us in preparing future documentation.

The following are trademarks of Digital Equipment Corporation :

digitalTM

DEC
DECconnect
DECconcentrator 500
DECserver
DECUS
DEMPA
DESTA
PDP
ThinWire
UNIBUS
VAX

Printed in U.S.A.

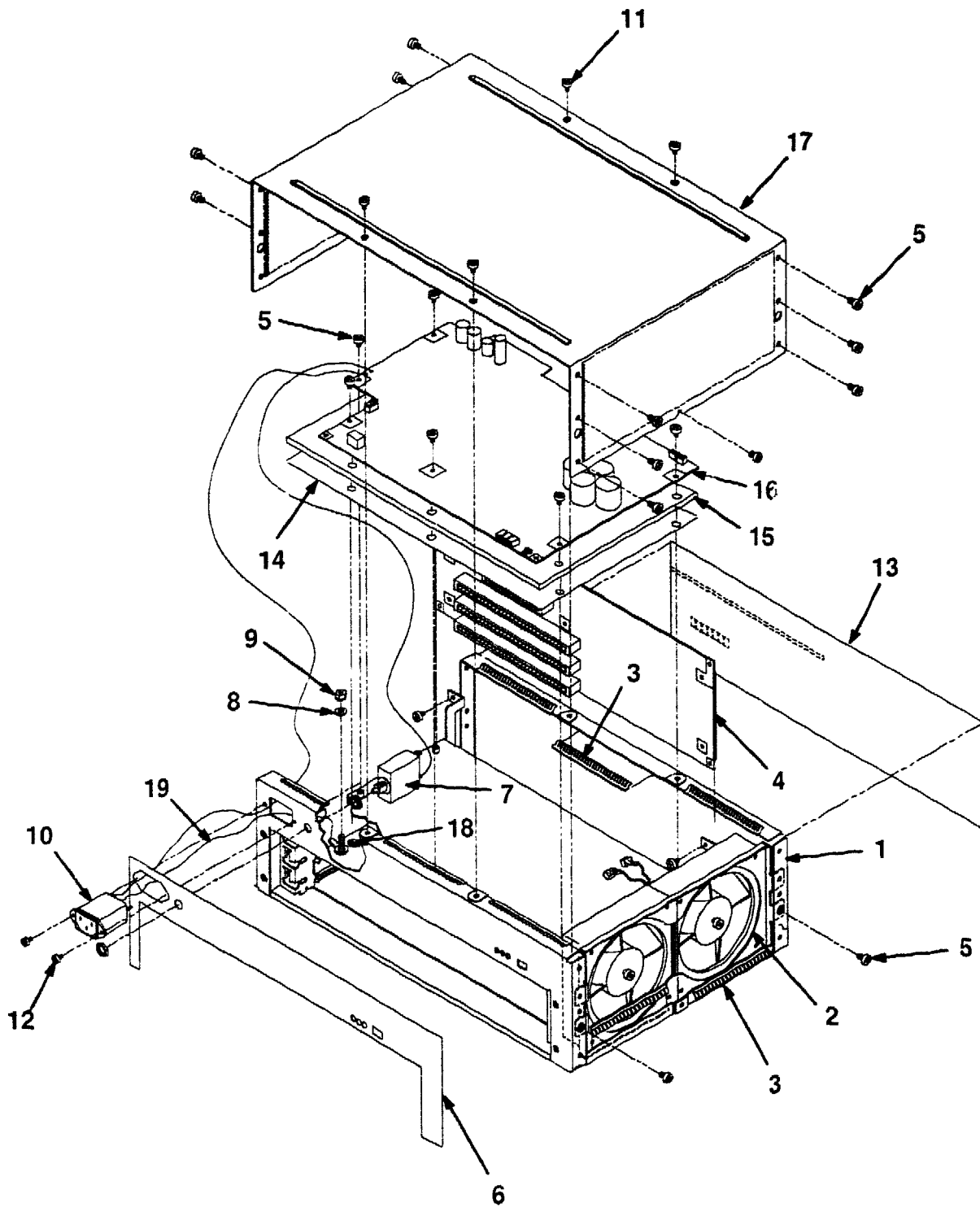


DEFCN-01-IL

Figure 1. DEFCN DECconcentrator 500



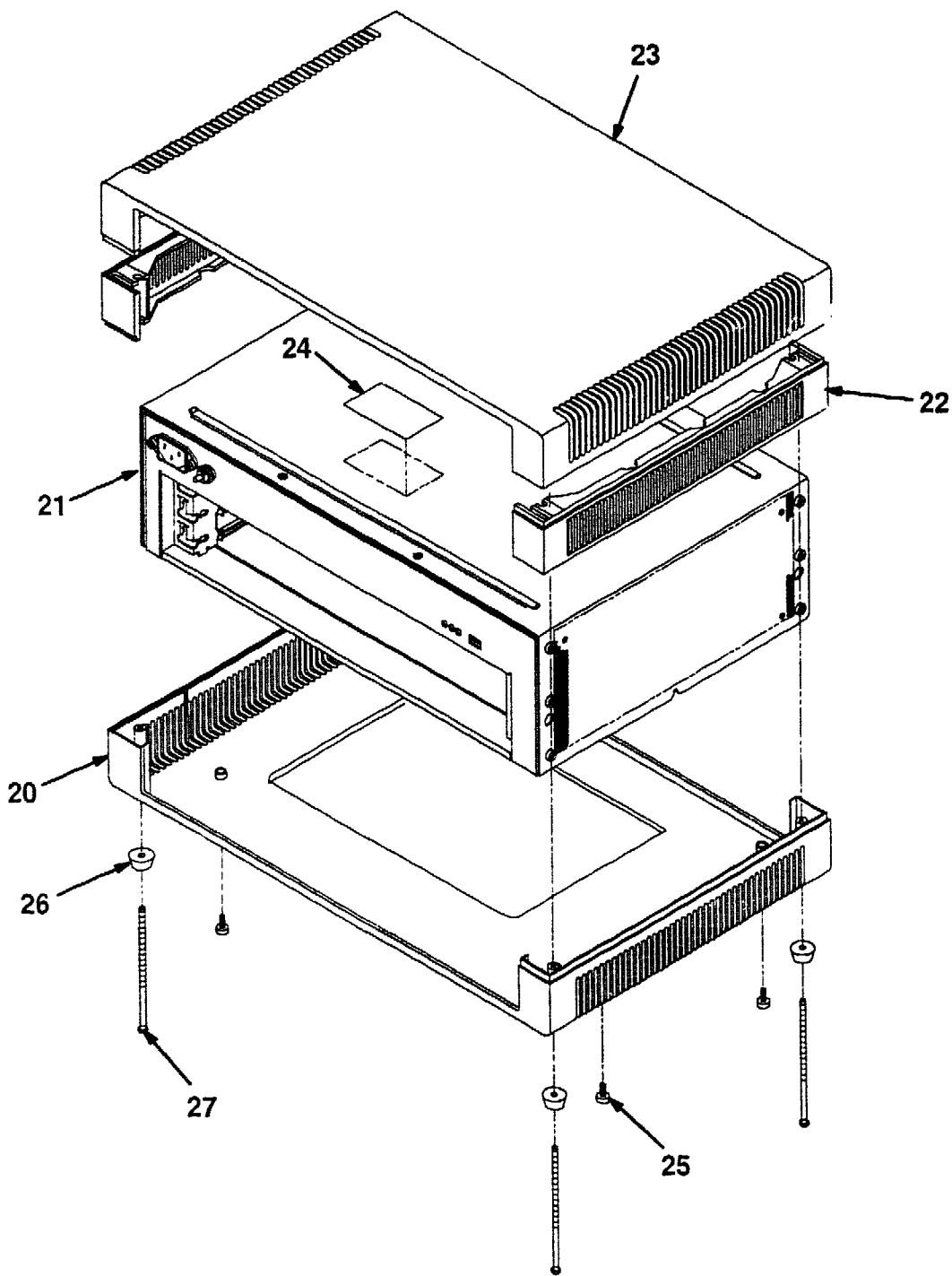
FIG. & ITEM NO.	DESCRIPTION	DEC PART NO.	ECO CUT-IN DEFCN 00000	USED ON CODE	REF FIG NO.
1-	DEFCN DECconcentrator 500				
	Code A - Used on DEFCN-AA (Rack Mount, USA w/Power Cord, w/o Enclosure)	DEFCN-AA		A	
	Code B - Used on DEFCN-AB (Rack Mount, w/o Enclosure)	DEFCN-AB		B	
	Code C - Used on DEFCN-BA (Table Top, USA w/Power Cord, w/Enclosure)	DEFCN-BA		C	
	Code D - Used on DEFCN-BB (Table Top, w/Enclosure)	DEFCN-BB		D	
	Code E - Used on DEFCN-MA (Factory Installed Network Management Module)	DEFCN-MA		E	
	Code F - Used on DEFCN-MF (Field/Customer Installable Network Management Module)	DEFCN-MF		F	
	Code G - Used on DEFCN-NA (Factory Installed Port Module)	DEFCN-NA		G	
	Code H - Used on DEFCN-NF (Field/Customer Installable Port Module)	DEFCN-NF		H	
1	*DEFCN BOX ASSEMBLY, w/o ENCLOSURE	70-26726-01		AB	2
	*DEFCN BOX ASSEMBLY, w/ENCLOSURE	70-26726-02		CD	2
2	*Module, Network Management	54-19383-01		EF	
3	*Module, Port	54-19381-01		GH	
4	*Handle Assembly, Blank	70-26994-01			
5	*Bracket, Common Box Mounting 5-1/4 Inch	H041-AE		AB	
	ITEMS (Not Shown)				
	*Cord, Power Terminal 125V	17-00606-02		AC	
	*Connector, Fiber Optic Loopback FDDI	12-32005-01		A-D	



DEFCN-02-IL

Figure 2. DEFCN Box Assembly, w/o Enclosure (Sheet 1 of 2)

PARTS LIST



DEFCN-02A-IL

Figure 2. DEFCN Box Assembly, w/Enclosure (Sheet 2 of 2)

FIG. & ITEM NO.	DESCRIPTION	DEC PART NO.	A ECO CUT-IN 70-26726 00000	USED ON CODE	REF FIG NO.
2-	DEFCN BOX ASSEMBLY, w/o ENCLOSURE	70-26726-01		AB	1
	DEFCN BOX ASSEMBLY, w/ENCLOSURE	70-26726-02		CD	1
1	*Sub Assembly, Base	70-26993-01		AB	
2	*Fan Assembly	70-26996-01		AB	
3	*Shield, EMI/RFI Copper Fingers	12-26160-01		AB	
4	*Backplane Assembly	54-19379-01		AB	
5	*Screw, Sems Phi Pan Hd No. 6-32 x 3/8	90-09984-00		AB	
6	*Label, "DECconcentrator 500" Rear	36-32531-01		AB	
7	*Breaker, Circuit 1P 4.0A 250V	12-19912-02		AB	
8	*Washer, Flat	90-06564-00		AB	
9	*Nut, Kep No. 10-32	90-06565-00		AB	
10	*Filter Assembly, AC Line	12-32976-01		AB	
11	*Screw, Machine Flat Hd No. 6-32 x 3/16	90-09749-00		AB	
12	*Screw, Machine Pan Hd No. 4-40 x 3/8	90-06011-01		AB	
13	*Label, "DECconcentrator 500" Front	36-32532-01		AB	
14	*Insulator, Lexan Base	74-39627-01		AB	
15	*Insulator, Foam Base	74-41421-01		AB	
16	*Power Supply, 164/225VDC	H7855-A		AB	
17	*Cover Assembly	70-26727-01		AB	
18	*Label, Ground Symbol	36-12680-02		AB	
19	*Jumper, Wire w/2 Insulated Fast-On	17-02676-01		AB	
20	*Box, Enclosure	74-32072-03		CD	
21	*Box Assembly	70-26726-01		CD	
22	*Spacer	74-32246-01		CD	
23	*Cover Assembly, Top	74-32072-01		CD	
24	*Label, "Warning/Caution" DECOM	36-22207-03		AB	
25	*Screw, Sems Phi Pan Hd No. 6-32 x 9/16	90-09984-01		CD	
26	*Foot, Rubber	12-24506-02		CD	
27	*Screw, Machine No. 8-32 x 4 1/2	90-08411-02		CD	
	ITEM (Not Shown)				
	*Finger, Grounding Non-Snag	12-26922-02		AB	
					Ω

PART NUMBER/DESCRIPTION SORT



INDEX BY DEC PART NUMBER
DEFCN DECconcentrator 500

PART NO.	DESCRIPTION	FIG NO.	ITEM NO.
12-19912-02	Breaker, Circuit 1P 4.0A 250V	2	7
12-24506-02	Foot, Rubber	2	26
12-26160-01	Shield, EMI/RFI Copper Fingers	2	3
12-26922-02	Finger, Grounding Non-Snag	2	Not Shown
12-32005-01	Connector, Fiber Optic Loopback FDDI	1	Not Shown
12-32976-01	Filter Assembly, AC Line	2	10
17-00606-02	Cord, Power Terminal 125V	1	Not Shown
17-02676-01	Jumper, Wire w/2 Insulated Fast-On	2	19
36-12680-02	Label, Ground Symbol	2	18
36-22207-03	Label, "Warning/Caution" DECOM	2	24
36-32531-01	Label, "DECconcentrator 500" Rear	2	6
36-32532-01	Label, "DECconcentrator 500" Front	2	13
54-19379-01	Backplane Assembly	2	4
54-19381-01	Module, Port	1	3
54-19383-01	Module, Network Management	1	2
70-26726-01	DEFCN BOX ASSEMBLY, w/o ENCLOSURE	1	1
70-26726-01	DEFCN BOX ASSEMBLY, w/o ENCLOSURE	2	N/A
70-26726-01	Box Assembly	2	21
70-26726-02	DEFCN BOX ASSEMBLY, w/ENCLOSURE	1	1
70-26726-02	DEFCN BOX ASSEMBLY, w/ENCLOSURE	2	N/A
70-26727-01	Cover Assembly	2	17
70-26993-01	Sub Assembly, Base	2	1
70-26994-01	Handle Assembly, Blank	1	4
70-26996-01	Fan Assembly	2	2
74-32072-01	Cover Assembly, Top	2	23
74-32072-03	Box, Enclosure	2	20
74-32246-01	Spacer	2	22
74-39627-01	Insulator, Lexan Base	2	14
74-41421-01	Insulator, Foam Base	2	15
90-06011-01	Screw, Machine Pan Hd No. 4-40 x 3/8	2	12
90-06565-00	Nut, Kep No. 10-32	2	9
90-06664-00	Washer, Flat	2	8
90-08411-02	Screw, Machine No. 8-32 x 4 1/2	2	27
90-09749-00	Screw, Machine Flat Hd No. 6-32 x 3/16	2	11
90-09984-00	Screw, Sems Phi Pan Hd No. 6-32 x 3/8	2	5
90-09984-01	Screw, Sems Phi Pan Hd No. 6-32 x 9/16	2	25
DEFCN-AA	DEFCN-AA (Rack Mount, USA w/Power Cord, w/o Enclosure)	1	N/A
DEFCN-AB	DEFCN-AB (Rack Mount, w/o Enclosure)	1	N/A
DEFCN-BA	DEFCN-BA (Table Top, USA w/Power Cord, w/Enclosure)	1	N/A
DEFCN-BB	DEFCN-BB (Table Top, w/Enclosure)	1	N/A
DEFCN-MA	DEFCN-MA (Factory Installed Network Management Module)	1	N/A
DEFCN-MF	DEFCN-MF (Field/Customer Installable Network Management Module)	1	N/A
DEFCN-NA	DEFCN-NA (Factory Installed Port Module)	1	N/A

INDEX BY DEC PART NUMBER
DEFCN DECconcentrator 500

PART NO.	DESCRIPTION	FIG NO.	ITEM NO.
DEFCN-NF	DEFCN-NF (Field/Customer Installable Port Module)	1	N/A
H041-AE	Bracket, Common Box Mounting 5-1/4 Inch	1	5
H7855-A	Power Supply, 164/225VDC	2	16
N/A	DEFCN DECconcentrator 500	1	N/A

INDEX BY DEC PART DESCRIPTION

DEFCON DECconcentrator 500

DESCRIPTION	DEC PART NO.	FIG. NO.	ITEM NO.
Backplane Assembly	54-19379-01	2	4
Box Assembly	70-26726-01	2	21
Box, Enclosure	74-32072-03	2	20
Bracket, Common Box Mounting 5-1/4 Inch	H041-AE	1	5
Breaker, Circuit 1P 4.0A 250V	12-19912-02	2	7
Connector, Fiber Optic Loopback FDDI	12-32005-01	1	Not Shown
Cord, Power Terminal 125V	17-00606-02	1	Not Shown
Cover Assembly	70-26727-01	2	17
Cover Assembly, Top	74-32072-01	2	23
DEFCON BOX ASSEMBLY, w/ENCLOSURE	70-26726-02	1	1
DEFCON BOX ASSEMBLY, w/ENCLOSURE	70-26726-02	2	N/A
DEFCON BOX ASSEMBLY, w/o ENCLOSURE	70-26726-01	2	N/A
DEFCON BOX ASSEMBLY, w/o ENCLOSURE	70-26726-01	1	1
DEFCON DECconcentrator 500	N/A	1	N/A
DEFCON-AA (Rack Mount, USA w/Power Cord, w/o Enclosure)	DEFCON-AA	1	N/A
DEFCON-AB (Rack Mount, w/o Enclosure)	DEFCON-AB	1	N/A
DEFCON-BA (Table Top, USA w/Power Cord,w/Enclosure)	DEFCON-BA	1	N/A
DEFCON-BB (Table Top, w/Enclosure)	DEFCON-BB	1	N/A
DEFCON-MA (Factory Installed Network Management Module)	DEFCON-MA	1	N/A
DEFCON-MF (Field/Customer Installable Network Management Module)	DEFCON-MF	1	N/A
DEFCON-NA (Factory Installed Port Module)	DEFCON-NA	1	N/A
DEFCON-NF (Field/Customer Installable Port Module)	DEFCON-NF	1	N/A
Fan Assembly	70-26996-01	2	2
Filter Assembly, AC Line	12-32976-01	2	10
Finger, Grounding Non-Snag	12-26922-02	2	Not Shown
Foot, Rubber	12-24506-02	2	26
Handle Assembly, Blank	70-26994-01	1	4
Insulator, Foam Base	74-41421-01	2	15
Insulator, Lexan Base	74-39627-01	2	14
Jumper, Wire w/2 Insulated Fast-On	17-02676-01	2	19
Label, Ground Symbol	36-12680-02	2	18
Label, "DECconcentrator 500" Front	36-32532-01	2	13
Label, "DECconcentrator 500" Rear	36-32531-01	2	6
Label, "Warning/Caution" DECOM	36-22207-03	2	24
Module, Network Management	54-19383-01	1	2
Module, Port	54-19381-01	1	3
Nut, Kep No. 10-32	90-06565-00	2	9
Power Supply, 164/225VDC	H7855-A	2	16
Screw, Machine No. 8-32 x 4 1/2	90-08411-02	2	27

INDEX BY DEC PART DESCRIPTION

DEFCN DECconcentrator 500

DESCRIPTION	DEC PART NO.	FIG. NO.	ITEM NO.
Screw, Machine Pan Hd No. 4-40 x 3/8	90-06011-01	2	12
Screw, Machine Flat Hd No. 6-32 x 3/16	90-09749-00	2	11
Screw, Sems Phi Pan Hd No. 6-32 x 3/8	90-09984-00	2	5
Screw, Sems Phi Pan Hd No. 6-32 x 9/16	90-09984-01	2	25
Shield, EMI/RFI Copper Fingers	12-26160-01	2	3
Spacer	74-32246-01	2	22
Sub Assembly, Base	70-26993-01	2	1
Washer, Flat	90-06664-00	2	8