

**ILLUSTRATED
PARTS
BREAKDOWN**

**640QT rtVAX
BASIC SYSTEM**

HOW TO USE THE IPB

GENERAL

This IPB is compiled following the organization and nomenclature of the engineering drawing structure

MAJOR ASSEMBLY LOCATOR (When Applicable)

The Major Assembly Locator (first illustration) is an index that provides a description and a figure reference for all illustrations used in this manual

INDENTED PARTS LIST

This manual identifies each assembly being broken down (figure reference callout) and all parts of that assembly. Further breakdown of an assembly is shown by an asterisk (*) preceding the item callouts in the Description Column. The number of asterisks preceding an item is used to denote the subordination of that item with respect to the Major Assembly. A single asterisk preceding an item description indicates that the item is part of the major assembly being illustrated. Items that are subordinate to single asterisks items are denoted by two asterisks (**) and immediately follow the related single asterisk item. This system of part identification provides a means for the user to identify the next higher assembly item and make alternate selections for parts when the required replacement part of assembly is not immediately available

COLUMN CALLOUT DESCRIPTION

Figure and Item - Indicates the figure number and item number of each part.

Description - Lists the name of the part and pertinent specifications (when required). Asterisks preceding the description denote the subordination of the part to the next higher assembly.

DEC Part No. - Lists the Digital part ordering number. A blank in this column indicates a Digital part number was not assigned at the time of publication.

ECO Cut-In - The notation at the top of this column indicates the ECO level of the system (option) at which the IPB was initially prepared. Subsequent ECO level designations that modify existing parts or add new parts to the device are inserted in the ECO Cut-In column next to the part that is added or modified.

Used On Code - Letters in this column correspond to the variation codes assigned in Figure 1. Parts with an Alpha notation(s) are used only in those option variations. A blank indicates that the part is used on all option variations.

Ref Fig No. - A cross reference between illustrations. For each Major Assembly, the number in this column denotes the figure of the next higher assembly. For all subassemblies, the number in this column denotes the figure showing additional detailed breakdown.

PART NUMBER/PART DESCRIPTION SORT SECTION

Parts are sorted both numerically and alphabetically by description, referenced to a location within the IPB, by figure number and item number.

REVISION HISTORY

REVISION HISTORY			DATE	OTHER IPB MANUALS REFERENCED
PRINTING	ECO LEVEL			
1st Printing	640QT 70-25775	00000-00000 00001-00001	20-OCT-89	EK-BA214-IP

Digital Equipment Corporation reserves the right, without notice, to make substitutions and modifications in the specifications of products documented in this manual and further reserves the right to withdraw any of these products from the market without notice.

Digital Equipment Corporation is not responsible for errors which may appear in the technical description (including illustrations and photographs) of the products covered by this manual.

None of the descriptions contained in this manual imply the granting of any license whatsoever to make, use or sell equipment constructed in accordance therewith.

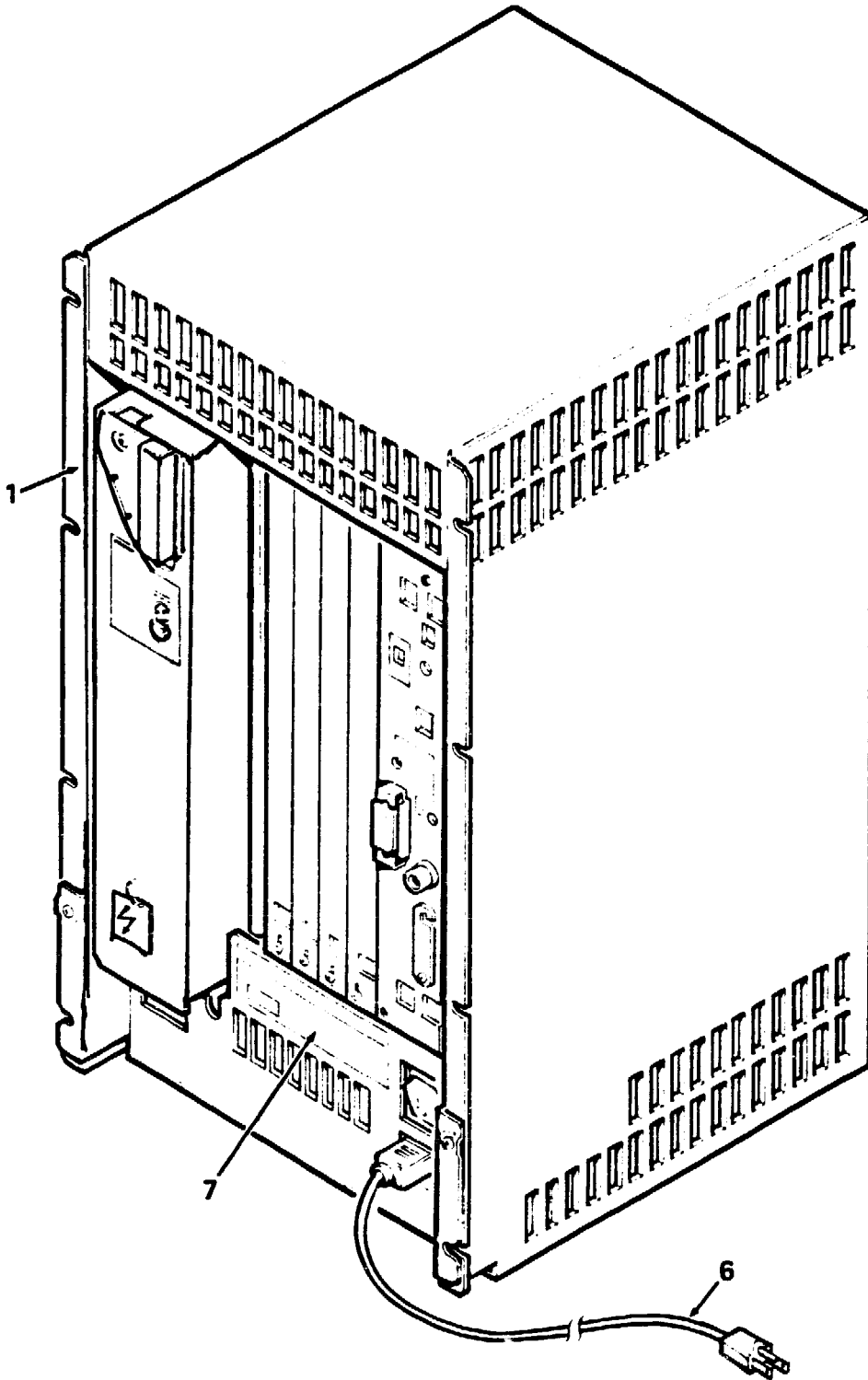
Copyright © 1989 by Digital Equipment Corporation. All rights reserved.

The postage-paid READER'S COMMENTS form on the last page of this document requests your critical evaluation to assist us in preparing future documentation.

The following are trademarks of Digital Equipment Corporation :



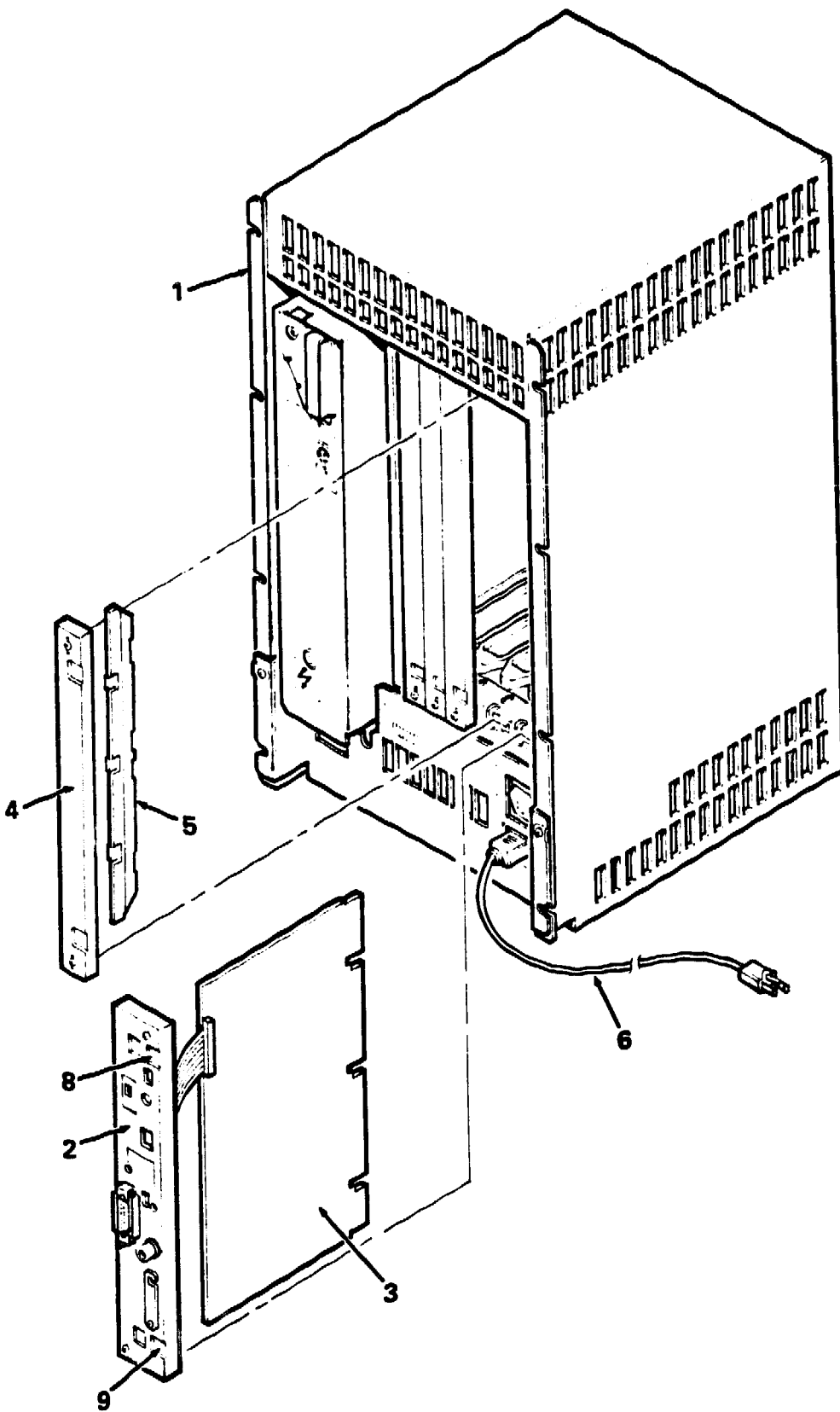
DEC
DECUS
PDP
rtVAX
UNIBUS
VAX



640QT-01-BD

Figure 1. 640QT rtVAX Basic System (Sheet 1 of 2)

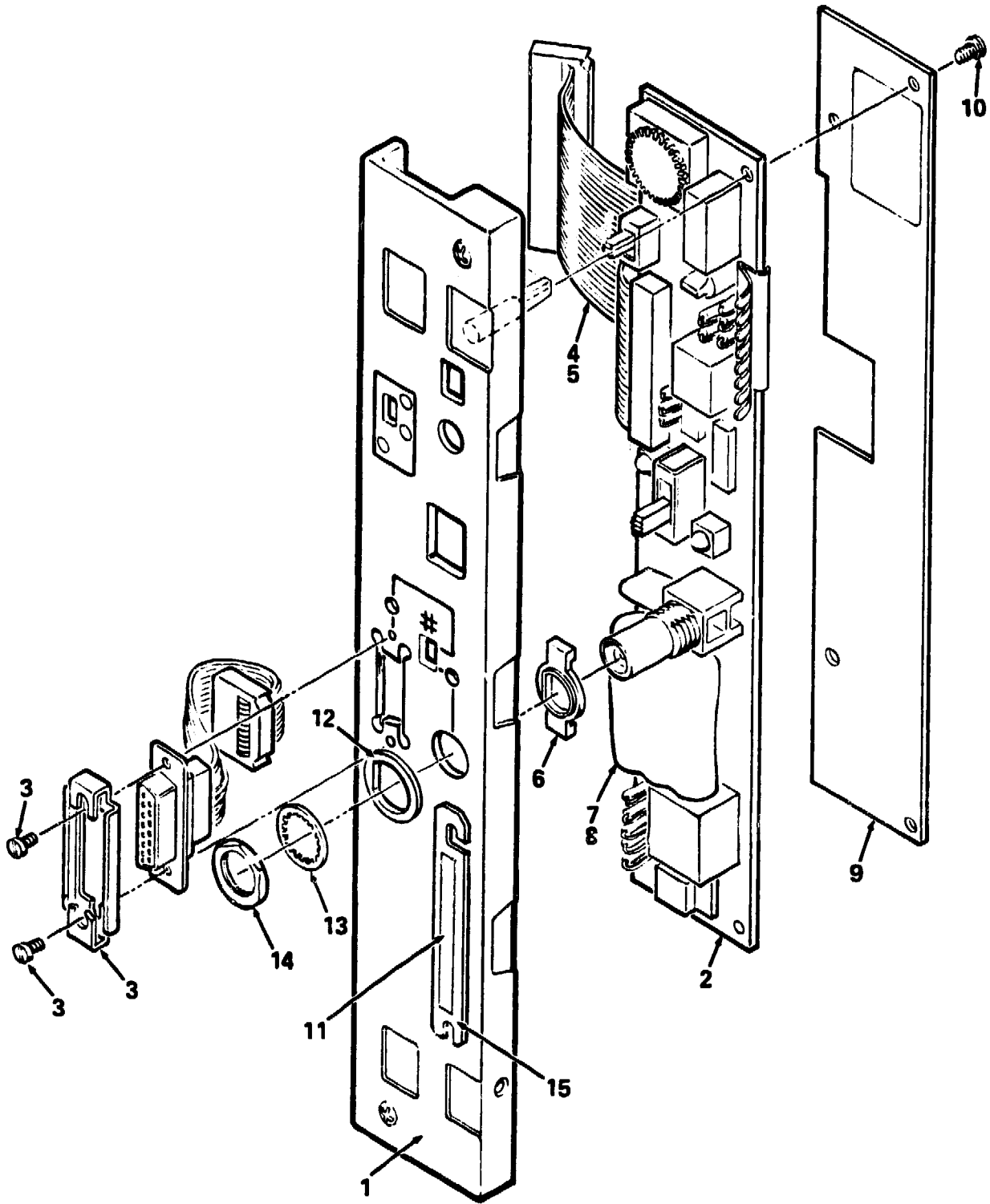




640QT-01A-BD

Figure 1. 640QT rtVAX Basic System (Sheet 2 of 2)

FIG. & ITEM NO.	DESCRIPTION	DEC PART NO.	ECO CUT-IN 640QT 00000	USED ON CODE	REF FIG NO.
1-	640QT rtVAX BASIC SYSTEM				
	Code A - Used on 640QT rtVAX (120V)	640QT-C2		A	
	Code B - Used on 640QT rtVAX (240V)	640QT-C3		B	
1	*CHASSIS ASSEMBLY, BA214 (100-120V) (See Note)	70-24536-03		A	
	*CHASSIS ASSEMBLY, BA214 (220-240V) (See Note)	70-24536-04		B	
2	*BULKHEAD ASSEMBLY, KA640 CONSOLE	70-25775-01			2
3	*Module, Mayfair II CPU	M7624-DA			
4	*Bulkhead Assembly, Front	70-23981-01			
5	*Panel Assembly, Gap Filler	70-24071-01			
6	*Cord, Power 3-18 SJT Terminated (125V)	17-00083-11		A	
7	*Label, "BA214 Product I.D."	36-28129-05			
8	*Label, "Module Number, M7624-DA, KA640-BA"	36-26883-98			
9	*Label, "BA2XX Rev"	36-29163-07			
	KITS (Not Shown)				
	*KIT, BA214 HALF S-BOX RACKMOUNT	BA214-RA			
	**HARDWARE, BA214 RACKMOUNT	70-24263-03			
	***Panel, Front	74-35428-01			
	***Panel, Support	74-35429-01			
	***Spacer, Rack Mount	74-35729-01			
	***Screw, Sems Phi Truss Hd No. 10-32 x 1/2	90-09700-00			
	***Screw, Sems Phi Pan Hd No. 10-32 x 3/8	90-09228-10			
	***Retainer, U-Nut No. 10-32	90-07786-00			
	*KIT, BA213 LARGE S-BOX WALLMOUNT	BA213-WA			
	**HARDWARE, BA213 WALL MOUNT	70-24263-01			
	***Bracket, Wall Mount	74-34432-01			
	***Screw, Sems Phi Pan Hd No. 10-32 x 3/8	90-09228-10			
	*KIT, BIZ ACCESSORIES (w/o Skins)	70-24316-01			
	**Cable Assembly, LAN 10 Foot	17-00811-02			
	**Connector, Adaptor	12-23599-01			
	**Screwdriver, Flat Blade	47-00042-01			
	**Label, "S-Box"	36-27923-01			
	LABELS (Not Shown)				
	*Label, "Pedestal BA214 Made in USA"	36-28128-01		A	
	*Label, "Pedestal BA214 Made in UK"	36-28128-04		A	
	*Label, "Pedestal BA214 Made in USA"	36-28128-15		B	
	*Label, "Pedestal BA214 Made in UK"	36-28128-16		B	
	*Label, "Warning, Equip. Rating 100-120V"	36-17905-16		A	
	*Label, "Warning, Equip. Rating 220-240V"	36-17905-17		B	
	NOTE: See IPB Manual EK-BA214-IP.				



640QT-02-BD

Figure 2. Bulkhead Assembly, KA640 Console



FIG. & ITEM NO.	DESCRIPTION	DEC PART NO. ^B	ECO CUT-IN 70-25775 00001	USED ON CODE	REF FIG NO.
2-	BULKHEAD ASSEMBLY, KA640 CONSOLE	70-25775-01			1
1	*Bulkhead Assembly, Front Dual	70-23982-09			
2	*Module, SLU/DESTA H3602 Console	54-17381-01			
3	*Latch Assembly, Slide w/Hardware (Posts, Washer, Lock Washer & Hex Nut)	12-18489-01			
4	*Cable Assembly, 14 Conductor Flat	17-02130-01			
5	*Tape, Foam	90-08228-00			
6	*Decoupler, Coaxial	12-30222-01			
7	*Battery, 3 Cell, 3.75V NICAD	12-19245-01			
8	*Tape, Velcro	12-26595-02			
9	*Insulator, Shield	74-37167-01			
10	*Screw, Sems Phi Pan Hd No. 6-32 x 5/16	90-09701-00			
11	*Label, "Debet Ethernet Address"	36-25542-02			
12	*Bushing, Mylar	12-20575-01			
13	*Washer, BNC Internal Tooth Lock No. 1/2	90-00037-05			
14	*Nut, Hex No. 1/2-28 Brass/Nickel	90-10563-01			
15	*Carrier, Label	74-34429-01			
Labels (Not Shown)					
*Label, "Baud Select"		36-26584-01			
*Label, "Direct Thermal"		36-28231-08			

Ω

PART NUMBER/DESCRIPTION INDEX



640QT rtVAX SORT BY DEC PART NUMBER

PART NO.	DESCRIPTION	FIG NO.	ITEM NO.
12-18489-01	Latch Assembly, Slide w/Hardware (Posts, Washer, Lock Washer & Hex Nut)	2	3
12-19245-01	Battery, 3 Cell, 3.75V NICAD	2	7
12-20575-01	Bushing, Mylar	2	12
12-23599-01	Connector, Adaptor	1	Not Shown
12-26595-02	Tape, Velcro	2	8
12-30222-01	Decoupler, Coaxial	2	6
17-00083-11	Cord, Power 3-18 SJT Terminated 125V	1	6
17-00811-02	Cable Assembly, LAN Connector 10 Foot	1	Not Shown
17-02130-01	Cable Assembly, 14 Conductor Flat	2	4
36-17905-16	Label, "Warning, Equip. Rating 100-120V"	1	Not Shown
36-17905-17	Label, "Warning, Equip. Rating 220-240V"	1	Not Shown
36-25542-02	Label, "Debet Ethernet Address"	2	11
36-26584-01	Label, "Baud Select"	2	Not Shown
36-26883-98	Label, "Module Number, M7624-DA, KA640-BA"	1	8
36-27923-01	Label, "S-Box"	1	Not Shown
36-28128-01	Label, "Pedestal BA214 Made in USA"	1	Not Shown
36-28128-04	Label, "Pedestal BA214 Made in UK"	1	Not Shown
36-28128-15	Label, "Pedestal BA214 Made in USA"	1	Not Shown
36-28128-16	Label, "Pedestal BA214 Made in UK"	1	Not Shown
36-28129-05	Label, "BA214 Product I.D."	1	7
36-28231-08	Label, "Direct Thermal"	2	Not Shown
36-29163-07	Label, "BA2XX Rev"	1	9
47-00042-01	Screwdriver, Flat Blade	1	Not Shown
54-17381-01	Module, SLU/DESTA H3602 Console	2	2
640QT-C2	640QT rtVAX (120V)	1	N/A
640QT-C3	640QT rtVAX (240V)	1	N/A
70-23981-01	Bulkhead Assembly, Front	1	4
70-23982-09	Bulkhead Assembly, Dual, H3602	2	1
70-24071-01	Panel Assembly, Gap Filler	1	5
70-24263-01	HARDWARE, BA213 WALL MOUNT	1	Not Shown
70-24263-03	HARDWARE, BA214 RACKMOUNT	1	Not Shown
70-24316-01	KIT, BIZ ACCESSORIES (w/o Skins)	1	Not Shown
70-24536-03	CHASSIS ASSEMBLY, BA214 100-120V	1	1
70-24536-04	CHASSIS ASSEMBLY, BA214 220-240V	1	1
70-25775-01	BULKHEAD ASSEMBLY, KA640 CONSOLE	1	2
70-25775-01	BULKHEAD ASSEMBLY, KA640 CONSOLE	2	N/A
74-34429-01	Carrier, Label	2	15
74-34432-01	Bracket, Wall Mount	1	Not Shown
74-35428-01	Panel, Front	1	Not Shown
74-35429-01	Panel, Support	1	Not Shown
74-35729-01	Spacer, Rack Mount	1	Not Shown
74-37167-01	Insulator, Shield	2	9

640QT rVAX SORT BY DEC PART NUMBER

PART NO.	DESCRIPTION	FIG NO.	ITEM NO.
90-00037-05	Washer, BNC Internal Tooth Lock No. 1/2	2	13
90-07786-00	Retainer, U-Nut No. 10-32	1	Not Shown
90-08228-00	Tape, Foam	2	5
90-09228-10	Screw, Sems Phi Pan Hd No. 10-32 x 3/8	1	Not Shown
90-09228-10	Screw, Sems Phi Pan Hd No. 10-32 x 3/8	1	Not Shown
90-09700-00	Screw, Sems Phi Truss Hd No. 10-32 x 1/2	1	Not Shown
90-09701-00	Screw, Sems Phi Pan Hd No. 6-32 x 5/16	2	10
90-10563-01	Nut, Hex No. 1/2-28 Brass/Nickel	2	14
BA213-WA	KIT, BA213 LARGE S-BOX WALLMOUNT	1	Not Shown
BA214-RA	KIT, BA214 HALF S-BOX RACKMOUNT	1	Not Shown
M7624-DA	Module, Mayfair II CPU	1	3

640QT rtVAX SORT BY DEC PART DESCRIPTION

DESCRIPTION	DEC PART NO.	FIG. NO.	ITEM
640QT rtVAX (120V)	640QT-C2	1	N/A
640QT rtVAX (240V)	640QT-C3	1	N/A
Battery, 3 Cell, 3.75V NICAD	12-19245-01	2	7
Bracket, Wall Mount	74-34432-01	1	Not Shown
Bulkhead Assømbly, Dual, H3602	70-23982-09	2	1
Bulkhead Assømbly, Front	70-23981-01	1	4
BULKHEAD ASSEMBLY, KA640 CONSOLE	70-25775-01	1	2
BULKHEAD ASSEMBLY, KA640 CONSOLE	70-25775-01	2	N/A
Bushing, Mylar	12-20575-01	2	12
Cable Assembly, 14 Conductor Flat	17-02130-01	2	4
Cable Assembly, LAN Connector 10 Foot	17-00811-02	1	Not Shown
Carrier, Label	74-34429-01	2	15
CHASSIS ASSEMBLY, BA214 100-120V	70-24536-03	1	1
CHASSIS ASSEMBLY, BA214 220-240V	70-24536-04	1	1
Connector, Adaptor	12-23599-01	1	Not Shown
Cord, Power 3-18 SJT Terminated 125V	17-00083-11	1	6
Decoupler, Coaxial	12-30222-01	2	6
HARDWARE, BA213 WALLMOUNT	70-24263-01	1	Not Shown
HARDWARE, BA214 RACKMOUNT	70-24263-03	1	Not Shown
Insulator, Shield	74-37167-01	2	9
KIT, BA213 LARGE S-BOX WALLMOUNT	BA213-WA	1	Not Shown
KIT, BA214 HALF S-BOX RACKMOUNT	BA214-RA	1	Not Shown
KIT, BIZ ACCESSORIES (w/o Skins)	70-24316-01	1	Not Shown
Label, "BA214 Product I.D."	36-28129-05	1	7
Label, "BA2XX Rev"	36-29163-07	1	9
Label, "Baud Select"	36-26584-01	2	Not Shown
Label, "Debet Ethernet Address"	36-25542-02	2	11
Label, "Direct Thermal"	36-28231-08	2	Not Shown
Label, "Module Number, M7624-DA, KA640-BA"	36-26883-98	1	8
Label, "Pedestal BA214 Made in UK"	36-28128-16	1	Not Shown
Label, "Pedestal BA214 Made in UK"	36-28128-04	1	Not Shown
Label, "Pedestal BA214 Made in USA"	36-28128-01	1	Not Shown
Label, "Pedestal BA214 Made in USA"	36-28128-15	1	Not Shown
Label, "S-Box"	36-27923-01	1	Not Shown
Label, "Warning, Equip. Rating 100-120V"	36-17905-16	1	Not Shown
Label, "Warning, Equip. Rating 220-240V"	36-17905-17	1	Not Shown
Latch Assembly, Slide w/Hardware (Posts, Washer, Lock Washer & Hex Nut)	12-18489-01	2	3
Module, Mayfair II CPU	M7624-DA	1	3
Module, SLU/DESTA H3602 Console	54-17381-01	2	2
Nut, Hex No. 1/2-28 Brass/Nickel	90-10563-01	2	14

640QT rVAX SORT BY DEC PART DESCRIPTION

DESCRIPTION	DEC PART NO.	FIG. NO.	ITEM
Panel Assembly, Gap Filler	70-24071-01	1	5
Panel, Front	74-35429-01	1	Not Shown
Panel, Support	74-35429-01	1	Not Shown
Retainer, U-Nut No. 10-32	90-07786-00	1	Not Shown
Screw, Sems Phi Pan Hd No. 10-32 x 3/8	90-09228-10	1	Not Shown
Screw, Sems Phi Pan Hd No. 10-32 x 3/8	90-09228-10	1	Not Shown
Screw, Sems Phi Pan Hd No. 6-32 x 5/16	90-09701-00	2	10
Screw, Sems Phi Truss Hd No. 10-32 x 1/2	90-09700-00	1	Not Shown
Screwdriver, Flat Blade	47-00042-01	1	Not Shown
Spacer, Rack Mount	74-35729-01	1	Not
ShownTape, Foam	90-08228-00	2	5
Tape, Velcro	12-26595-02	2	8
Washer, BNC Internal Tooth Lock No. 1/2	90-00037-05	2	13