

ILLUSTRATED PARTS BREAKDOWN

BA23-A UNIT ASSEMBLY

HOW TO USE THE IPB

GENERAL

This IPB is compiled following the organization and nomenclature of the engineering drawing structure.

MAJOR ASSEMBLY LOCATOR

The Major Assembly Locator (first illustration) is an index that provides a description and a figure reference for all illustrations used in this manual.

INDENTED PARTS LIST

This manual identifies each assembly being broken down (figure reference, callout) and all parts of that assembly. Further breakdown of an assembly is shown by an asterisk (*) preceding the item callouts in the Description Column. The number of asterisks preceding an item is used to denote the subordination of that item with respect to the Major Assembly. A single asterisk preceding an item description indicates that the item is part of the major assembly being illustrated. Items that are subordinate to single asterisks items, are denoted by two asterisks (**), and immediately follow the related single asterisk item. Additional asterisks are used as required to denote further subordination. This system of part identification provides a means for the user to identify the next higher assembly item and make alternate selections for parts when the required replacement part or assembly is not immediately available.

COLUMN CALLOUT DESCRIPTIONS

Figure & Item - Indicates the figure number and item number of each part.

Description - Lists the name of the part and pertinent specifications (when required). Asterisks preceding the description denote the subordination of the part to the next higher assembly.

DEC Part No. - Lists the DEC part ordering number. A blank in this column indicates a DEC part number was not assigned at the time of publication.

ECO Cut In - The notation at the top of this column indicates the ECO level of the system (option) at which the IPB was initially prepared. Subsequent ECO level designations that modify existing parts or add new parts to the device are inserted in the ECO Cut In column next to the part that is added or modified. A bracket ([]) preceding the item description is used to indicate the parts affected by ECO's.

Vendor Code/Part No. - Indicates vendor parts that are not stocked by DEC. Refer to the Field Service Spares Catalog (vendor part number to DEC part number) for the vendor code cross reference.

Used On Code - Letters in this column correspond to the variation codes assigned in Figure 1. Parts with an Alpha notation are used only in those option variations. A blank indicates that the part is used on all option variations.

Ref. Fig. No. - A cross reference between illustrations. For each Major Assembly, the number in this column denotes the figure of the next higher assembly. For all subassemblies, the number in this column denotes the figure showing additional detailed breakdown.

SYMBOL USAGE

Hardware Designators - Alpha designators for screws (S), washers (W), nuts (N), and retaining rings (R) are inserted after the item number callouts on the illustration when stacked item numbers are used.

Attaching Hardware - The A symbol is inserted before any part that is used as attaching hardware. Attaching hardware is denoted as those parts that are not an integral part of the referenced assembly.

(NFR) Not Field Repairable - The (NFR) symbol is inserted after any assembly that is not to be field dismantled.

Other Symbols - Any other symbols that are required for kits, accessories, etc., will be explained and appear as part of the item description.

REVISION HISTORY

OTHER IPB MANUALS REQUIRED TO SUPPORT THIS OPTION

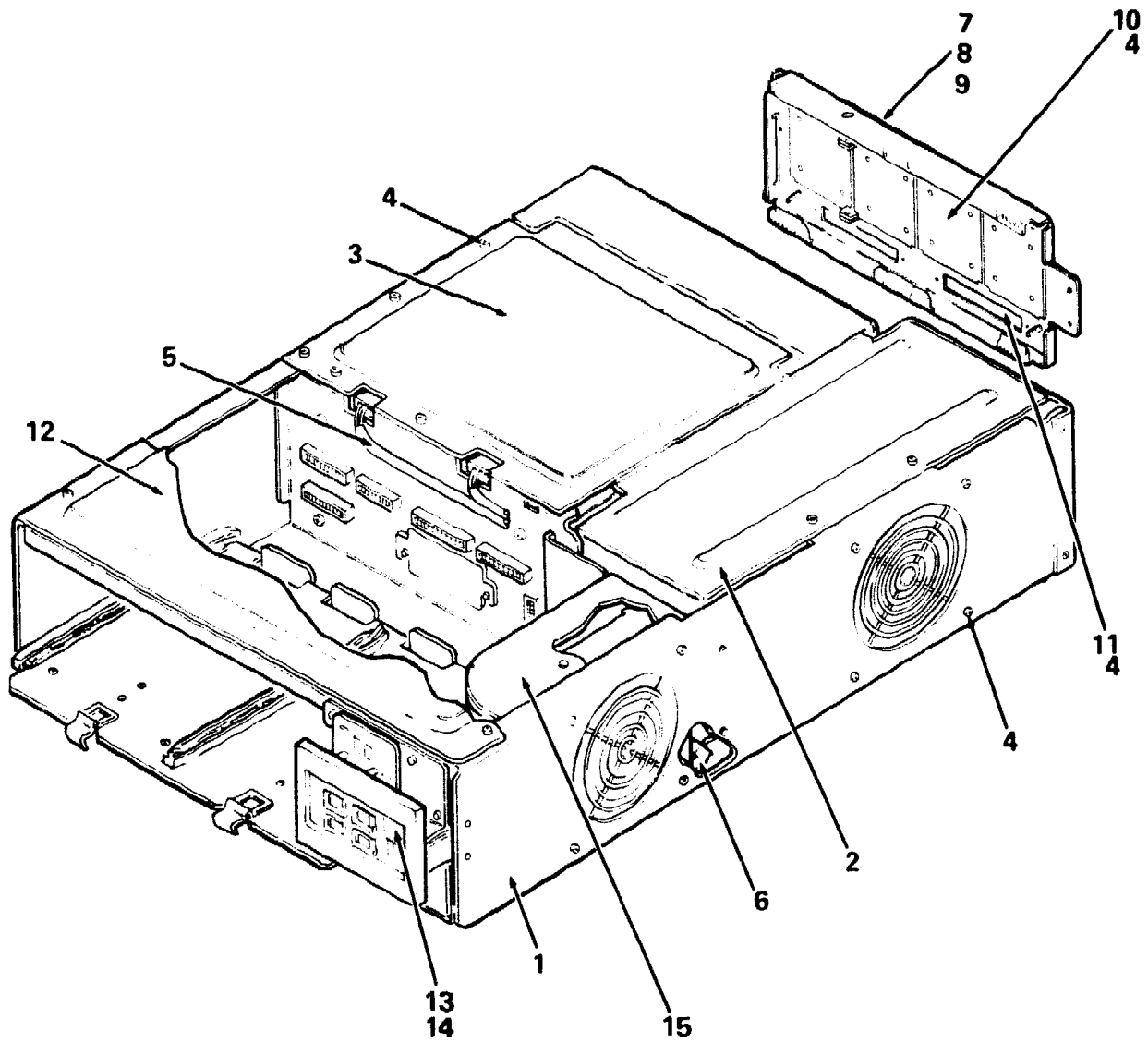
PRINTING	ECO LEVEL		DATE	OTHER IPB MANUALS REQUIRED TO SUPPORT THIS OPTION
1st Printing	BA23-A	00002-00002	9/3/85	N/A
	70-19985	00006-00006		
	70-20695	00002-00002		
	70-19986	00001-00001		
	70-20435	00002-00002		
	70-20449	00001-00001		
	70-19979	00002-00002		
	70-20434	00002-00002		

Copyright © 1985 by Digital Equipment Corporation. All rights reserved.

DEC reserves the right, without notice, to make substitutions and modifications in the specifications of products documented in this manual and further reserves the right to withdraw any of these products from the market without notice.

DEC is not responsible for errors which may appear in the technical description (including illustrations and photographs) of the products covered by this manual.

None of the descriptions contained in this manual imply the granting of any license whatsoever to make, use or sell equipment constructed in accordance therewith.



BA23-A-01

Figure 1. BA23-A Unit Assembly

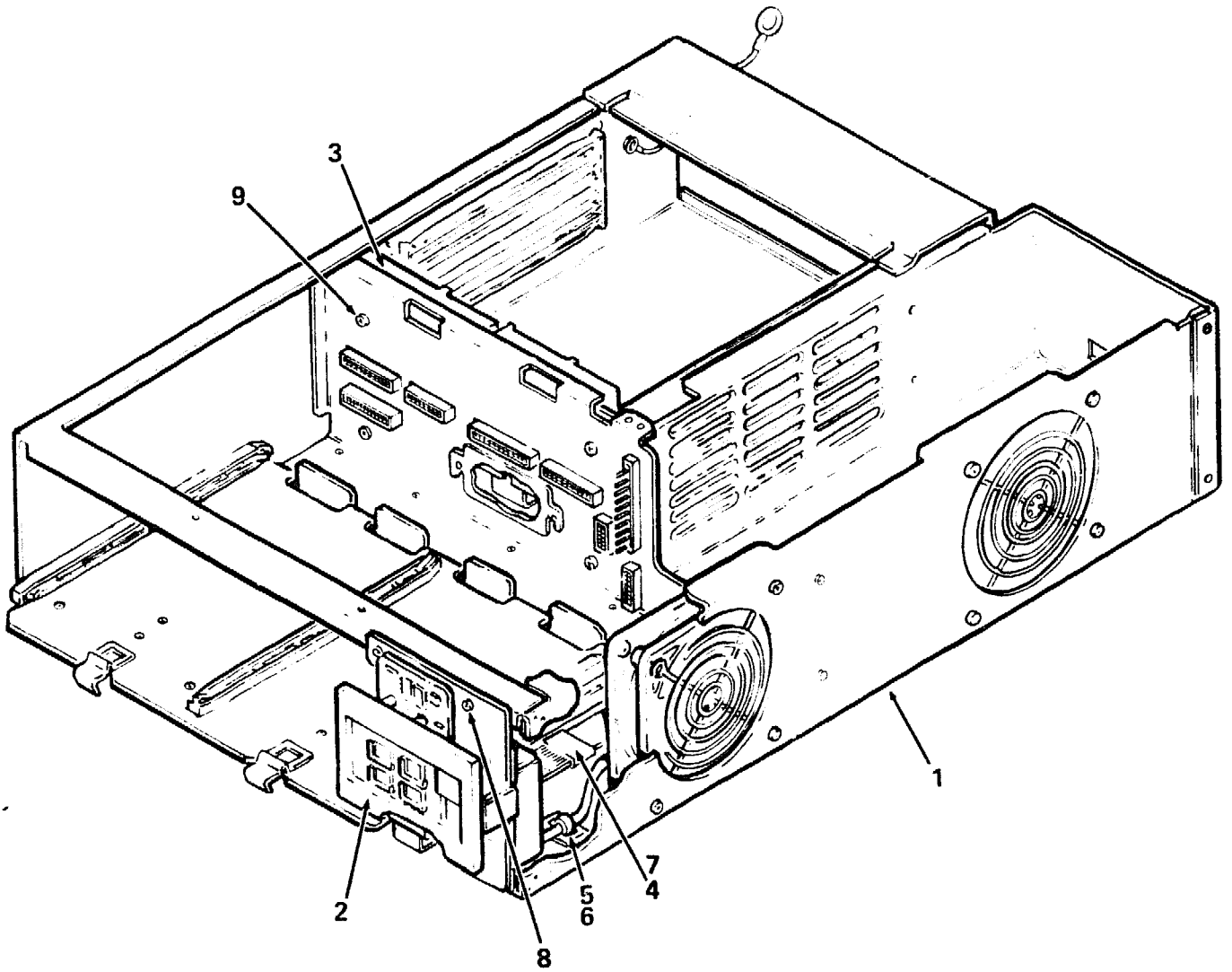
1

1



IPB-BA23-A

FIG. & ITEM NO.	DESCRIPTION	DEC PART NO.	ECO CUT-IN BA23-A 00002	USED ON CODE	REF FIG NO.
1-	BA23-A UNIT ASSEMBLY	BA23-A			
1	*CHASSIS ASSEMBLY	70-19985-00			2
2	*Power Supply (30-21749-00)	H7864-A			
3	*Cover, Logic	74-27751-01			
4	*Screw, Sems Phi Pan Hd No. 6-32 x 7/32	90-00049-01			
5	*D.C. POWER DRIVE CABLE ASSEMBLY	70-20435-1K			6
6	*FAN CABLE ASSEMBLY	70-20449-0D			7
7	*PATCH PANEL ASSEMBLY	70-19979-00			8
8	*Washer, Flat No. 6	90-06659-00			
9	*Nut, Kep, No. 6	90-09991-00			
10	*Plate, Cover	74-27574-01			
11	*Plate, Blank Connector	74-28683-01			
12	*Cover, RX/RD	74-27564-01			
13	*Spring, Compression	12-20113-01			
14	*Medallion, MIC PDP11	74-28502-01			
15	*Baffle Assembly	70-21506-01			
	Labels (Not Shown)				
	*Label "Serial & Power, Universal"	36-17674-15			
	*Label "Equipment Set at 110-120V"	36-17905-17			
	*Label "FCC, Class A Processor"	36-17880-02			
	*Label "Control Panel, MICRO PDP-11"	36-21549-02			
	Cable and Power Cord (Not Shown)				
	*Backplane D.C. Power Cable Assembly	70-20450-01			
	*Power Cord (125V)	17-00083-09			



BA23-A-02

Figure 2. Chassis Assembly

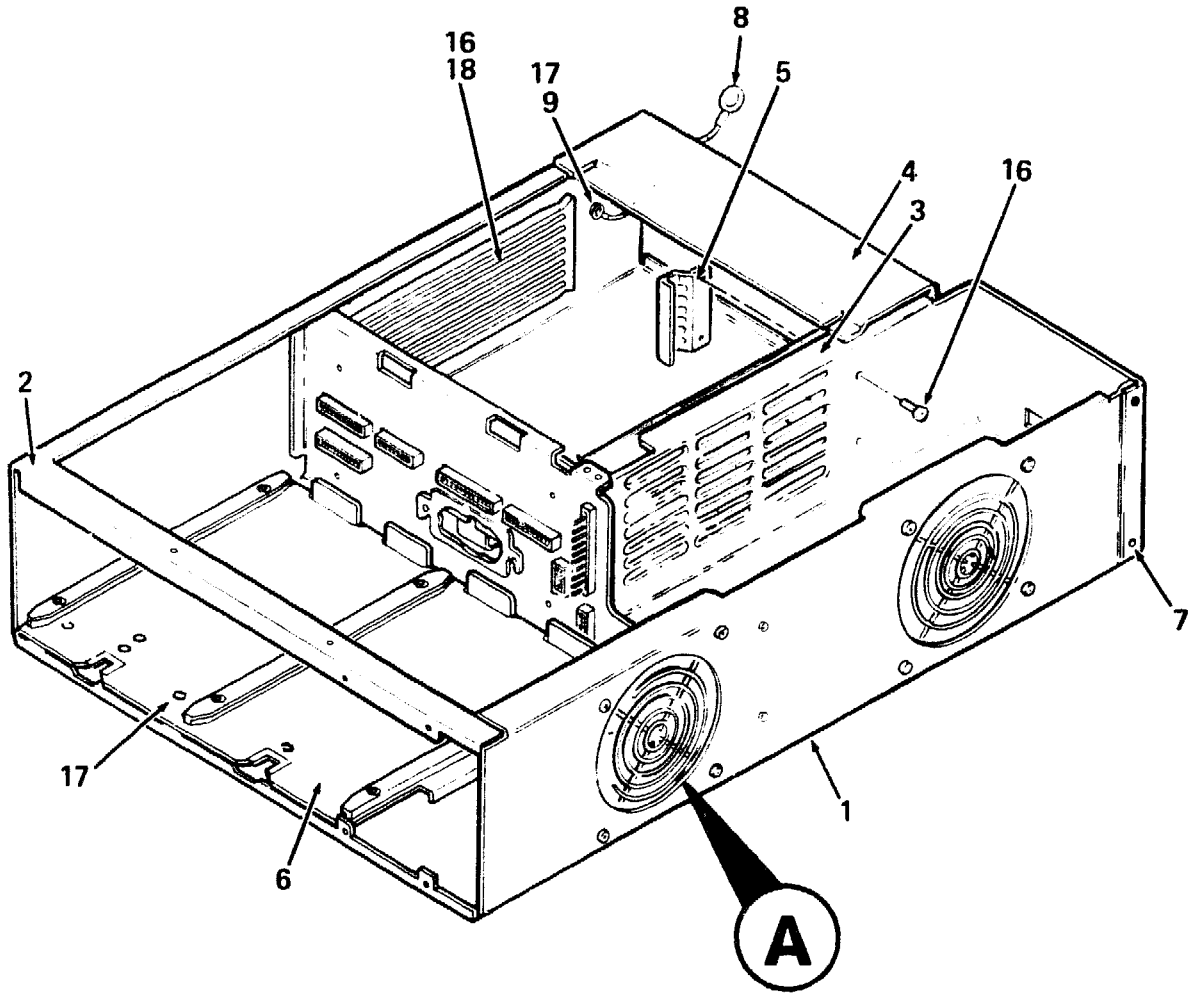
1

3



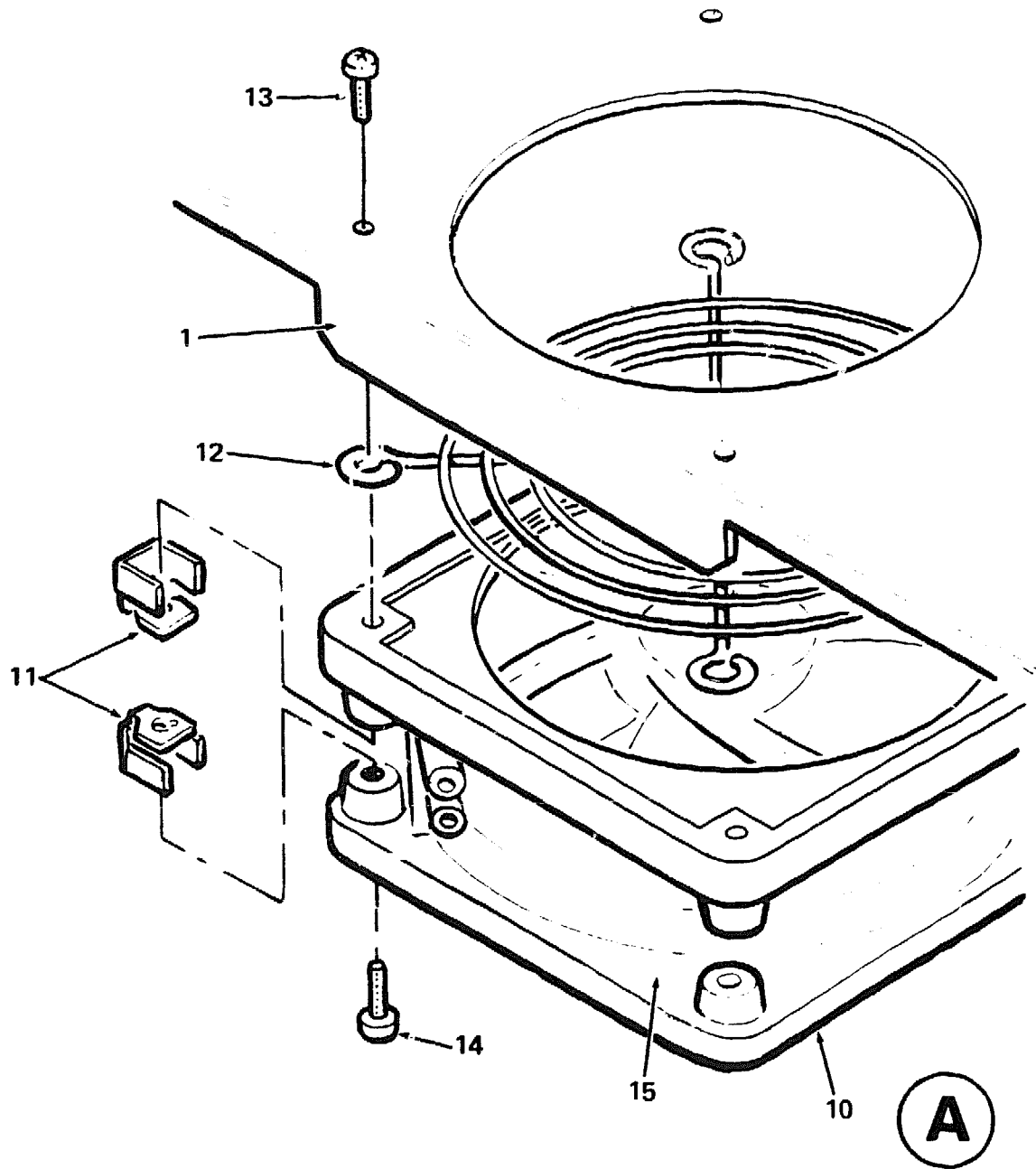
IPB-BA23-A

FIG. & ITEM NO.	DESCRIPTION	DEC PART NO.	ECO CUT-IN 70-19985 00006	USED ON CODE	REF FIG NO.
2-	CHASSIS ASSEMBLY	70-19985-00			1
1	*CHASSIS ASSEMBLY	70-19985-01			3
2	*CONTROL PANEL PLATE ASSEMBLY	70-20695-01			4
3	*BACKPLANE DISTRIBUTION ASSEMBLY	70-19986-00			5
4	*Clamp, Cable	90-09636-00			
5	*Mount, Cable Tie	90-08264-00			
6	*Cable Tie	90-07031-00			
7	*Front Panel to Back Plane Cable Assembly	70-20451-1C			
8	*Screw, Sems, Phl Hd No. 8-32 x 5/16	90-10174-01			
9	*Screw, Sems, Phl Pan Hd No. 6-32 x 1/4	90-10174-00			
	Label (Not Shown)				
	*Label, "P/N, Rev, Mfg"	90-09255-00			



BA23-A-03

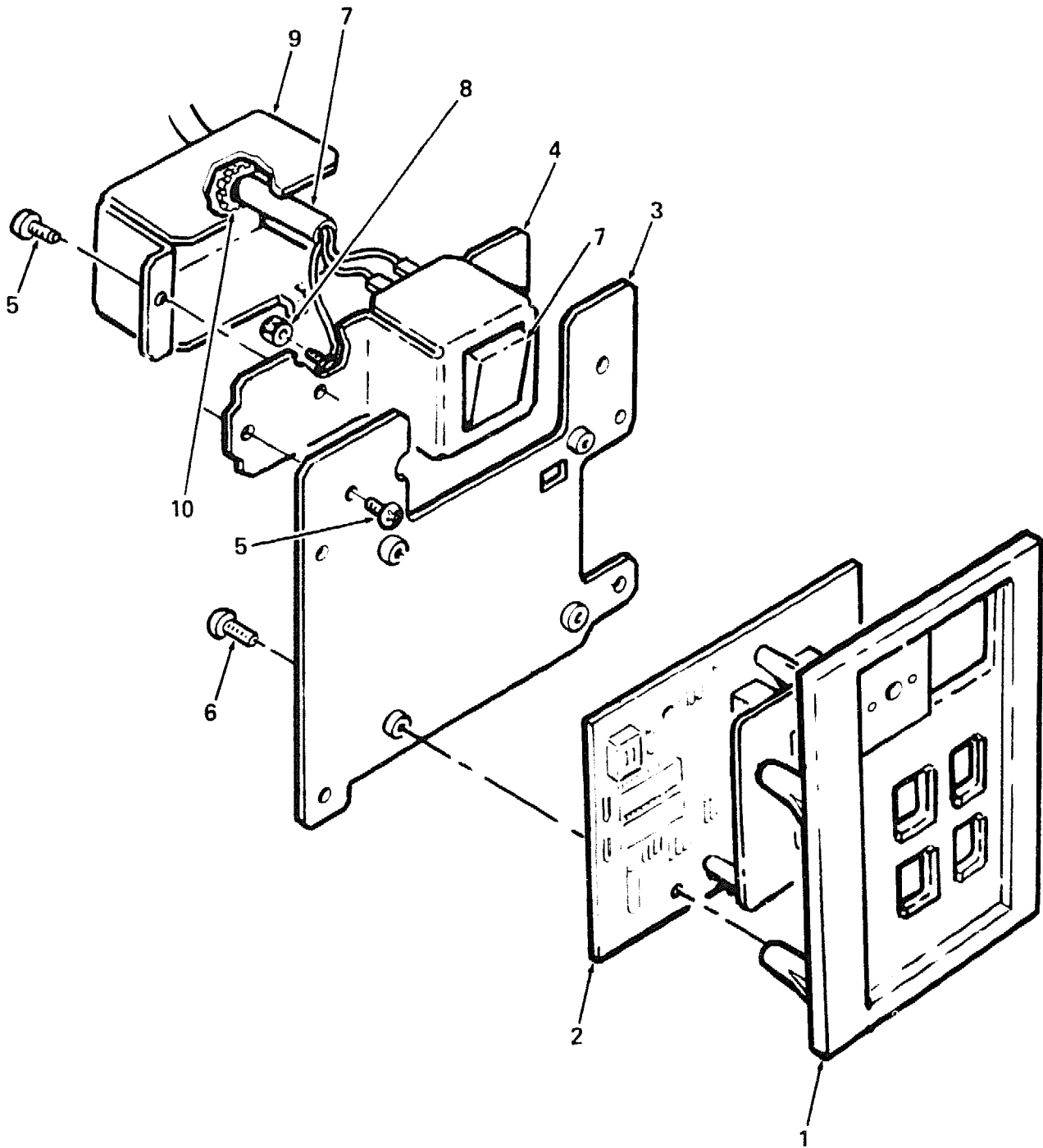
Figure 3. Chassis Assembly (Sheet 1 of 2)



BA23-A-03A

Figure 3. Chassis Assembly (Sheet 2 of 2)

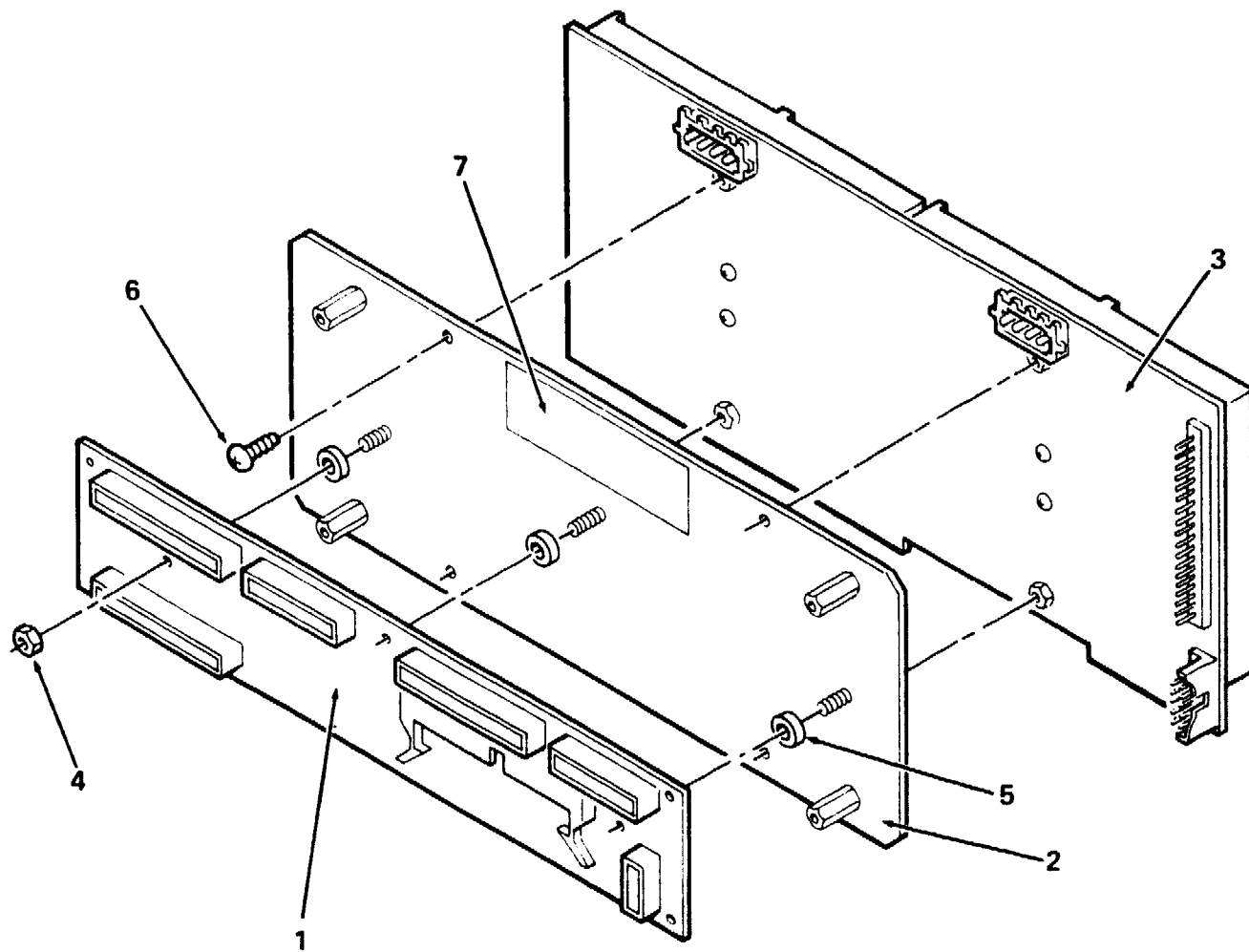
FIG. & ITEM NO.	DESCRIPTION	DEC PART NO.	ECO CUT-IN 70-19985 00006	USED ON CODE	REF FIG NO.
3-	CHASSIS ASSEMBLY	70-19985-01			2
1	*Chassis	74-27541-01			
2	*Support, Chassis Front	74-27552-01			
3	*Partition	74-27553-01			
4	*Cover, Fixed Logic	74-27545-01			
5	*Plate, Ejector	74-27542-01			
6	*RX/RD Support Assembly	70-20269-00			
7	*Rivet, Blind Dome	90-09054-00			
8	*Nylon Cable Assembly	12-12907-01			
9	*Washer, Flat No. 6	90-06659-00			
10	*Cooling Fan Assembly	12-22271-01			
11	*Clip, Fan Mounting	90-09165-00			
12	*Guard, Finger	12-10263-01			
13	*Screw, Phi Pan Hd No. 6-32 x 3/4	90-06026-02			
14	*Screw, Phi Pan Hd No. 6-32 x 5/8	90-06025-01			
15	*Bracket, Fan Baffle	74-29789-01			
16	*Screw, Self Tap, Phi Flat Hd No. 6-19 x 19/64	12-21007-01			
17	*Rivet, Blind	90-08521-00			
18	*Guide, Card	74-27555-01			
Tape (Not Shown)					
*Tape, Teflon		12-13823-00			



BA23-A-04

Figure 4. Control Panel Plate Assembly

FIG. & ITEM NO.	DESCRIPTION	DEC PART NO.	ECO CUT-IN 70-20695 00002	USED ON CODE	REF FIG NO.
4-	CONTROL PANEL PLATE ASSEMBLY	70-20695-01			2
1	*Panel, Control	74-27556-01			
2	*Front Panel Module	54-15610-00			
3	*Plate, Control Panel	74-28657-01			
4	*Bracket, A.C. Switch	74-27565-01			
5	*Screw, Sems Phi Pan Hd No. 6-32 x 5/16	90-10155-00			
6	*Screw, Self Tap, Phi Pan Hd No. 6 x 1/2	90-09800-00			
7	*A.C. ON/OFF POWER CABLE ASSEMBLY	70-20434-01			9
8	*Nut, Kep No. 10-32	90-06565-00			
9	*Shield, A.C. Bracket	74-28424-01			
10	*Grommet, Caterpillar	90-07035-00			
	Label (Not Shown)				
	*Label, "P/N, REV, MFG"	90-09255-04			

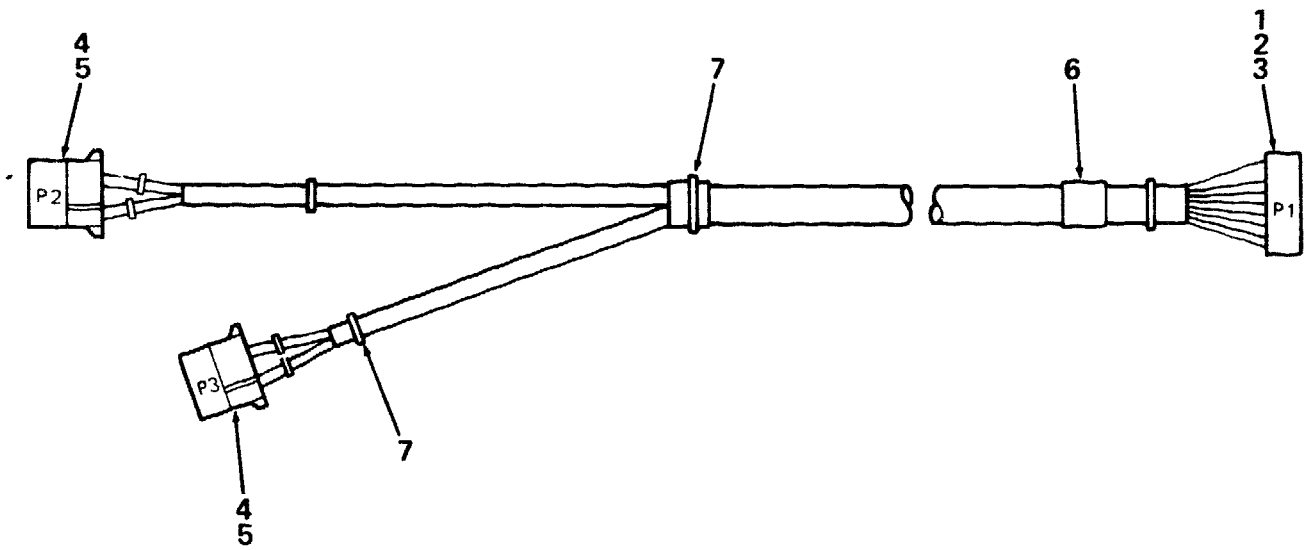


BA23-A-05

Figure 5. Backplane Distribution Assembly

FIG. & ITEM NO.	DESCRIPTION	DEC PART NO.	ECO CUT-IN 70-19986 00001	USED ON CODE	REF FIG NO.
5-	BACKPLANE DISTRIBUTION ASSEMBLY	70-19986-00			2
1	*Panel, BA23 Signal Distribution	54-15633-00			
2	*Bracket, Distribution	74-27551-01			
3	*Backplane, Q22 Bus (8 Quad Slots)	H9278-A			
4	*Nut, Ela-Stop, No. 6-32 x 5/16	90-08055-00			
5	*Spacer, Nonmetallic, No. 8	90-09672-01			
6	*Screw, Sems Phi Pan Hd No. 8-32 x 1/4	90-09545-00			
7	*Label, "P/N, REV, MFR"	90-09255-04			

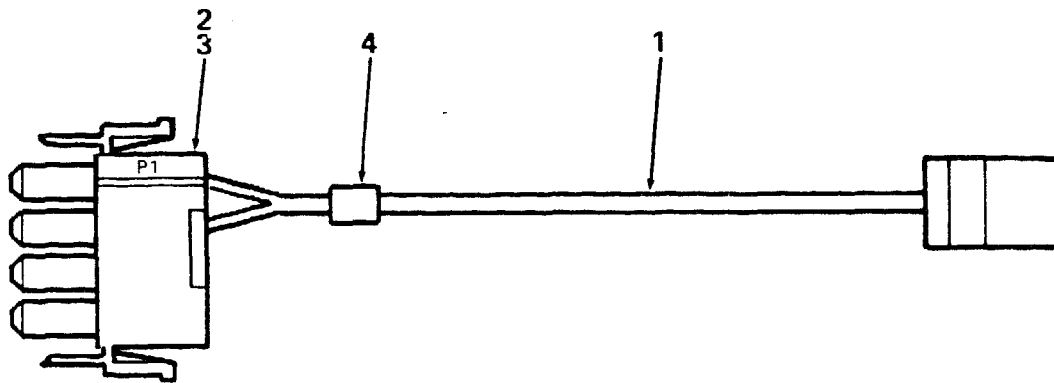
FIG. & ITEM NO.	DESCRIPTION	DEC PART NO.	ECO CUT-IN 70-20435 00002	USED ON CODE	REF FIG NO.
6-	D.C. POWER DRIVE CABLE ASSEMBLY	70-20435-1K			1
1	*Connector, (P1) 9-Pin Housing	12-16651-14			
2	*Connector, (P1) Housing Cover	12-16650-02			
3	*Plug, Keying (P1)	12-15588-00			
4	*Connector, (P2, P3) 4-Pin Housing Mate-N-Lok	12-10821-04			
5	*Terminal, (P2, P3) Socket Contact	12-09379-00			
6	*Label, "Power Supply"	90-09255-01			
7	*Cable Tie (Bundle)	90-07031-00			



MICRO/PDP11-11

Figure 6. D.C. Power Drive Cable Assembly

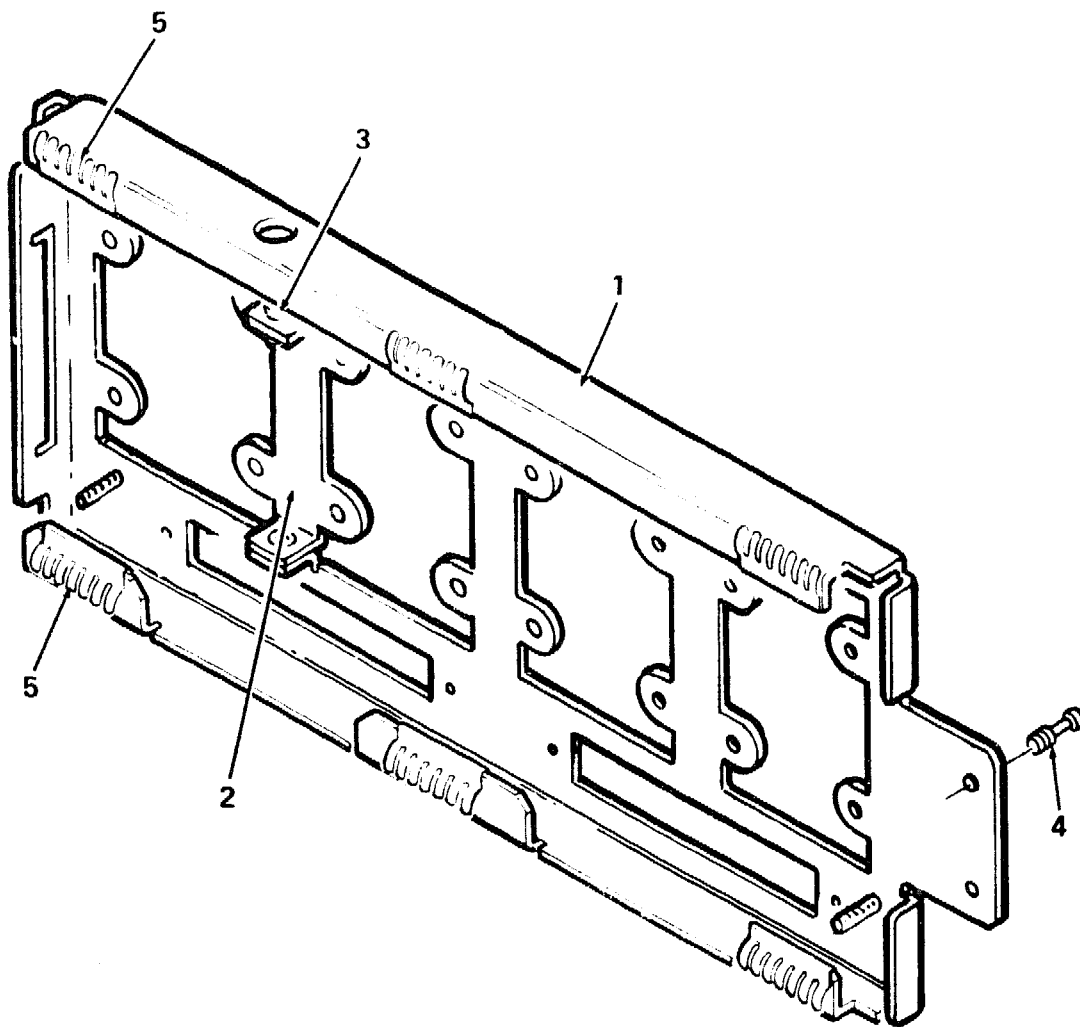
FIG. & ITEM NO.	DESCRIPTION	DEC PART NO.	ECO CUT-IN 70-20449 00001	USED ON CODE	REF FIG NO.
7-	FAN CABLE ASSEMBLY	70-20449-0D			1
1	* Fan Cable	12-10283-00			
2	* Connector, (P1) Universal Socket Housing, 4-Pin Mate-N-Lok	12-12167-01			
3	* Terminal, (P1) Universal Socket Contact	12-12169-00			
4	* Label, "Power Supply"	90-09255-01			



MICRO/PDP11-10

Figure 7. Fan Cable Assembly

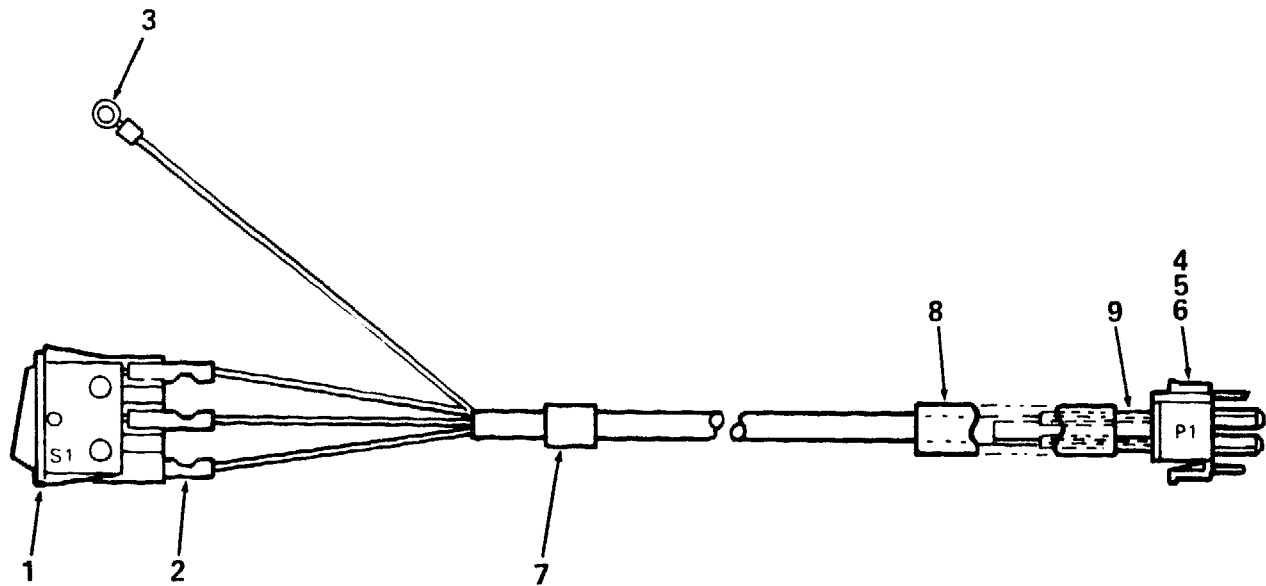
FIG. & ITEM NO.	DESCRIPTION	DEC PART NO.	ECO CUT-IN 70-19979 00002	USED ON CODE	REF FIG NO.
8--	PATCH PANEL ASSEMBLY	70-19979-00			1
1	*Bracket, Patch Panel	74-27547-01			
2	*Adapter, Patch Panel Bracket	74-27546-01			
3	*Screw, Sems Phl Pan Hd No. 6-32 x 1/4	90-10174-00			
4	*Screw, Slotted Captive Hd No. 6-32 x 11/32	90-10470-02			
5	*Shielding, Clip-On	12-22380-02			



MICRO/PDP11-05

Figure 8. Patch Panel Assembly

FIG. & ITEM NO.	DESCRIPTION	DEC PART NO.	ECO CUT-IN 70-20434 00002	USED ON CODE	REF FIG NO.
9-	A.C. ON/OFF POWER CABLE ASSEMBLY	70-20434-01			4
1	*Switch, (S1) Rocker (DPST)	12-21262-01			
2	*Terminal, Quick Disconnect	12-17000-02			
3	*Terminal, Ring	90-07930-00			
4	*Connector, (P1) Socket 6-Pin Mate-N-Lok	12-12167-06			
5	*Terminal, (P1) Pin	12-17519-00			
6	*Terminal, (P1) Pin	12-12169-00			
7	*Label, "Power Supply"	90-09255-01			
8	*Tubing, Shrink (3/16 in. I.D.)	91-07685-09			
9	*Tubing, Shrink (1/2 in. I.D.)	91-07254-09			



MICRO/PDP11-09

Figure 9. A.C. ON/OFF Power Cable Assembly

PART NUMBER/DESCRIPTION SORT



BA23-A UNIT ASSEMBLY SORTED BY PART NUMBER

PART NO.	DESCRIPTION	FIG. NO.	ITEM
12-09379-00	Terminal, (P2, P3) Socket Contact	6	5
12-10263-01	Guard, Finger	3	12
12-10283-00	Fan Cable	7	1
12-10821-04	Connector, (P2, P3) 4-Pin Housing Mate-N-Lok	6	4
12-12167-01	Connector, (P1) Universal Socket Housing, 4-Pin Mate-N-Lok	7	2
12-12167-06	Connector, (P1) Socket 6-Pin Mate-N-Lok	9	4
12-12169-00	Terminal, (P1) Universal Socket Contact	7	3
12-12169-00	Terminal, (P1) Pin	9	6
12-12907-01	Nylon Cable Assembly	3	8
12-13823-00	Tape, Teflon	3	Not Shown
12-15588-00	Plug, Keying (P1)	6	3
12-16650-02	Connector, (P1) Housing Cover	6	2
12-16651-14	Connector, (P1) 9-Pin Housing	6	1
12-17000-02	Terminal, Quick Disconnect	9	2
12-17519-00	Terminal, (P1) Pin	9	5
12-20113-01	Spring, Compression	1	13
12-21007-01	Screw, Self Tap, Phl Flat Hd No. 6-19 x 19/64	3	16
12-21262-01	Switch, (S1) Rocket (DPST)	9	1
12-22271-01	Cooling Fan Assembly	3	10
12-22380-02	Shielding, Clip-On	8	5
17-00083-09	Power Cord, Terminated 125V	1	Not Shown
36-17674-15	Label "Serial & Power, Universal"	1	Not Shown
36-17880-02	Label "FCC, Class A Processor"	1	Not Shown
36-17905-17	Label "Equipment Set at 110-120V"	1	Not Shown
36-21549-02	Label "Control Panel, MICRO PDP-11"	1	Not Shown
54-15610-00	Front Panel Module	4	2
-54-15633-00	Panel, BA23 Signal Distribution	5	1
70-19979-00	PATCH PANEL ASSEMBLY	1	7
70-19979-00	PATCH PANEL ASSEMBLY	8	0
70-19985-00	CHASSIS ASSEMBLY	1	1
70-19985-00	CHASSIS ASSEMBLY	2	0
70-19985-01	CHASSIS ASSEMBLY	3	0
70-19985-01	CHASSIS ASSEMBLY	2	1
70-19986-00	BACKPLANE DISTRIBUTION ASSEMBLY	5	0
70-19986-00	BACKPLANE DISTRIBUTION ASSEMBLY	2	3
70-20269-00	RX/RD Support Assembly	3	6
70-20434-01	A.C. ON/OFF POWER CABLE ASSEMBLY	9	0
70-20434-01	A.C. ON/OFF POWER CABLE ASSEMBLY	4	7
70-20435-1K	D.C. POWER DRIVE CABLE ASSEMBLY	6	0
70-20435-1K	D.C. POWER DRIVE CABLE ASSEMBLY	1	5
70-20449-0D	FAN CABLE ASSEMBLY	1	6
70-20449-0D	FAN CABLE ASSEMBLY	7	0
70-20450-01	Backplane D.C. Power Cable Assembly	1	Not Shown
70-20451-1C	Front Panel to Back Plane Cable Assembly	2	7
70-20695-01	CONTROL PANEL PLATE ASSEMBLY	4	0
70-20695-01	CONTROL PANEL PLATE ASSEMBLY	2	2
70-21506-01	Baffle Assembly	1	15

BA23-A UNIT ASSEMBLY SORTED BY PART NUMBER

PART NO.	DESCRIPTION	FIG. NO.	ITEM
74-27541-01	Chassis	3	1
74-27542-01	Plate, Ejector	3	5
74-27545-01	Cover, Fixed Logic	3	4
74-27546-01	Adapter, Patch Panel Bracket	8	2
74-27547-01	Bracket, Patch Panel	8	1
74-27551-01	Bracket, Distribution	5	2
74-27552-01	Support, Chassis Front	3	2
74-27553-01	Partition	3	3
74-27555-01	Guide, Card	3	18
74-27556-01	Panel, Control	4	1
74-27564-01	Cover, RX/RD	1	12
74-27565-01	Bracket, A.C. Switch	4	4
74-27574-01	Plate, Cover	1	10
74-27751-01	Cover, Logic	1	3
74-28424-01	Shield, A.C. Bracket	4	9
74-28502-01	Medallion, MICRO/PDP11	1	14
74-28657-01	Plate, Control Panel	4	3
74-28683-01	Plate, Blank Connector	1	11
74-29789-01	Bracket, Fan Baffle	3	15
90-00049-01	Screw, Sems Phl Pan Hd No. 6-32 x 7/32	1	4
90-06025-01	Screw, Phl Pan Hd No. 6-32 x 5/8	3	14
90-06026-02	Screw, Phl Pan Hd No. 6-32 x 3/4	3	13
90-06565-00	Nut, Kep No. 10-32	4	8
90-06659-00	Washer, Flat No. 6	3	9
90-06659-00	Washer, Flat No. 6	1	8
90-07031-00	Cable Tie	2	6
90-07031-00	Cable Tie (Bundle)	6	7
90-07035-00	Grommet, Caterpillar	4	10
90-07930-00	Terminal, Ring	9	3
90-08055-00	Nut, Ela-Stop, No. 6-32 x 5/16	5	4
90-08264-00	Mount, Cable Tie	2	5
90-08521-00	Rivet, Blind	3	17
90-09054-00	Rivet, Blind Dome	3	7
90-09165-00	Clip, Fan Mounting	3	11
90-09255-00	Label "P/N, Rev, Mfg"	2	Not Shown
90-09255-01	Label, "Power Supply"	6	6
90-09255-01	Label, "Power Supply"	7	4
90-09255-01	Label, "Power Supply"	9	7
90-09255-04	Label, "P/N, REV, MFR"	5	7
90-09255-04	Label, "P/N, REV, MFG"	4	Not Shown
90-09545-00	Screw, Sems Phl Pan Hd No. 8-32 x 1/4	5	6
90-09636-00	Clamp, Cable	2	4
90-09672-01	Spacer, Nonmetallic, No. 8	5	5
90-09800-00	Screw, Phl Pan Hd No. 6 x 1/2 (Tapping)	4	6
90-09991-00	Nut, Kep, No. 6	1	9
90-10155-00	Screw, Sems Phl Pan Hd No. 6-32 x 5/16	4	5
90-10174-00	Screw, Sems Phl Pan Hd No. 6-32 x 1/4	8	3
90-10174-00	Screw, Sems, Phl Pan Hd No. 6-32 x 1/4	2	9
90-10174-01	Screw, Sems, Phl Hd No. 8-32 x 5/16	2	8
90-10470-02	Screw, Slotted Captive Hd No. 6-32 x .33	8	4

BA23-A UNIT ASSEMBLY SORTED BY PART NUMBER

PART NO.	DESCRIPTION	FIG. NO.	ITEM
91-07254-09	Tubing, Shrink (1/2 in. I.D.)	9	9
91-07685-09	Tubing, Shrink (3/16 in. I.D.)	9	8
BA23-A	BA23-A UNIT ASSEMBLY	1	0
H7864-A	Power Supply (30-21749-00)	1	2
H9278-A	Backplane, Q22 Bus (8 Quad Slots)	5	3

BA23-A UNIT ASSEMBLY SORTED BY DESCRIPTION

DESCRIPTION	PART NO.	FIG. NO.	ITEM
A.C. ON/OFF POWER CABLE ASSEMBLY	70-20434-01	4	7
A.C. ON/OFF POWER CABLE ASSEMBLY	70-20434-01	9	0
Adapter, Patch Panel Bracket	74-27546-01	8	2
BA23-A UNIT ASSEMBLY	BA23-A	1	0
Backplane D.C. Power Cable Assembly	70-20450-01	1	Not Shown
BACKPLANE DISTRIBUTION ASSEMBLY	70-19986-00	5	0
BACKPLANE DISTRIBUTION ASSEMBLY	70-19986-00	2	3
Backplane, Q22 Bus (8 Quad Slots)	H9278-A	5	3
Baffle Assembly	70-21506-01	1	15
Bracket, A.C. Switch	74-27565-01	4	4
Bracket, Distribution	74-27551-01	5	2
Bracket, Fan Baffle	74-29789-01	3	15
Bracket, Patch Panel	74-27547-01	8	1
Cable Tie	90-07031-00	2	6
Cable Tie (Bundle)	90-07031-00	6	7
Chassis	74-27541-01	3	1
CHASSIS ASSEMBLY	70-19985-00	1	1
CHASSIS ASSEMBLY	70-19985-00	2	0
CHASSIS ASSEMBLY	70-19985-01	2	1
CHASSIS ASSEMBLY	70-19985-01	3	0
Clamp, Cable	90-09636-00	2	4
Clip, Fan Mounting	90-09165-00	3	11
Connector, (P1) 9-Pin Housing	12-16651-14	6	1
Connector, (P1) Housing Cover	12-16650-02	6	2
Connector, (P1) Socket 6-Pin Mate-N-Lok	12-12167-06	9	4
Connector, (P1) Universal Socket Housing, 4-Pin Mate-N-Lok	12-12167-01	7	2
Connector, (P2, P3) 4-Pin Housing Mate-N-Lok	12-10821-04	6	4
CONTROL PANEL PLATE ASSEMBLY	70-20695-01	2	2
CONTROL PANEL PLATE ASSEMBLY	70-20695-01	4	0
Cooling Fan Assembly	12-22271-01	3	10
Cover, Fixed Logic	74-27545-01	3	4
Cover, Logic	74-27751-01	1	3
Cover, RX/RD	74-27564-01	1	12
D.C. POWER DRIVE CABLE ASSEMBLY	70-20435-1K	1	5
D.C. POWER DRIVE CABLE ASSEMBLY	70-20435-1K	6	0
Fan Cable	12-10283-00	7	1
FAN CABLE ASSEMBLY	70-20449-0D	1	6
FAN CABLE ASSEMBLY	70-20449-0D	7	0
Front Panel Module	54-15610-00	4	2
Front Panel to Back Plane Cable Assembly	70-20451-1C	2	7
Grommet, Caterpillar	90-07035-00	4	10
Guard, Finger	12-10263-01	3	12
Guide, Card	74-27555-01	3	18
Label "Control Panel, MICRO PDP-11"	36-21549-02	1	Not Shown
Label "Equipment Set at 110-120V"	36-17905-17	1	Not Shown
Label "FCC, Class A Processor"	36-17880-02	1	Not Shown

BA23-A UNIT ASSEMBLY SORTED BY DESCRIPTION

DESCRIPTION	PART NO.	FIG. NO.	ITEM
Label "P/N, Rev, Mfg"	90-09255-00	2	Not Shown
Label "Serial & Power, Universal"	36-17674-15	1	Not Shown
Label, "P/N, REV, MFG"	90-09255-04	4	Not Shown
Label, "P/N, REV, MFR"	90-09255-04	5	7
Label, "Power Supply"	90-09255-01	7	4
Label, "Power Supply"	90-09255-01	6	5
Label, "Power Supply"	90-09255-01	9	7
Medallion, MICRO/PDP11	74-28502-01	1	14
Mount, Cable Tie	90-08264-00	2	5
Nut, Ela-Stop, No. 6-32 x 5/16	90-08055-00	5	4
Nut, Kep No. 10-32	90-06565-00	4	8
Nut, Kep, No. 6	90-09991-00	1	9
Nylon Cable Assembly	12-12907-01	3	8
Panel, BA23 Signal Distribution	54-15633-00	5	1
Panel, Control	74-27556-01	4	1
Partition	74-27553-01	3	3
PATCH PANEL ASSEMBLY	70-19979-00	8	0
PATCH PANEL ASSEMBLY	70-19979-00	1	7
Plate, Blank Connector	74-28683-01	1	11
Plate, Control Panel	74-28657-01	4	3
Plate, Cover	74-27574-01	1	10
Plate, Ejector	74-27542-01	3	5
Plug, Keying (P1)	12-15588-00	6	3
Power Cord, Terminated 125V	17-00083-09	1	Not Shown
Power Supply (30-21749-00)	H7864-A	1	2
Rivet, Blind	90-08521-00	3	17
Rivet, Blind Dome	90-09054-00	3	7
RX/RD Support Assembly	70-20269-00	3	6
Screw, Phl Pan Hd No. 6 x 1/2 (Tapping)	90-09800-00	4	6
Screw, Phl Pan Hd No. 6-32 x 3/4	90-06026-02	3	13
Screw, Phl Pan Hd No. 6-32 x 5/8	90-06025-01	3	14
Screw, Self Tap, Phl Flat Hd No. 6-19 x 19/64	12-21007-01	3	16
Screw, Sems Phl Pan Hd No. 6-32 x 1/4	90-10174-00	8	3
Screw, Sems Phl Pan Hd No. 6-32 x 5/16	90-10155-00	4	5
Screw, Sems Phl Pan Hd No. 6-32 x 7/32	90-00049-01	1	4
Screw, Sems Phl Pan Hd No. 8-32 x 1/4	90-09545-00	5	6
Screw, Sems, Phl Hd No. 8-32 x 5/16	90-10174-01	2	8
Screw, Sems, Phl Pan Hd No. 6-32 x 1/4	90-10174-00	2	9
Screw, Slotted Captive Hd No. 6-32 x .33	90-10470-02	8	4
Shield, A.C. Bracket	74-28424-01	4	9
Shielding, Clip-On	12-22380-02	8	5
Spacer, Nonmetallic, No. 8	90-09672-01	5	5
Spring, Compression	12-20113-01	1	13
Support, Chassis Front	74-27552-01	3	2
Switch, (S1) Rocket (DPST)	12-21262-01	9	1

BA23-A UNIT ASSEMBLY SORTED BY DESCRIPTION

DESCRIPTION	PART NO.	FIG. NO.	ITEM
Tape, Teflon	12-13823-00	3	Not Shown
Terminal, (P1) Pin	12-17519-00	9	5
Terminal, (P1) Pin	12-12169-00	9	6
Terminal, (P1) Universal Socket Contact	12-12169-00	7	3
Terminal, (P2, P3) Socket Contact	12-09379-00	6	5
Terminal, Quick Disconnect	12-17000-02	9	2
Terminal, Ring	90-07930-00	9	3
Tubing, Shrink (1/2 in. I.D.)	91-07254-09	9	9
Tubing, Shrink (3/16 in. I.D.)	91-07685-09	9	8
Washer, Flat No. 6	90-06659-00	3	9
Washer, Flat No. 6	90-06659-00	1	8