



# ILLUSTRATED PARTS BREAKDOWN

# applicationDEC 433MP

## HOW TO USE THE IPB

### GENERAL

This IPB is compiled following the organization and nomenclature of the engineering drawing structure.

### MAJOR ASSEMBLY LOCATOR (When Applicable)

The Major Assembly Locator (first illustration) is an index that provides a description and a figure reference for all illustrations used in this manual.

### INDENTED PARTS LIST

This manual identifies each assembly being broken down (figure reference callout), and all parts of that assembly. Further breakdown of an assembly is shown by an asterisk (\*) preceding the item callouts in the Description Column. The number of asterisks preceding an item is used to denote the subordination of that item with respect to the Major Assembly. A single asterisk preceding an item description indicates that the item is part of the major assembly being illustrated. Items that are subordinate to single asterisks items, are denoted by two asterisks (\*\*) and immediately follow the related single asterisk item. This system of part identification provides a means for the user to identify the next higher assembly item and make alternate selections for parts when the required replacement part of assembly is not immediately available.

### COLUMN CALLOUT DESCRIPTION

**Figure and Item** - Indicates the figure number and item number of each part.

**Description** - Lists the name of the part and pertinent specifications (when required). Asterisks preceding the description denote the subordination of the part to the next higher assembly.

**DEC Part No.** - Lists the Digital part ordering number. A blank in this column indicates a Digital part number was not assigned at the time of publication.

**ECO Cut-In** - The notation at the top of this column indicates the ECO level of the system (option), at which the IPB was initially prepared. Subsequent ECO level designations, that modify existing parts or add new parts to the device, are inserted in the ECO Cut-In column next to the part that is added or modified.

**Used On Code** - Letters in this column correspond to the variation codes assigned in Figure 1. Parts with an Alpha notation(s) are used only in those option variations. A blank indicates that the part is used on all option variations.

**Ref Fig No.** - A cross reference between illustrations. For each Major Assembly, the number in this column denotes the figure of the next higher assembly. For all subassemblies, the number in this column denotes the figure showing additional detailed breakdown.

**PART NUMBER/PART DESCRIPTION INDEX SECTION**  
Parts are indexed both numerically and alphabetically by description, referenced to a location within the IPB, by figure number and item number.

## REVISION HISTORY

### OTHER IPB MANUALS REFERENCED

PRINTING	ECO LEVEL		DATE	OTHER IPB MANUALS REFERENCED
1st Printing	PS10A 70-26227	00000-00000 00000-00000	28-MAR-91	

Digital Equipment Corporation reserves the right, without notice, to make substitutions and modifications in the specifications of products documented in this manual and further reserves the right to withdraw any of these products from the market without notice.

Digital Equipment Corporation is not responsible for errors which may appear in the technical description (including illustrations and photographs) of the products covered by this manual.

None of the descriptions contained in this manual imply the granting of any license whatsoever to make, use or sell equipment constructed in accordance therewith.

**Restricted Rights:** Use, duplication or disclosure by the U.S. Government is subject to restrictions as set forth in subparagraph (c) (1) (ii) of the Rights in Technical Data and Computer Software clause at DFARS 252.227-2713.

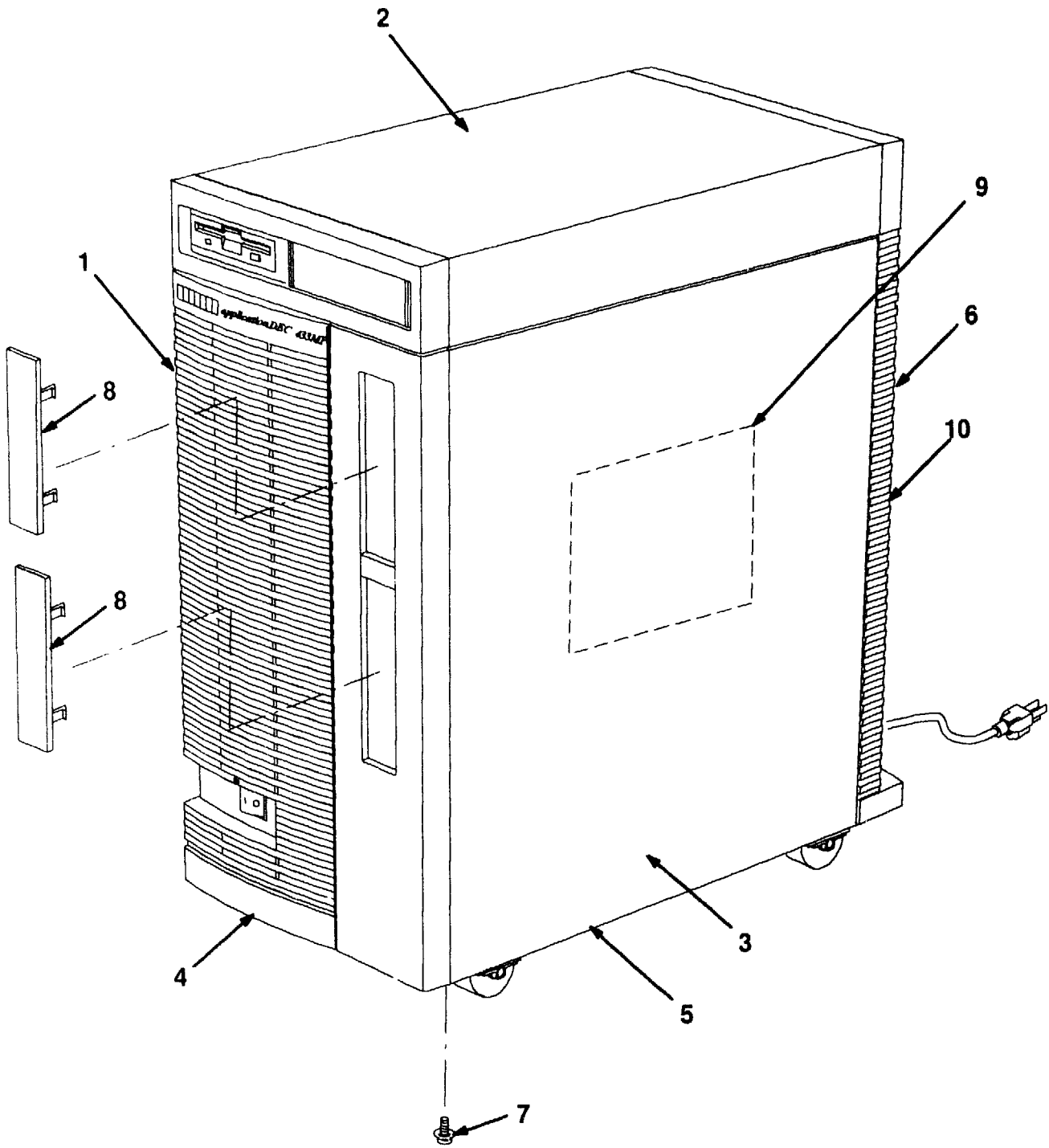
Copyright © 1991 by Digital Equipment Corporation. All rights reserved.  
Printed in U.S.A.

The postage-paid READER'S COMMENTS form on the last page of this document requests your critical evaluation to assist us in preparing future documentation.

The following are trademarks of Digital Equipment Corporation :

---

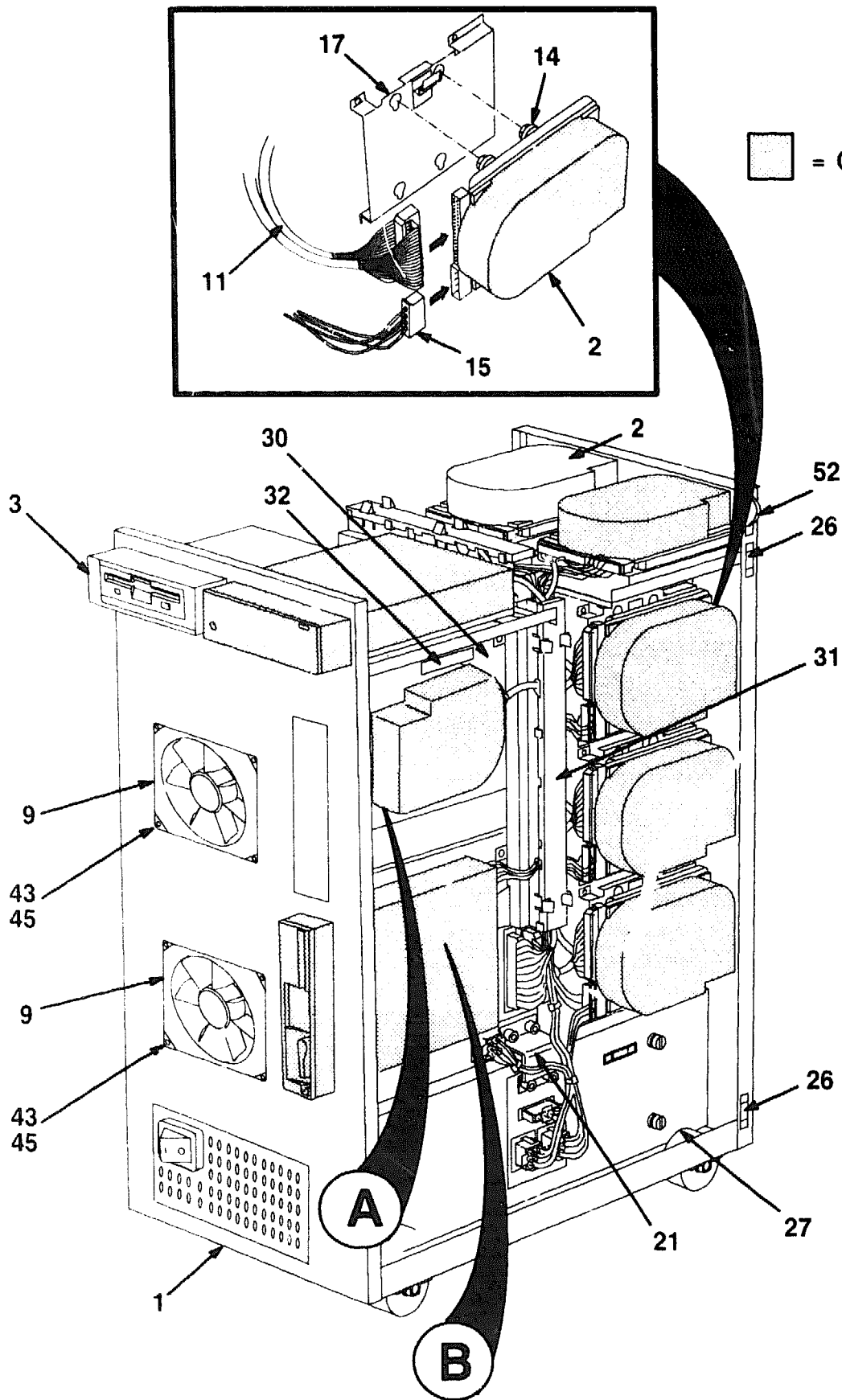
applicationDEC, DECdirect, and the DIGITAL logo.



433MP-01-IL

**Figure 1. applicationDEC 433MP**

FIG. & ITEM NO.	DESCRIPTION	DEC PART NO. <sup>A</sup>	ECO CUT-IN PS10A 00000	USED ON CODE	REF FIG NO.
1-	application DEC 433MP	PS10A-A9			
1	*Panel Assembly, Front	70-26613-01			
2	*Cover Assembly, Upper	70-26615-01			
3	*Panel Assembly, Side	70-26616-01			
4	*Brake Assembly	70-26618-01			
5	*UNIT ASSEMBLY, 433MP	70-26627-01			2
6	*Panel, Rear	74-41455-01			
7	*Screw, Sems No. 6-32 x 3/8	90-00049-24			
8	*Insert, Opening	74-42271-01			
9	*Label, "Critical Cable"	36-35154-01			
10	*Label, "I/O"	36-34630-01			
	ITEMS (Not Shown)				
	*Key, Plastic (See Figure 2 for reference)	12-17119-01			
	*Kit, Cartridge/Disk (10 package RX23K-10)	30-30083-03			
	*Adapter, 8-Pin	H7851-J			
	*Label, "Regulatory"	36-34054-01			
	*Label, "Module Location" (See Figure 2 for Clarity)	36-35153-01			



□ = OPTIONAL

433MP-02-IL

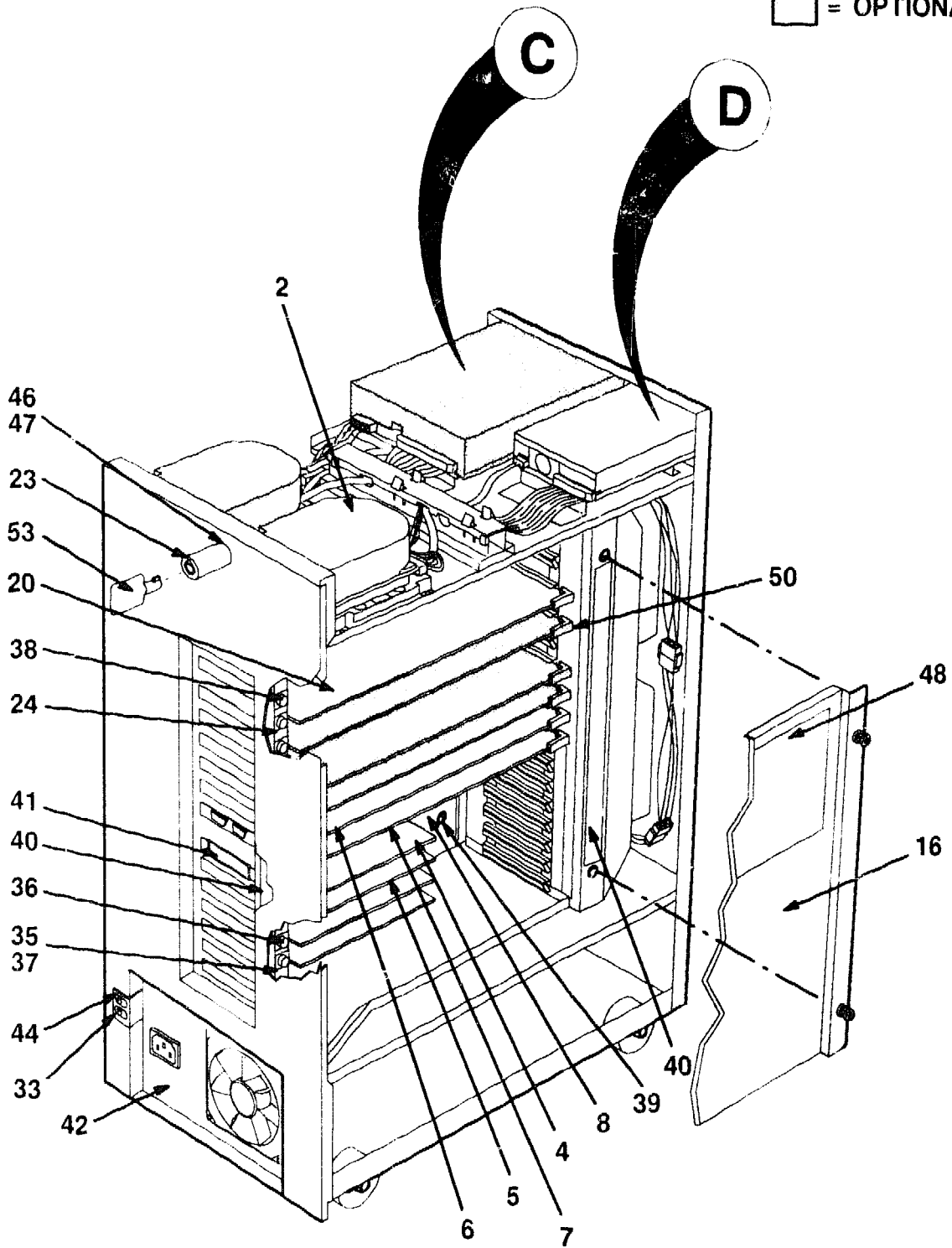
Figure 2. Unit Assembly, 433MP (Sheet 1 of 4)

PARTS LIST



5

□ = OPTIONAL

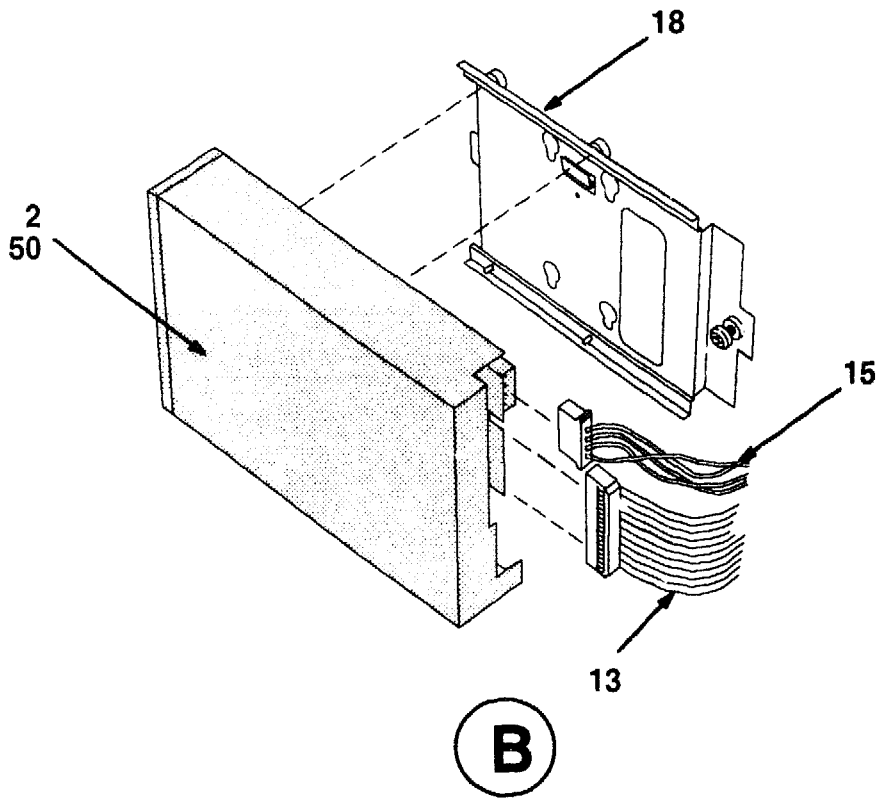
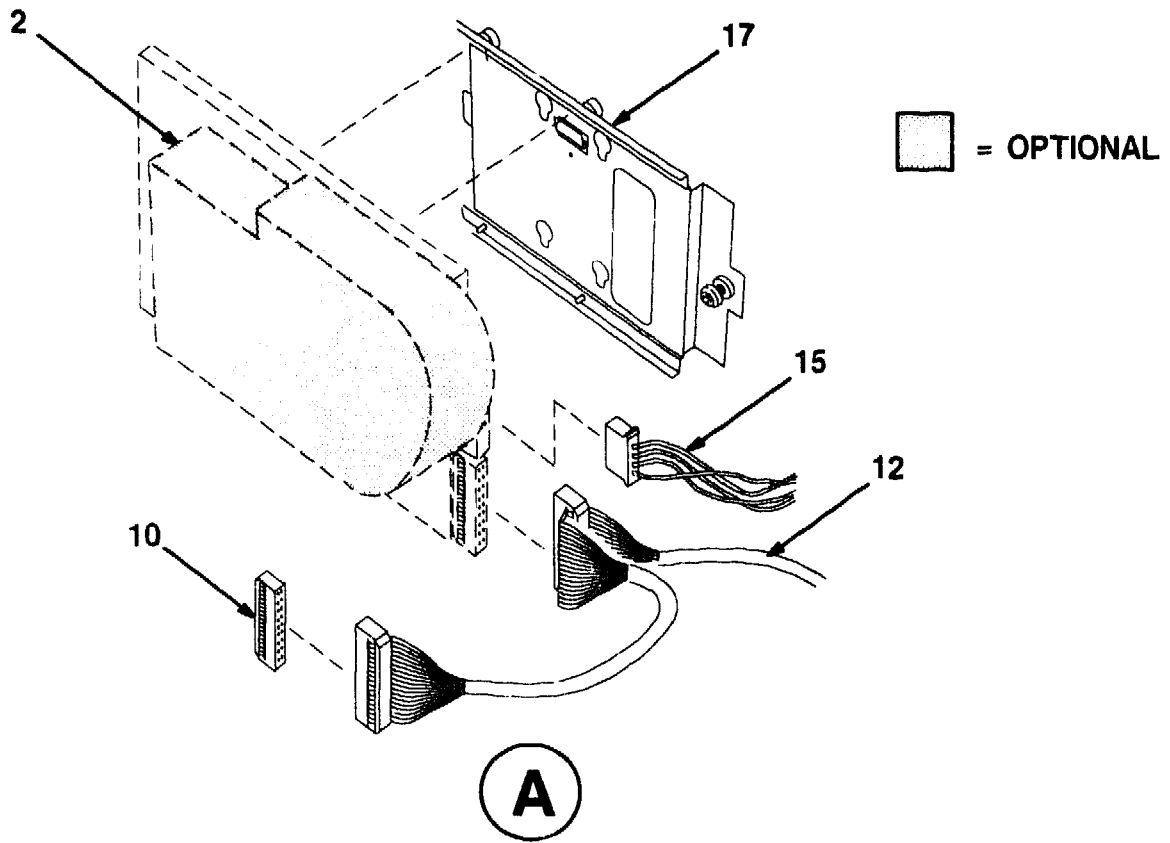


433MP-02A-IL

Figure 2. Unit Assembly, 433MP (Sheet 2 of 4)

PARTS LIST

6



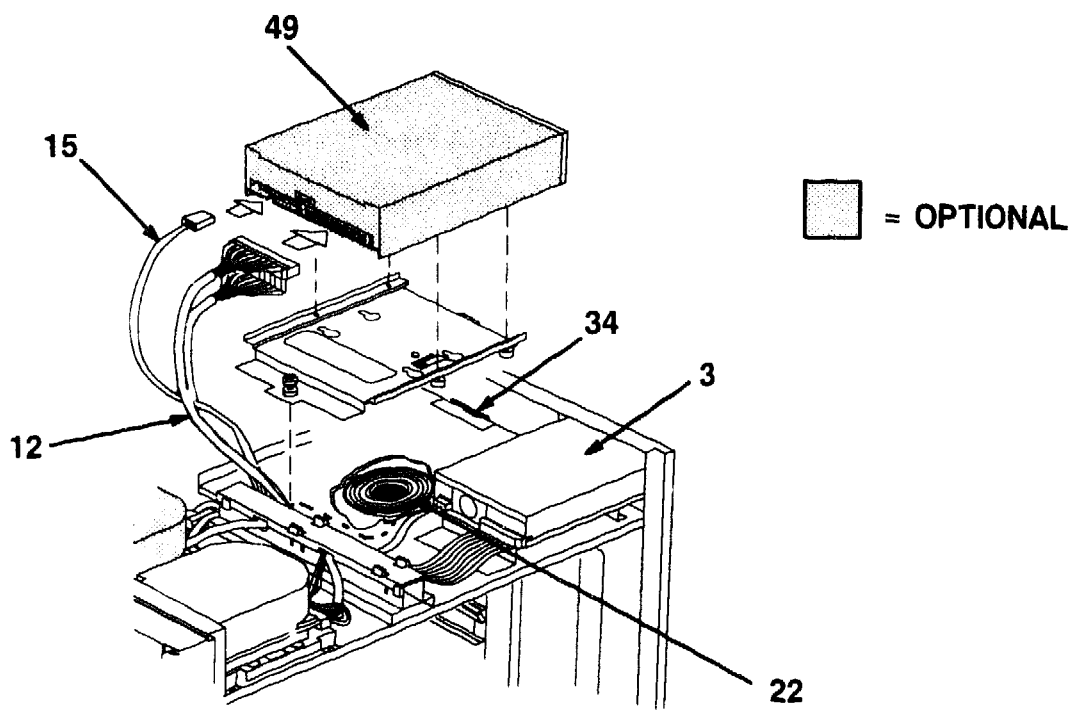
433MP-02B-IL

Figure 2. Unit Assembly, 433MP (Sheet 3 of 4)

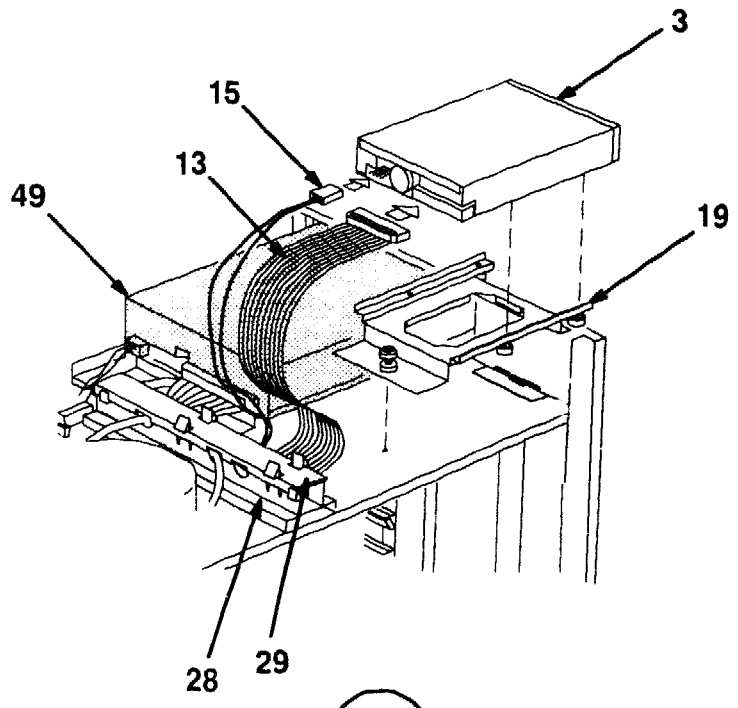
PARTS LIST







**C**



**D**

433MP-02C-IL

**Figure 2. Unit Assembly, 433MP (Sheet 4 of 4)**



FIG. & ITEM NO.	DESCRIPTION	DEC PART NO.	ECO CUT-IN 70-26627 00000	USED ON CODE	REF FIG NO.
2-	UNIT ASSEMBLY, 433MP	70-26627-01			1
1	*Chassis Assembly	70-26604-01			
2	*Disk Drive, RZ24-E	30-32874-01			
3	*Disk Drive, RX23-AA Floppy	30-30000-02			
4	*Module, SCSI-AT	30-35471-01			
5	*Module, Serial/Parallel	30-35157-01			
6	*Module, ATIO	54-19547-01			
7	*Module, CPU-Base	54-19551-01			
8	*Module, Backplane	54-19555-01			
9	*Fan	12-23609-11			
10	*Terminator, SCSI 50 Position	12-33816-01			
11	*Cable Assembly, Round	17-08266-01			
12	*Cable Assembly, Round	17-08266-02			
13	*Cable Assembly, Flat 34 Pin	17-02985-01			
14	*Grommet, Rubber	12-31734-01			
15	*Wire Assembly, Power	70-26605-01			
16	*Cover, Module Assembly	70-26617-01			
17	*Bracket, 5.25 inch Drive Assembly	70-26629-01			
18	*Bracket, 5.25 inch Drive Assembly	70-26629-02			
19	*Bracket, RX23 Assembly	70-26620-01			
20	*Module Assembly, Memory (SIMM)	54-19553-01			
21	*Cover, Contact Plate Assembly	70-26623-01			
22	*Speaker Assembly	70-26625-01			
23	*Head/Screw, Stroke Assembly	74-42136-01			
24	*Bracket, Module	74-41444-01			
25	*Guide, Card	74-41445-01			
26	*Plate, Ground	74-41454-01			
27	*Cover, Wheel	74-41456-01			
28	*Duct, Upper	74-41858-01			
29	*Cover, Upper Duct	74-41959-01			
30	*Duct, Backplane	74-41860-01			
31	*Cover, Backplane Duct	74-41861-01			
32	*Holder, SCSI Terminator	74-42132-01			
33	*Lock, Power Supply	74-42133-01			
34	*Cover, FCC	74-42134-01			
35	*Window, Cover/Chassis	74-42440-01			
36	*Screw, Sems No. 6-32 x 1/4	90-10174-00			
37	*Window, Pusher/Chassis	74-41427-01			
38	*Screw, Captive No. 6-32	90-11204-01			
39	*Screw, Sems No. 6-32 x 3/8	90-00049-24			
40	*Label, Module ID	36-34630-01			
41	*Connector, SCSI Terminator 50 Position	12-30552-01			
42	*Power Supply	H7828-AA			
43	*Screw, Fan	12-TA410-1A			
44	*Screw, Sems No. 8-32 x 5/16	90-10174-01			
45	*Bumper, Fan	74-41434-01			

FIG. & ITEM NO.	DESCRIPTION	DEC PART NO. <sup>A</sup>	ECO CUT-IN 70-26627 00000	USED ON CODE	REF FIG NO.
2-					
46	*Washer, Flat	90-06653-00			
47	*Nut, Kep No. 6-32	90-08185-00			
48	Label, Module (See Note)	90-5153-01			
49	Tape Drive, TKZ10-AA (See Note)	30-34261-01			
50	Disk Drive, 5.25 inch Floppy (See Note)	RX33-XX			
51	Module, SIO (See Note)	54-19549-01			
52	Ground Cover, Upper (See Note)	74-42241-01			
53	Key, Plastic (See Note)	12-17119-01			
	ITEMS (Not Shown)				
	*Wheel, Stroke	74-42135-01			
	*Bushing, Snap-In	90-00021-05			
	*Clip, Wire Mounting	12-21249-06			
	*Cable Assembly, Flat 50 Pin	17-02983-01			
	NOTE: Items 48 Thru 53 Are Not Part Of This Assembly, Shown For Reference Only.				
					Ω

# **PART NUMBER/DESCRIPTION INDEX**



# INDEX BY DEC PART NUMBER

application DEC 433MP

PART NO.	DESCRIPTION	FIG NO.	ITEM NO.
12-17119-01	Key, Plastic	2	53
12-17119-01	Key, Plastic	1	Not Shown
12-21249-06	Clip, Wire Mounting	2	Not Shown
12-23609-11	Fan	2	9
12-30552-01	Connector, SCSI Terminator 50 Position	2	41
12-31734-01	Grommet, Rubber	2	14
12-33816-01	Terminator, SCSI 50 Position	2	10
12-TA410-1A	Screw, Fan	2	43
17-02983-01	Cable Assembly, Flat 50 Pin	2	Not Shown
17-02985-01	Cable Assembly, Flat 34 Pin	2	13
17-08266-01	Cable Assembly, Round	2	11
17-08266-02	Cable Assembly, Round	2	12
30-30000-02	Disk Drive, RX23-AA Floppy	2	3
30-30083-03	Kit, Cartridge/Disk (10 package RX23K-10)	1	Not Shown
30-32874-01	Disk Drive, RZ24-E	2	2
30-34261-01	Tape Drive, TKZ10-AA	2	49
30-35157-01	Module, Serial/Parallel	2	5
30-35471-01	Module, SCSI-AT	2	4
36-34054-01	Label, "Regulatory"	1	Not Shown
36-34630-01	Label, "I/O"	1	10
36-34630-01	Label, Module ID	2	40
36-35153-01	Label, "Module Location"	1	Not Shown
36-35153-01	Label, Module	2	48
36-35154-01	Label, "Critical Cable"	1	9
54-19547-01	Module, ATIO	2	3
54-19549-01	Module, SIO	2	51
54-19551-01	Module, CPU-Base	2	7
54-19553-01	Module Assembly, Memory (SIMM)	2	20
54-19555-01	Module, Backplane	2	8
70-26604-01	Chassis Assembly	2	1
70-26605-01	Wire Assembly, Power	2	15
70-26613-01	Panel Assembly, Front	1	1
70-26615-01	Cover Assembly, Upper	1	2
70-26616-01	Panel Assembly, Side	1	3
70-26617-01	Cover, Module Assembly	2	16
70-26618-01	Brake Assembly	1	4
70-26620-01	Bracket, RX23 Assembly	2	19
70-26623-01	Cover, Contact Plate Assembly	2	21
70-26625-01	Speaker Assembly	2	22
70-26627-01	UNIT ASSEMBLY, 433MP	1	5
70-26627-01	UNIT ASSEMBLY, 433MP	2	N/A
70-26629-01	Bracket, 5.25 inch Drive Assembly	2	17
70-26629-02	Bracket, 5.25 inch Drive Assembly	2	18
74-41427-01	Window, Pusher/Chassis	2	37
74-41434-01	Bumper, Fan	2	45
74-41444-01	Bracket, Module	2	24
74-41445-01	Guide, Card	2	25

**INDEX BY DEC PART NUMBER**  
applicationDEC 433MP

PART NO.	DESCRIPTION	FIG NO.	ITEM NO.
74-41454-01	Plate, Ground	2	26
74-41455-01	Panel, Rear	1	6
74-41456-01	Cover, Wheel	2	27
74-41858-01	Duct, Upper	2	28
74-41860-01	Duct, Backplane	2	30
74-41861-01	Cover, Backplane Duct	2	31
74-41959-01	Cover, Upper Duct	2	29
74-42132-01	Holder, SCSI Terminator	2	32
74-42133-01	Lock, Power Supply	2	33
74-42134-01	Cover, FCC	2	34
74-42135-01	Wheel, Stroke	2	Not Shown
74-42136-01	Head/Screw, Stroke Assembly	2	23
74-42241-01	Ground Cover, Upper	2	52
74-42271-01	Insert, Opening	1	8
74-42440-01	Window, Cover/Chassis	2	35
90-00021-05	Bushing, Snap-In	2	Not Shown
90-00049-24	Screw, Sems No. 6-32 x 3/8	1	7
90-00049-24	Screw, Sems No. 6-32 x 3/8	2	39
90-06653-00	Washer, Flat	2	46
90-08185-00	Nut, Kep No. 6-32	2	47
90-10174-00	Screw, Sems No. 6-32 x 1/4	2	36
90-10174-01	Screw, Sems No. 8-32 x 5/16	2	44
90-11204-01	Screw, Captive No. 6-32	2	38
H7828-AA	Power Supply	2	42
H7851-J	Adapter, 8-Pin	1	Not Shown
PS10A-A9	applicationDEC 433MP	1	N/A
RX33-XX	Disk Drive, 5.25 inch Floppy	2	50

**INDEX BY DEC PART DESCRIPTION**  
applicationDEC 433MP

DESCRIPTION	DEC PART NC	FIG. NO.	ITEM NO.
Adapter, 8-Pin	H7851-J	1	Not Shown
applicationDEC 433MP	PS10A-A9	1	N/A
Bracket, 5.25 inch Drive Assembly	70-26629-01	2	17
Bracket, 5.25 inch Drive Assembly	70-26629-02	2	18
Bracket, Module	74-41444-01	2	24
Bracket, RX23 Assembly	70-26620-01	2	19
Brake Assembly	70-26618-01	1	4
Bumper, Fan	74-41434-01	2	45
Bushing, Snap-In	90-00021-05	2	Not Shown
Cable Assembly, Flat 34 Pin	17-02985-01	2	13
Cable Assembly, Flat 50 Pin	17-02983-01	2	Not Shown
Cable Assembly, Round	17-08266-02	2	12
Cable Assembly, Round	17-08266-01	2	11
Chassis Assembly	70-26604-01	2	1
Clip, Wire Mounting	12-21249-06	2	Not Shown
Connector, SCSI Terminator 50 Position	12-30552-01	2	41
Cover Assembly, Upper	70-26615-01	1	2
Cover, Backplane Duct	74-41861-01	2	31
Cover, Contact Plate Assembly	70-26623-01	2	21
Cover, FCC	74-42134-01	2	34
Cover, Module Assembly	70-26617-01	2	16
Cover, Upper Duct	74-41959-01	2	29
Cover, Wheel	74-41456-01	2	27
Disk Drive, 5.25 inch Floppy	RX33-XX	2	50
Disk Drive, RX23-AA Floppy	30-30000-02	2	3
Disk Drive, RZ24-E	30-32874-01	2	2
Duct, Backplane	74-41860-01	2	30
Duct, Upper	74-41858-01	2	28
Fan	12-23609-11	2	9
Grommet, Rubber	12-31734-01	2	14
Ground Cover, Upper	74-42241-01	2	52
Guide, Card	74-41445-01	2	25
Head/Screw, Stroke Assembly	74-42136-01	2	23
Holder, SCSI Terminator	74-42132-01	2	32
Insert, Opening	74-42271-01	1	8
Key, Plastic	12-17119-01	1	Not Shown
Key, Plastic	12-17119-01	2	53
Kit, Cartridge/Disk (10 package RX23K-10)	30-30083-03	1	Not Shown
Label, "Critical Cable"	36-35154-01	1	9
Label, "I/O"	36-34630-01	1	10
Label, "Module Location"	36-35153-01	1	Not Shown
Label, "Regulatory"	36-34054-01	1	Not Shown
Label, Module	36-35153-01	2	48
Label, Module ID	36-34630-01	2	40
Lock, Power Supply	74-42133-01	2	33

# INDEX BY DEC PART DESCRIPTION

application DEC 433MP

DESCRIPTION	DEC PART NO.	FIG. NO.	ITEM NO.
Module Assembly, Memory (SIMM)	54-19553-01	2	20
Module, ATIO	54-19547-01	2	6
Module, Backplane	54-19555-01	2	8
Module, CPU-Base	54-19551-01	2	7
Module, SCSI-AT	30-35471-01	2	4
Module, Serial/Parallel	30-35157-01	2	5
Module, SIO	54-19549-01	2	51
Nut, Kep No. 6-32	90-08185-00	2	47
Panel Assembly, Front	70-26613-01	1	1
Panel Assembly, Side	70-26616-01	1	3
Panel, Rear	74-41455-01	1	6
Plate, Ground	74-41454-01	2	26
Power Supply	H7828-AA	2	42
Screw, Captive No. 6-32	90-11204-01	2	38
Screw, Fan	12-TA410-1A	2	43
Screw, Sems No. 6-32 x 1/4	90-10174-00	2	36
Screw, Sems No. 6-32 x 3/8	90-00049-24	1	7
Screw, Sems No. 6-32 x 3/8	90-00049-24	2	39
Screw, Sems No. 8-32 x 5/16	90-10174-01	2	44
Speaker Assembly	70-26625-01	2	22
Tape Drive, TKZ10-AA	30-34261-01	2	49
Terminator, SCSI 50 Position	12-33816-01	2	10
UNIT ASSEMBLY, 433MP	70-26627-01	1	5
UNIT ASSEMBLY, 433MP	70-26627-01	2	N/A
Washer, Flat	90-08653-00	2	46
Wheel, Stroke	74-42135-01	2	Not Shown
Window, Cover/Chassis	74-42440-01	2	35
Window, Pusher/Chassis	74-41427-01	2	37
Wire Assembly, Power	70-26605-01	2	15