

**ILLUSTRATED
PARTS
BREAKDOWN**

**VR326
15 INCH COLOR MONITOR**

HOW TO USE THE IPB

GENERAL

This IPB is compiled following the organization and nomenclature of the engineering drawing structure.

MAJOR ASSEMBLY LOCATOR (When Applicable)

The Major Assembly Locator (first illustration) is an index that provides a description and a figure reference for all illustrations used in this manual.

INDENTED PARTS LIST

This manual identifies each assembly being broken down (figure reference callout), and all parts of that assembly. Further breakdown of an assembly is shown by an asterisk (*) preceding the item callouts in the Description Column. The number of asterisks preceding an item is used to denote the subordination of that item with respect to the Major Assembly. A single asterisk preceding an item description indicates that the item is part of the major assembly being illustrated. Items that are subordinate to single asterisks items, are denoted by two asterisks (**) and immediately follow the related single asterisk item. This system of part identification provides a means for the user to identify the next higher assembly item and make alternate selections for parts when the required replacement part of assembly is not immediately available.

COLUMN CALLOUT DESCRIPTION

Figure and Item - Indicates the figure number and item number of each part.

Description - Lists the name of the part and pertinent specifications (when required). Asterisks preceding the description denote the subordination of the part to the next higher assembly.

DEC Part No. - Lists the Digital part ordering number. A blank in this column indicates a Digital part number was not assigned at the time of publication.

ECO Cut-In - The notation at the top of this column indicates the ECO level of the system (option), at which the IPB was initially prepared. Subsequent ECO level designations, that modify existing parts or add new parts to the device, are inserted in the ECO Cut-In column next to the part that is added or modified.

Used On Code - Letters in this column correspond to the variation codes assigned in Figure 1. Parts with an Alpha notation(s) are used only in those option variations. A blank indicates that the part is used on all option variations.

Ref Fig No. - A cross reference between illustrations. For each Major Assembly, the number in this column denotes the figure of the next higher assembly. For all subassemblies, the number in this column denotes the figure showing additional detailed breakdown.

PART NUMBER/PART DESCRIPTION INDEX SECTION
Parts are indexed both numerically and alphabetically by description, referenced to a location within the IPB, by figure number and item number.

REVISION HISTORY

PRINTING	ECO LEVEL		DATE	OTHER IPB MANUALS REFERENCED
	FIGURE	ITEM		
1st Printing	VR326	00000-00000	23-AUG-91	N/A
	70-27481	00000-00000		
	70-27480	00000-00000		
	70-27072	00000-00000		
	70-27070	00000-00000		

Digital Equipment Corporation reserves the right, without notice, to make substitutions and modifications in the specifications of products documented in this manual and further reserves the right to withdraw any of these products from the market without notice.

Digital Equipment Corporation is not responsible for errors which may appear in the technical description (including illustrations and photographs) of the products covered by this manual.

None of the descriptions contained in this manual imply the granting of any license whatsoever to make, use or sell equipment constructed in accordance therewith.

Restricted Rights: Use, duplication or disclosure by the U.S. Government is subject to restrictions as set forth in subparagraph (c) (1) (ii) of the Rights in Technical Data and Computer Software clause at DFARS 252.227-2713.

Copyright © 1991 by Digital Equipment Corporation. All rights reserved.

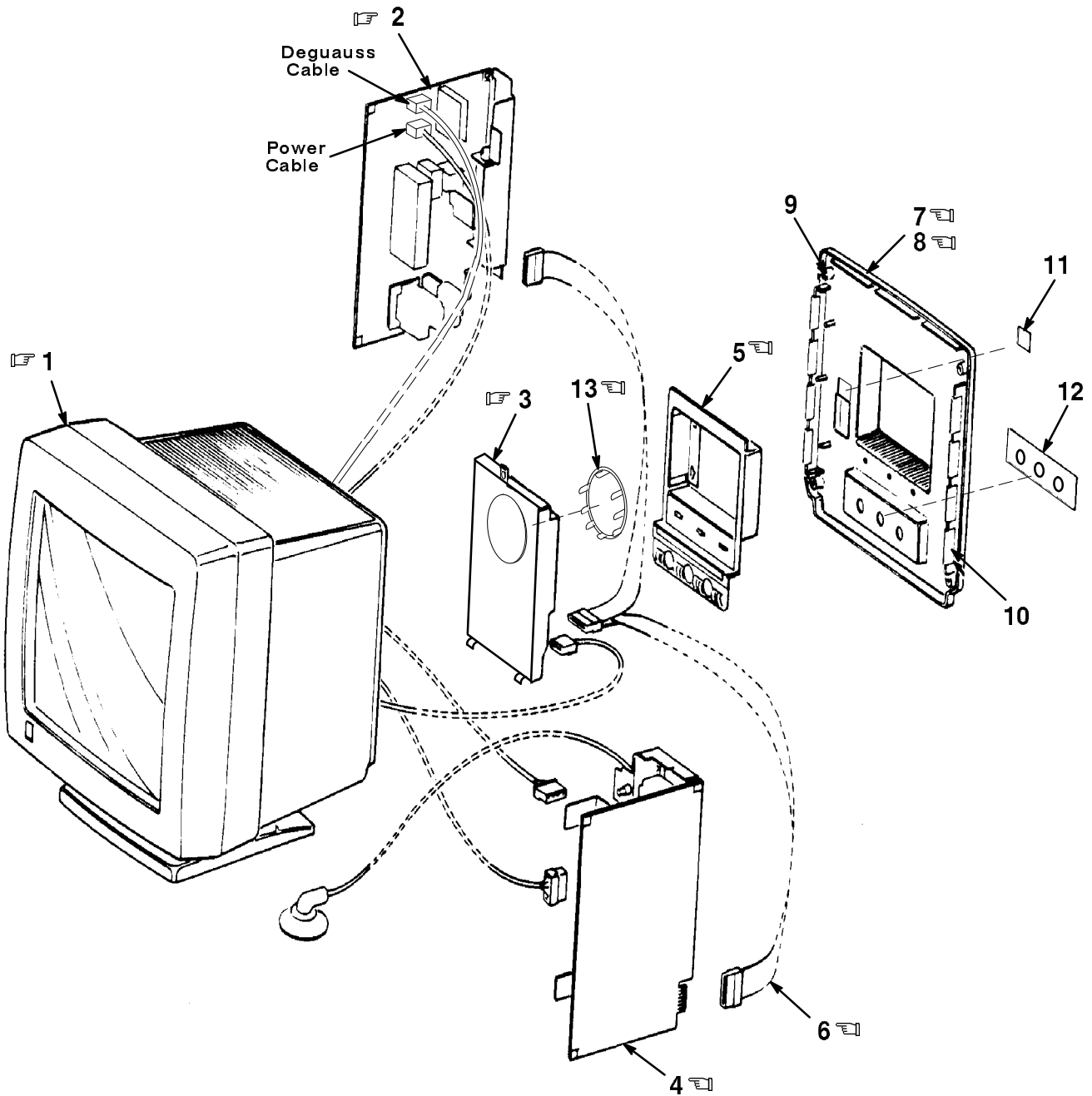
The postage-paid READER'S COMMENTS form on the last page of this document requests your critical evaluation to assist us in preparing future documentation.

The following are trademarks of Digital Equipment Corporation :

DEC, VR and the DIGITAL logo.

INDICATES FRU LEVEL PARTS

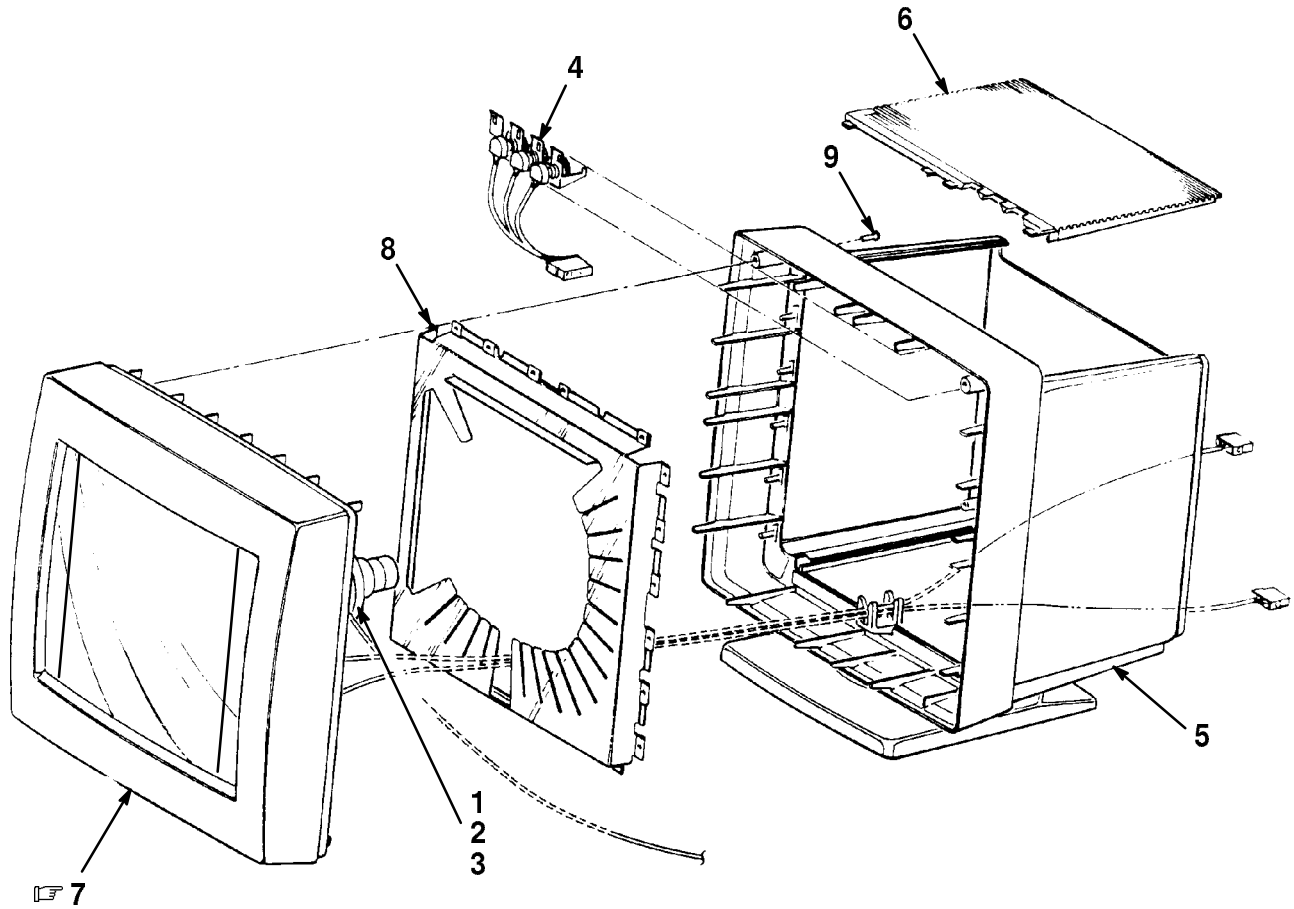
PARTS LIST



VR326-01-SC

Figure 1. Monitor Assembly, VR326 Color

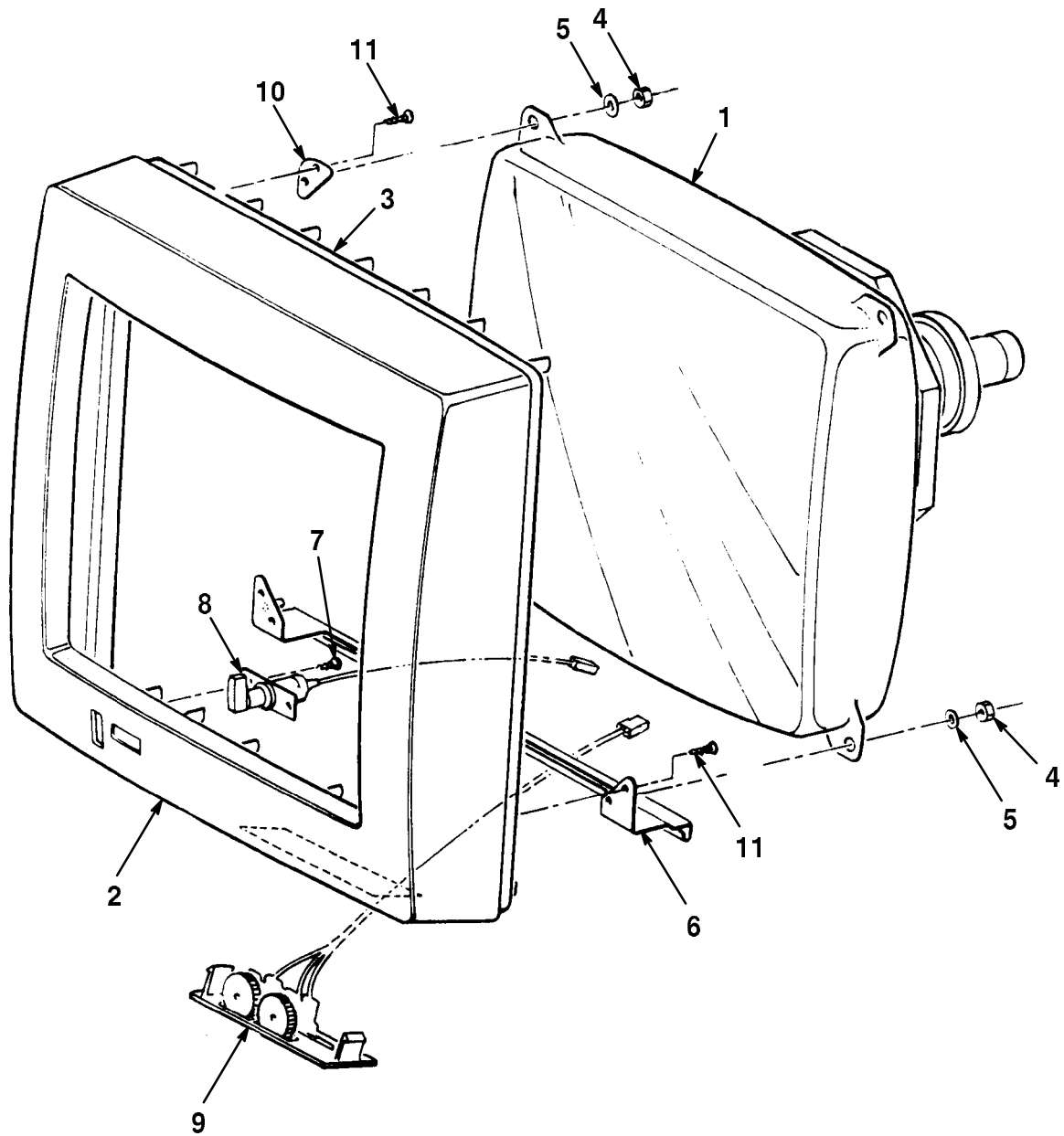
FIG. & ITEM NO.	DESCRIPTION	DEC PART NO. ^A	ECO CUT-IN 70-28736 00000	USED ON CODE	REF FIG NO.
1-	MONITOR ASSEMBLY, VR326 COLOR				
	Code A - Used On VR326-DA (1024 x 768 @72Hz, Northern Hemisphere, 120/240V)	VR326-DA		A	
	Code B - Used On VR326-D4 (1024 x 768 @72Hz, Southern Hemisphere, 120/240V)	VR326-D4		B	
☞ 1	*CRT/CHASSIS ASSEMBLY (Northern Hemisphere)	70-27481-01		A	2
	*CRT/CHASSIS ASSEMBLY (Southern Hemisphere)	70-27481-02		B	2
☞ 2	*Module, Power Supply	54-19629-04			
☞ 3	*CASTING ASSEMBLY, VIDEO	70-27072-01			4
☞ 4	*Module, Deflection	54-19828-01			
☞ 5	*Shield, Rear	70-28068-01			
☞ 6	*Cable Assembly, Interconnect (Ribbon)	70-27000-02			
☞ 7	*COVER ASSEMBLY, REAR	70-27074-01			
☞ 8	**Cover, Rear	74-39789-01			
9	**Screw, Captive Pan Hd. No. 6-32 x 5/8	12-30940-03			
10	**Shield, Clip On	12-32872-02			
11	*Label, "Power" (Non-Orderable)	36-33319-02			
12	*Label, "Regulatory" (Hong Kong) (Non-Orderable)	36-32051-03			
☞ 13	*Plug, Button 3.0 inch	90-00017-01			



VR326-02-SC

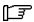
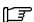
Figure 2. CRT/Chassis Assembly

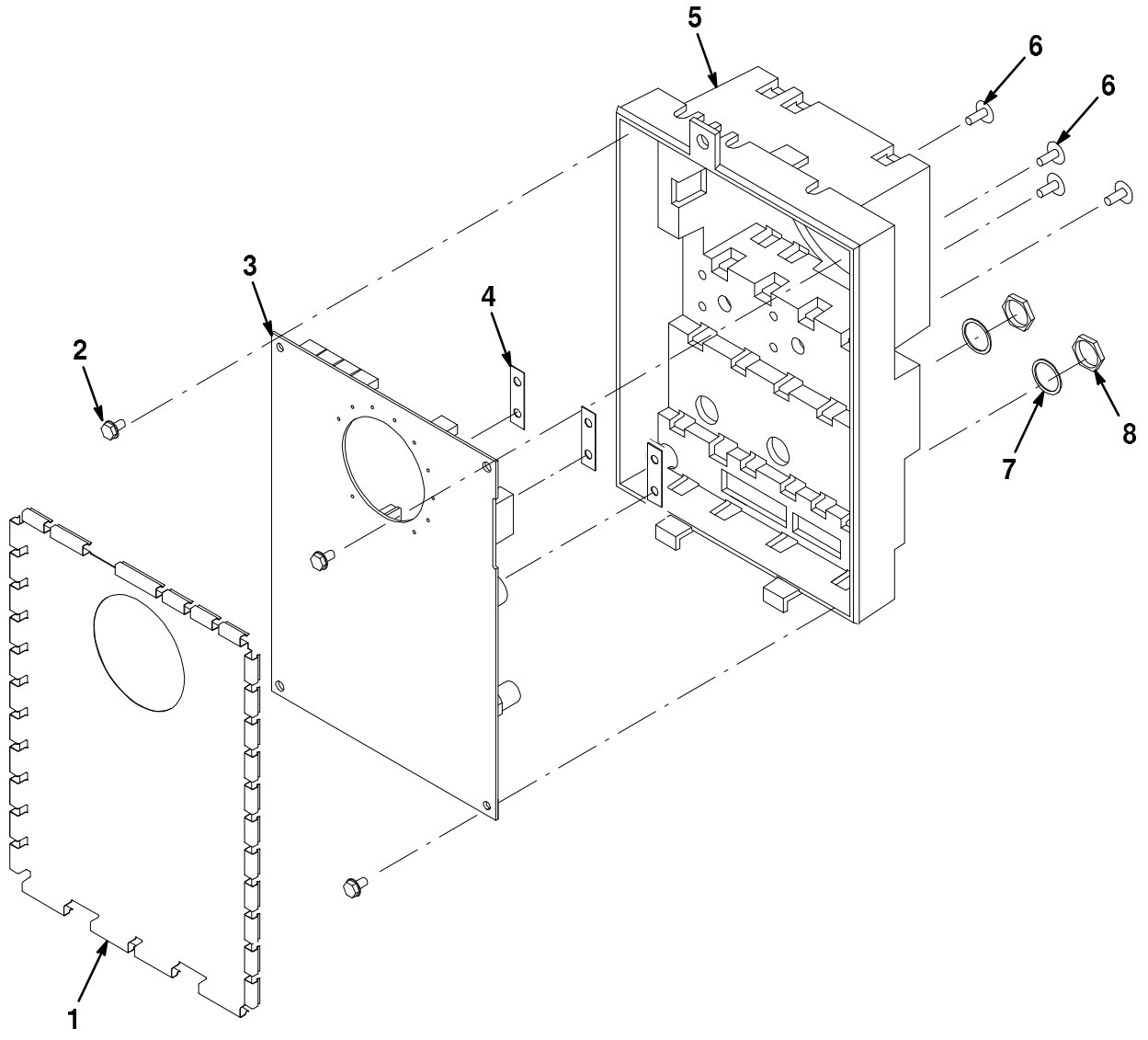
FIG. & ITEM NO.	DESCRIPTION	DEC PART NO.	ECO CUT-IN 70-27481 00000	USED ON CODE	REF FIG NO.
2- ☞	*CRT/CHASSIS ASSEMBLY (Northern Hemisphere)	70-27481-01		A	1
☞	*CRT/CHASSIS ASSEMBLY (Southern Hemisphere)	70-27481-02		B	1
1	*Magnet, Ring	N/A			
2	*Magnet, Ring	N/A			
3	*Magnet, Ring	N/A			
4	*Cable Assembly, Raster	N/A			
5	*ENCLOSURE ASSEMBLY	N/A			5
6	*Cover Assembly, Top	N/A			
☞ 7	*BEZEL ASSEMBLY, FRONT (Super FRU)	70-27480-01			3
	*BEZEL ASSEMBLY, FRONT (Super FRU)	70-27480-02			3
8	*Shield, Aquadag	N/A			
9	*Screw, Mach Pan Hd No. 8-32 x 1/2	N/A			
	ITEMS (Not Shown)				
	*Label, "Danger High Voltage" (Non-Orderable)	N/A			
	*Clip, Wire Routing (Non-Orderable)	N/A			
	*Label, "DHHS X-Ray Emission"	N/A			



VR326-03-SC

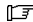
Figure 3. Bezel Assembly, Front (Super F.R.U.)

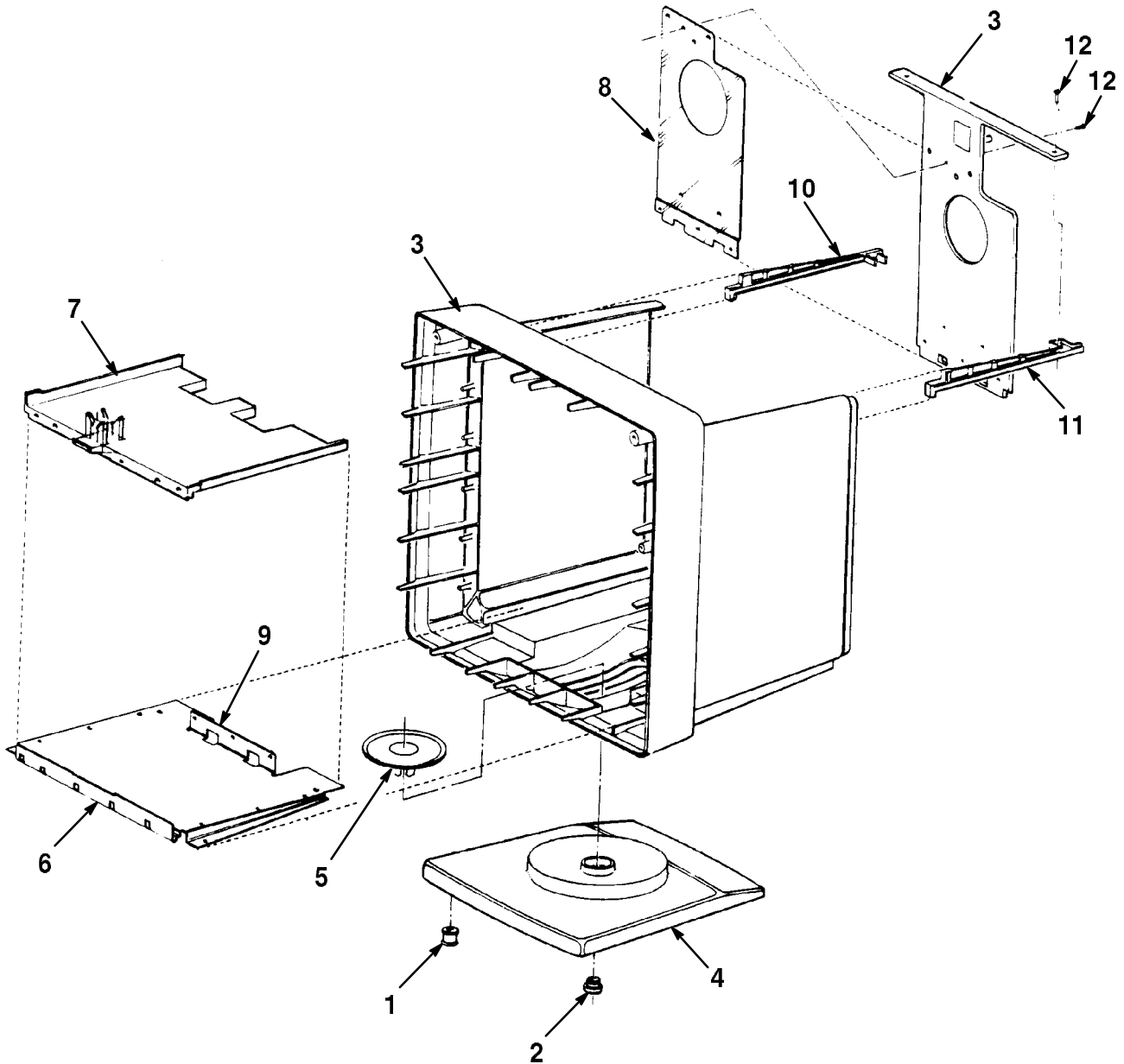
FIG. & ITEM NO.	DESCRIPTION	DEC PART NO. ^A	ECO CUT-IN 70-27480 00000	USED ON CODE	REF FIG NO.
3- 	BEZEL ASSEMBLY, FRONT (Super FRU)	70-27480-01		A	2
	BEZEL ASSEMBLY, FRONT (Super FRU)	70-27480-02		B	2
1	*CRT, 15 inch Color w/Yoke (N. Hemisphere)	N/A		A	
	*CRT, 15 inch Color w/Yoke (S. Hemisphere)	N/A		B	
2	*Bezel, CRT w/Recess Bright Contrast	N/A			
3	*Cable Assembly, Degauss	N/A			
4	*Nut, Kep No. 10-32	N/A			
5	*Washer, Flat SST	N/A			
6	*Bracket, Bezel Stiffener	N/A			
7	*Screw, Pan Hd. No. 6-19 x 3/8	N/A			
8	*LED Assembly	N/A			
9	*Control Assembly	N/A			
10	*Plate, CRT Mounting	N/A			
11	*Screw, Flat Hd. No. 6-19 x 1/2	N/A			



VR326-04-IL

Figure 4. Casting Assembly, Video

FIG. & ITEM NO.	DESCRIPTION	DEC PART NO. ^A	ECO CUT-IN 70-27072 00000	USED ON CODE	REF FIG NO.
4- 	CASTING ASSEMBLY, VIDEO	70-27072-01			1
1	*Shield, Casting	N/A			
2	*Screw, Hex Hd. No. 6-32 x 3/8	N/A			
3	*Module, Video	N/A			
4	*Pad, Sill	N/A			
5	*Casting	N/A			
6	*Screw, Mach. Phi Pan Hd. 6-32 x 3/8	N/A			
7	*Washer, Lock	N/A			
8	*Nut, Hex No. 1/2 - 28	N/A			



VR326-05-SC

Figure 5. Enclosure Assembly

FIG. & ITEM NO.	DESCRIPTION	DEC PART NO. ^B	ECO CUT-IN 70-27070 00000	USED ON CODE	REF FIG NO.
5-	ENCLOSURE ASSEMBLY	N/A			2
1	*Bumper, Rubber	N/A			
2	*Plug, Retainer	N/A			
3	*Enclosure, Rear (For Clarity, Shown in 2 Pieces)	N/A			
4	*Base	N/A			
5	*Retainer, Base	N/A			
6	*Shield, Bottom	N/A			
7	*Guide, Lower Card	N/A			
8	*Retainer, Stud Plate	N/A			
9	*Shield, Bottom Rear	N/A			
10	*Guide, Upper Card	N/A			
11	*Guide, Top R.H. Card	N/A			
12	*Screw, Flat Hd. No. 6-19 x 1/2	N/A			

Ω

PART NUMBER/DESCRIPTION INDEX

INDEX BY DEC PART NUMBER
VR326 COLOR MONITOR

PART NO.	DESCRIPTION	FIG NO.	ITEM NO.
12-30940-03	Screw, Captive Pan Hd. No. 6-32 x 5/8	1	9
12-32872-02	Shield, Clip On	1	10
36-32051-03	Label, "Regulatory" (Hong Kong) (Non-Orderable)	1	12
36-33319-02	Label, "Power" (Non-Orderable)	1	11
54-19629-04	Module, Power Supply	1	2
54-19828-01	Module, Deflection	1	4
70-27000-02	Cable Assembly, Interconnect (Ribbon)	1	6
70-27072-01	CASTING ASSEMBLY, VIDEO	4	N/A
70-27072-01	CASTING ASSEMBLY, VIDEO	1	3
70-27074-01	COVER ASSEMBLY, REAR	1	7
70-27480-01	BEZEL ASSEMBLY, FRONT (Super FRU)	2	7
70-27480-01	BEZEL ASSEMBLY, FRONT (Super FRU)	3	N/A
70-27480-02	BEZEL ASSEMBLY, FRONT (Super FRU)	2	7
70-27480-02	BEZEL ASSEMBLY, FRONT (Super FRU)	3	N/A
70-27481-01	CRT/CHASSIS ASSEMBLY (Northern Hemisphere)	2	N/A
70-27481-01	CRT/CHASSIS ASSEMBLY (Northern Hemisphere)	1	1
70-27481-02	CRT/CHASSIS ASSEMBLY (Southern Hemisphere)	1	1
70-27481-02	CRT/CHASSIS ASSEMBLY (Southern Hemisphere)	2	N/A
70-28068-01	Shield, Rear	1	5
74-39789-01	Cover, Rear	1	8
90-00017-01	Plug, Button 3.0 inch	1	13
VR326-D4	VR326-D4 (1024 x 768 @72 Hz, Southern Hemisphere, 120/240V)	1	N/A
VR326-DA	VR326-DA (1024 x 768 @72 Hz, Northern Hemisphere, 120/240V)	1	N/A

INDEX BY DEC PART DESCRIPTION
VR326 COLOR MONITOR

DESCRIPTION	DEC PART NO.	FIG. NO.	ITEM NO.
BEZEL ASSEMBLY, FRONT (Super FRU)	70-27480-01	3	N/A
BEZEL ASSEMBLY, FRONT (Super FRU)	70-27480-02	3	N/A
BEZEL ASSEMBLY, FRONT (Super FRU)	70-27480-01	2	7
BEZEL ASSEMBLY, FRONT (Super FRU)	70-27480-02	2	7
Bezel, CRT w/Recess Bright Contrast	N/A	3	2
Bracket, Bezel Stiffener	N/A	3	6
Bumper, Rubber	N/A	5	1
Cable Assembly, Degauss	N/A	3	3
Cable Assembly, Interconnect (Ribbon)	70-27000-02	1	6
Cable Assembly, Raster	N/A	2	4
Casting	N/A	4	5
CASTING ASSEMBLY, VIDEO	70-27072-01	4	N/A
CASTING ASSEMBLY, VIDEO	70-27072-01	1	3
Clip, Wire Routing (Non-Orderable)	N/A	2	Not Shown
Control Assembly	N/A	3	9
COVER ASSEMBLY, REAR	70-27074-01	1	7
Cover Assembly, Top	N/A	2	6
Cover, Rear	74-39789-01	1	8
CRT, 15 inch Color w/Yoke (Northern Hemisphere)	N/A	3	1
CRT, 15 inch Color w/Yoke (Southern Hemisphere)	N/A	3	1
CRT/CHASSIS ASSEMBLY (Northern Hemisphere)	70-27481-01	2	N/A
CRT/CHASSIS ASSEMBLY (Northern Hemisphere)	70-27481-01	1	1
CRT/CHASSIS ASSEMBLY (Southern Hemisphere)	70-27481-02	2	N/A
CRT/CHASSIS ASSEMBLY (Southern Hemisphere)	70-27481-02	1	1
ENCLOSURE ASSEMBLY	N/A	2	5
ENCLOSURE ASSEMBLY	N/A	5	N/A
Enclosure, Rear (For Clarity, Shown in 2 Pieces)	N/A	5	3
Guide, Lower Card	N/A	5	7
Guide, Top R.H. Card	N/A	5	11
Guide, Upper Card	N/A	5	10
Label, "Danger High Voltage" (Non-Orderable)	N/A	2	Not Shown
Label, "DHHS X-Ray Emission"	N/A	2	Not Shown
Label, "Power" (Non-Orderable)	36-33319-02	1	11
Label, "Regulatory" (Hong Kong) (Non-Orderable)	36-32051-03	1	12
LED Assembly	N/A	3	8
Magnet, Ring	N/A	2	2
Magnet, Ring	N/A	2	3
Magnet, Ring	N/A	2	1
Module, Deflection	54-19828-01	1	4
Module, Power Supply	54-19629-04	1	2
Module, Video	N/A	4	3
MONITOR ASSEMBLY, VR326 COLOR	N/A	1	N/A
Nut, Hex No. 1/2 - 28	N/A	4	8
Nut, Kep No. 10-32	N/A	3	4
Pad, Sill	N/A	4	4
Plate, CRT Mounting	N/A	3	10
Plug, Button 3.0 inch	90-00017-01	1	13
Plug, Retainer	N/A	5	2

INDEX BY DEC PART DESCRIPTION
VR326 COLOR MONITOR

DESCRIPTION	DEC PART NO.	FIG. NO.	ITEM NO.
Retainer, Base	N/A	5	5
Retainer, Stud Plate	N/A	5	8
Screw, Captive Pan Hd. No. 6-32 x 5/8	12-30940-03	1	9
Screw, Flat Hd. No. 6-19 x 1/2	N/A	5	12
Screw, Flat Hd. No. 6-19 x 1/2	N/A	3	11
Screw, Hex Hd. No. 6-32 x 3/8	N/A	4	2
Screw, Mach Pan Hd No. 8-32 x 1/2	N/A	2	9
Screw, Mach. Phi Pan Hd. 6-32 x 3/8	N/A	4	6
Screw, Pan Hd. No. 6-19 x 3/8	N/A	3	7
Shield, Aquadag	N/A	2	8
Shield, Bottom	N/A	5	6
Shield, Bottom Rear	N/A	5	9
Shield, Casting	N/A	4	1
Shield, Clip On	12-32872-02	1	10
Shield, Rear	70-28068-01	1	5
VR326-D4 (1024 x 768 @72 Hz, Southern Hemisphere, 120/240V)	VR326-D4	1	N/A
VR326-DA (1024 x 768 @72 Hz, Northern Hemisphere, 120/240V)	VR326-DA	1	N/A
Washer, Flat SST	N/A	3	5
Washer, Lock	N/A	4	7

READER'S COMMENTS

VR326 COLOR MONITOR
Illustrated Parts Breakdown
EK-VR326-IP-001

1. How did you use this manual? (Circle your response.)

- (a) Installation (c) Maintenance (e) Training
(b) Operation/Use (d) Programming (f) Other (Please specify) _____

2. Did the manual meet your needs? Yes No Why? _____

3. Please rate the manual on the following categories. (Circle your response.)

	Excellent	Good	Fair	Poor	Unacceptable
Accuracy	5	4	3	2	1
Clarity	5	4	3	2	1
Completeness	5	4	3	2	1
Illustrations, examples	5	4	3	2	1
Overall ease of use	5	4	3	2	1
Table of Content, Index	5	4	3	2	1

4. What things did you like *most* about this manual? _____

5. What things did you like *least* about this manual? _____

6. Please list and describe any errors you found in the manual.

Page	Description/Location of Error
_____	_____
_____	_____
_____	_____
_____	_____

7. Which of the following most clearly describes your job ? (Circle your response.)

- (a) Administrative Support (e) System Manager (i) Education/Trainer
(b) Manager/Supervisor (f) Computer Operator (j) Sales/Marketing
(c) Scientist/Engineer (g) Software Support (k) Other (Please specify) _____
(d) Programmer/Analyst (h) Hardware Support

OPTIONAL INFORMATION

Name _____ Job Title _____

Street _____ Company _____

City _____ Department _____

State/Country _____ Telephone Number _____

Postal (ZIP) Code _____ Date _____

THANK YOU FOR YOUR COMMENTS AND SUGGESTIONS.

Please do not use this form to order manuals. Contact your representative at Digital Equipment Corporation or (in the USA) call our DECdirect™ department at this toll-free number : 800-258-1710