

KN31x CPU INSTALLATION CARD

Use this card as a quick reference to install a KN31x CPU module in AlphaServer DS20E / AlphaStation DS20E systems.

WARNING: CPU modules and memory modules have parts that operate at high temperatures. Wait 2 minutes after power is removed before touching any module.

CAUTION: Wear an antistatic wrist strap when working on this system.

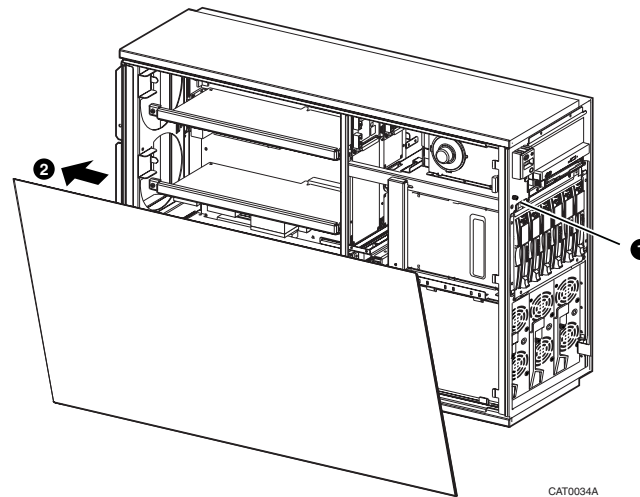
Overview

- Open the cabinet.
- Locate the CPU slot.
- Install the CPU module.
- Verify the installation.

Open the Cabinet.

1. Shut down the operating system and power down the system.
2. Unplug the power cord(s).
3. Remove the cover to gain access to the system card cage. See Figure 1.
 - a. Open the front bezel.
 - b. Loosen the captive screw ❶ attaching the side panel to the chassis.
 - c. Remove the panel with a rearward motion ❷.

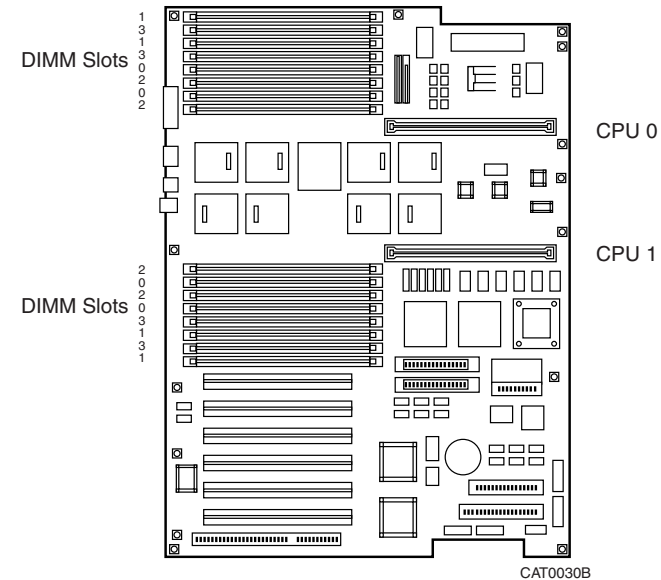
Figure 1 Opening the Cabinet



Locate the CPU Slot.

Always place the first CPU in slot 0; use slot 1 when you are adding a second CPU.

Figure 2 CPU Slot Locations on System Board



Install the CPU Module.

1. Remove the processor from its shipping container.
2. Slide the CPU module into the CPU slot. Be sure the edges of the module are in both guides so that it correctly lines up with the slot on the system board.
3. Firmly press the module into the connector.
4. Secure the module to the card cage frame with the two screws on the handle.
5. Plug the dc power harness into the CPU.
6. Replace the cover and the bezel.
7. Plug the ac power cord(s) in.

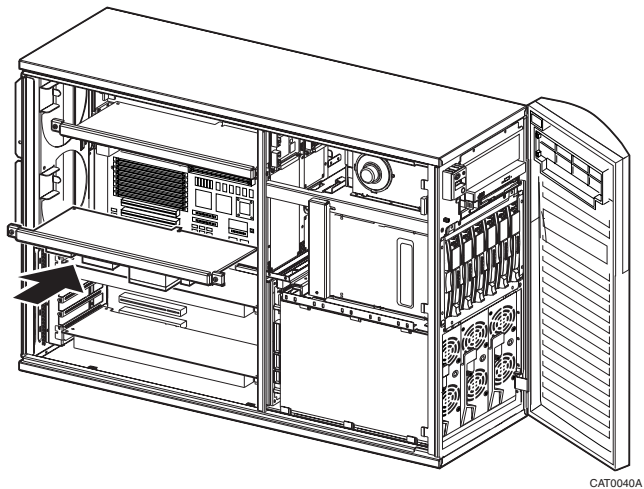
Verify the Installation.

- Issue the **show CPU** command to display the status of the CPU modules.

Part numbers for options can be found on the Internet. Using a Web browser, follow links to the appropriate AlphaServer DS20E / AlphaStation DS20E supported options list from the URL:

<http://www.digital.com/info/alphaserver/products.html>

Figure 3 CPU Installation



CAT0040A